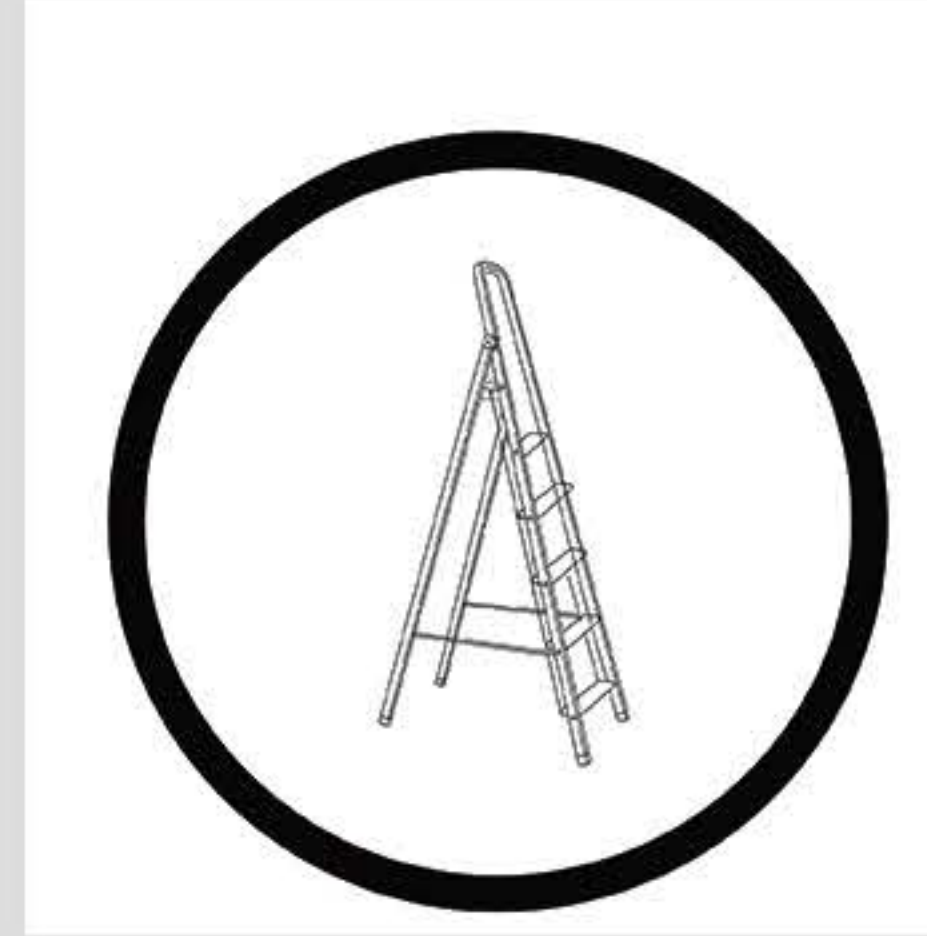
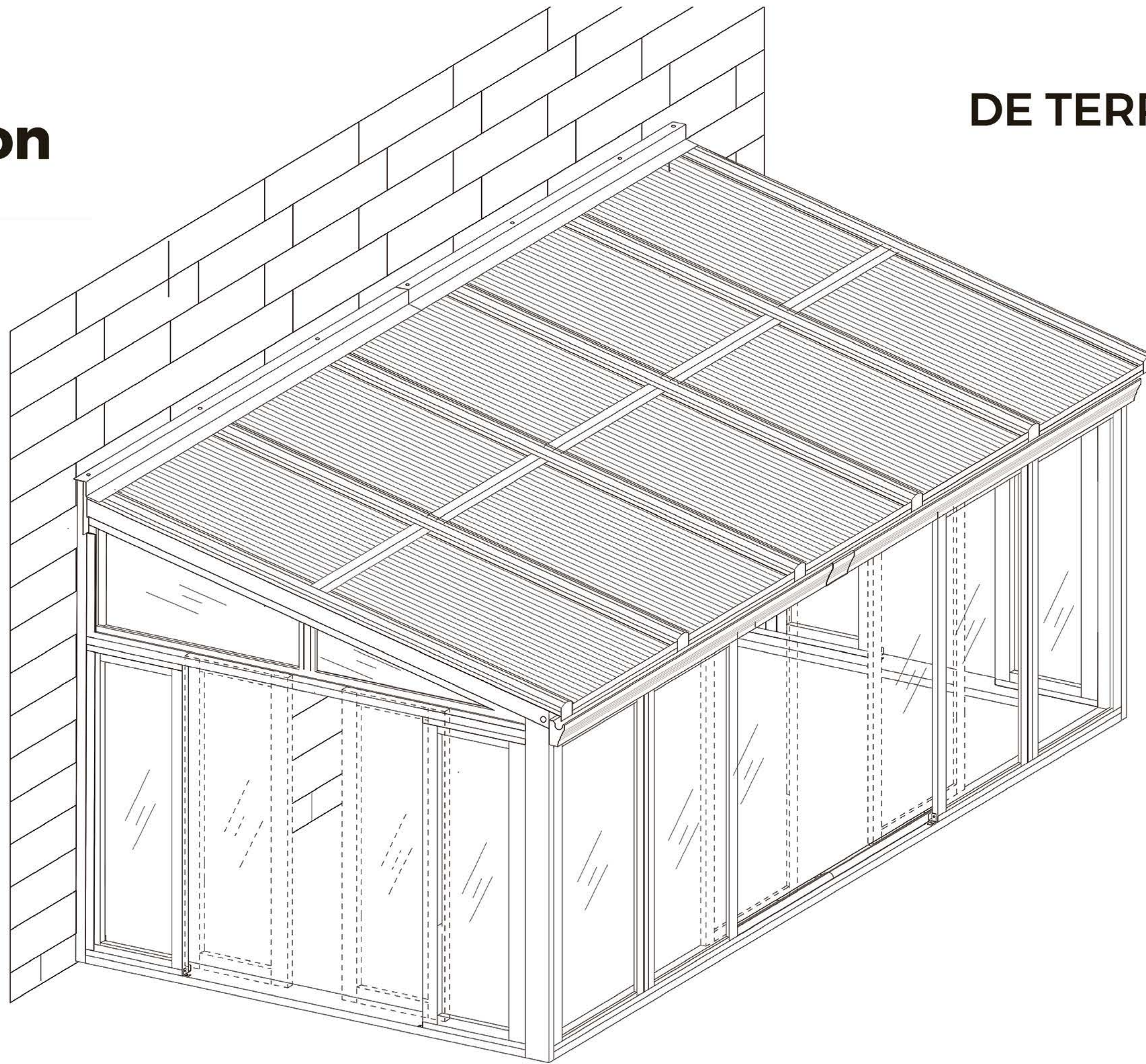




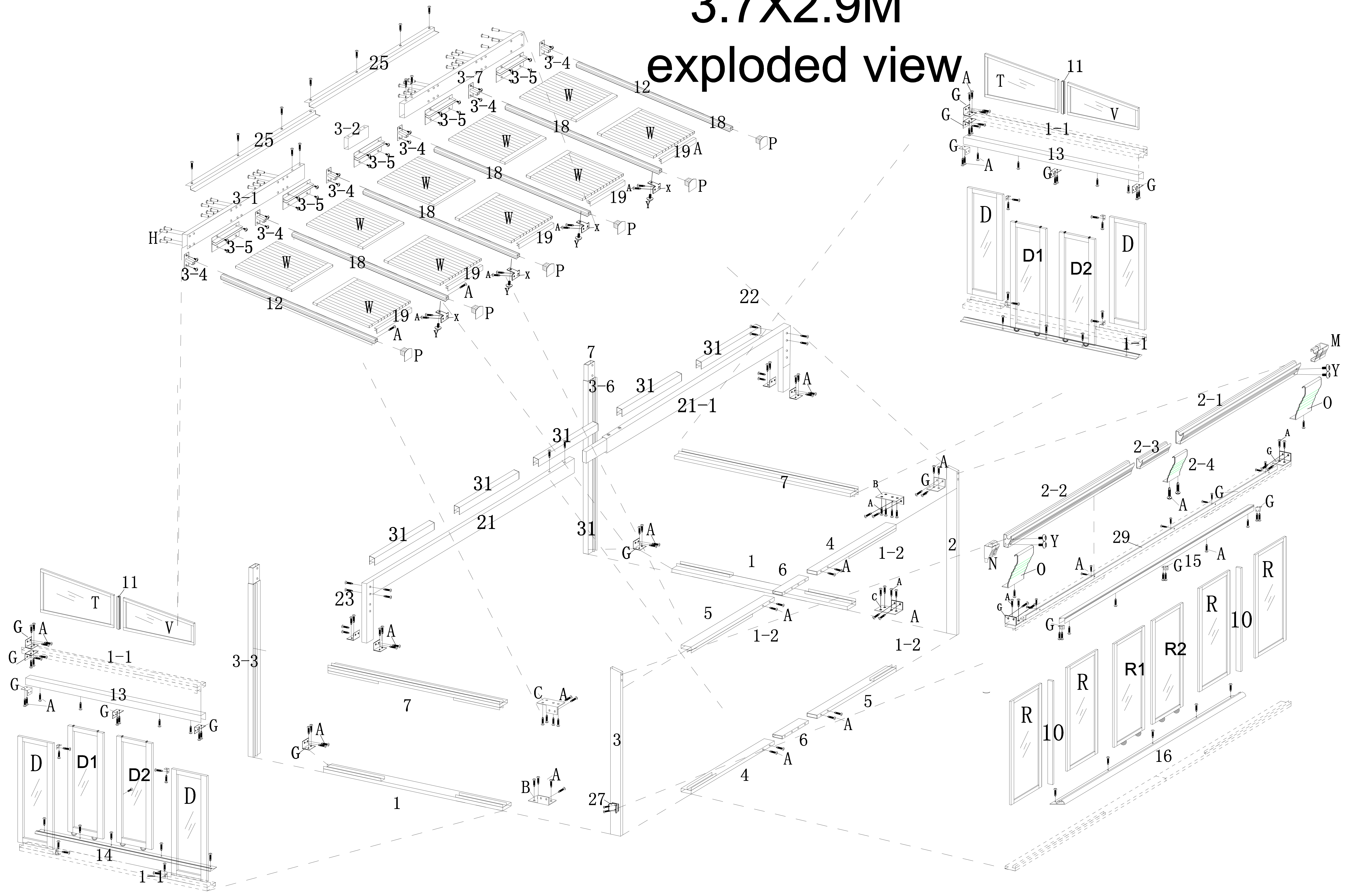
**Steward & Son**  
GARDEN

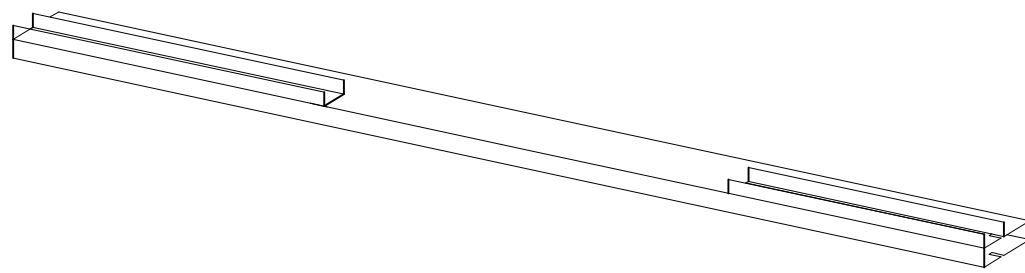
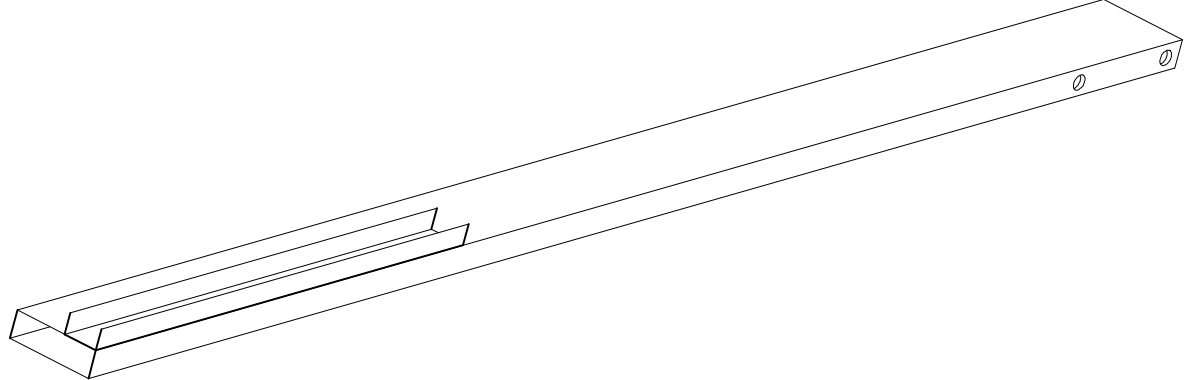
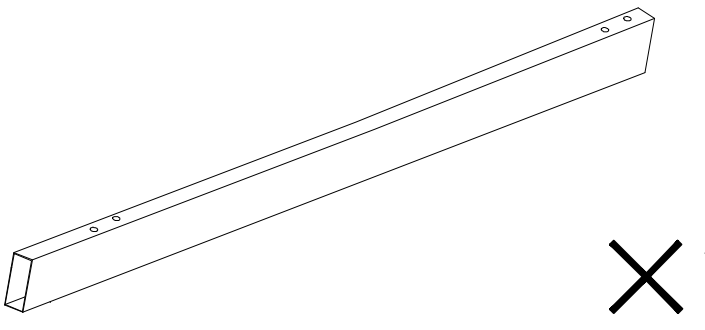
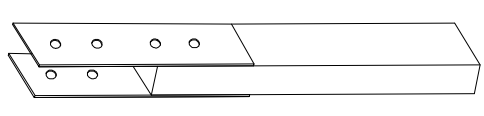
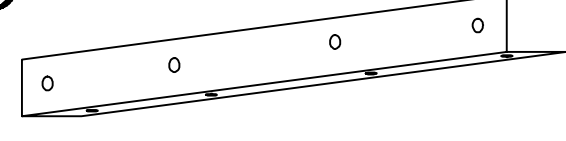
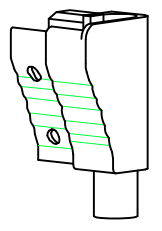
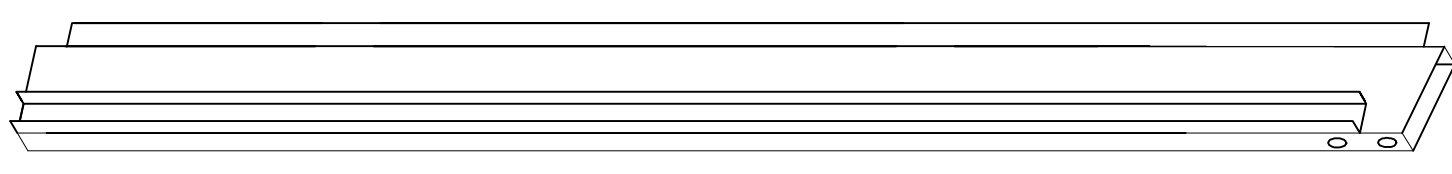
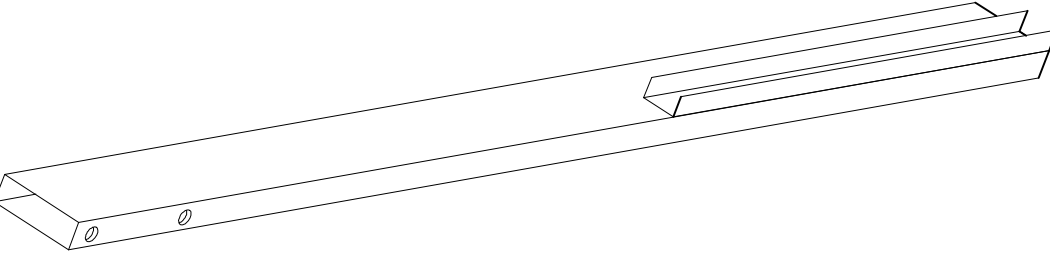
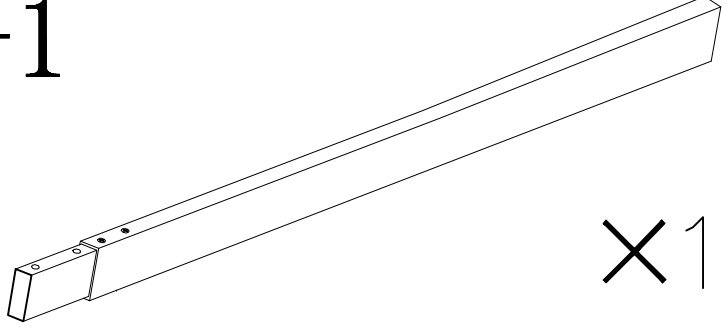
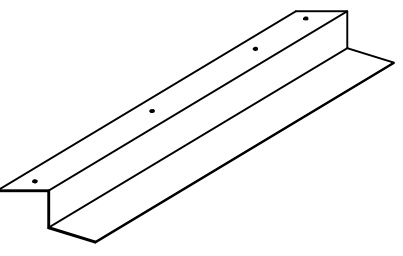
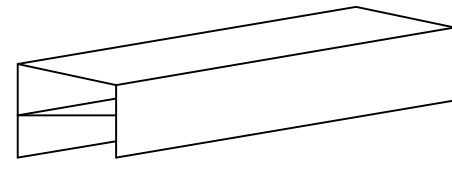
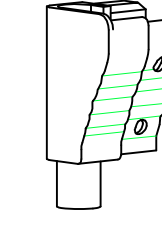
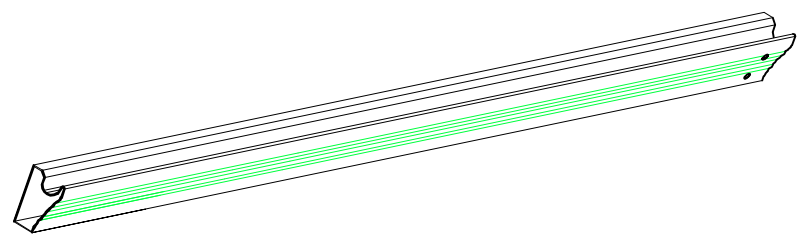
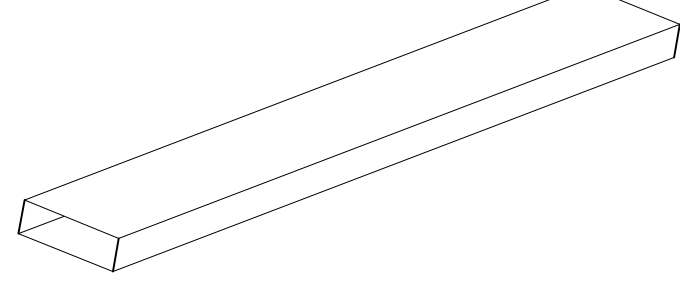
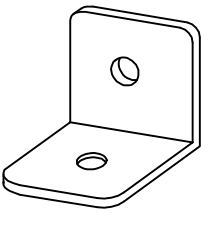

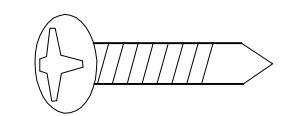
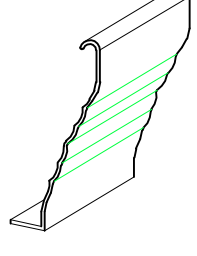
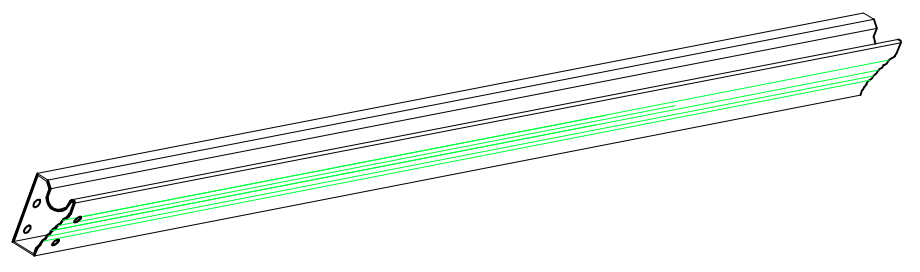
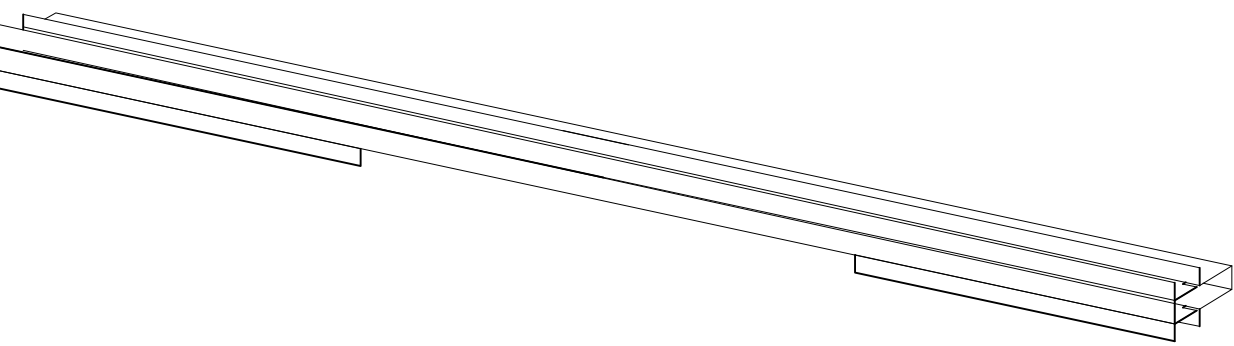
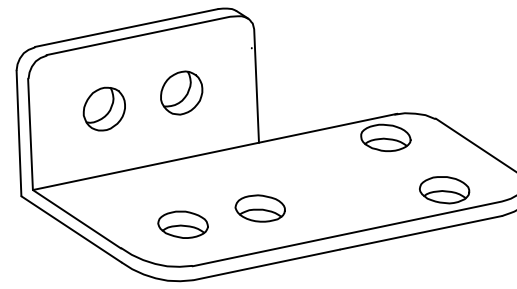
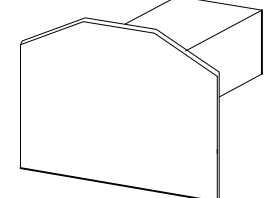
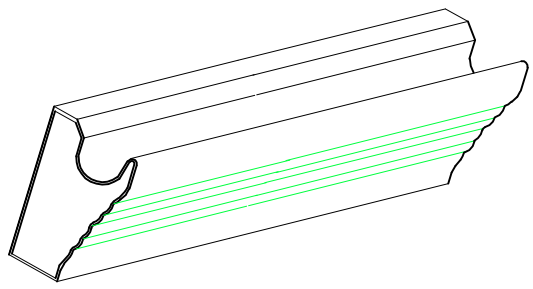
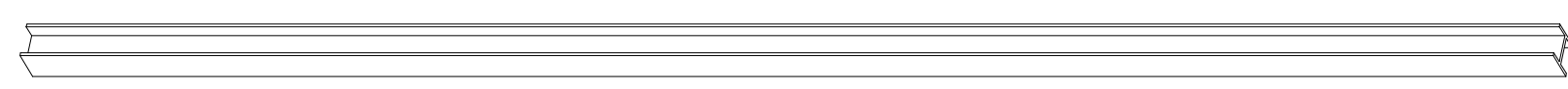
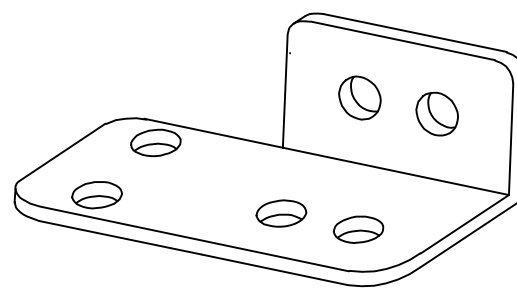
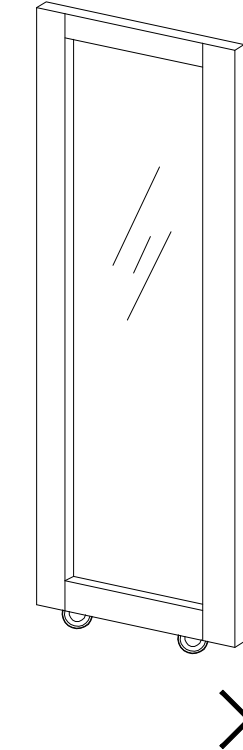

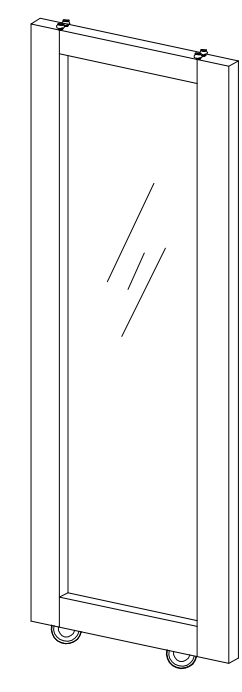

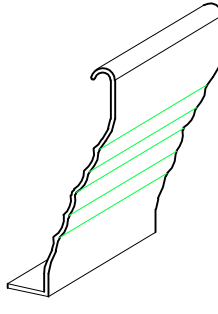
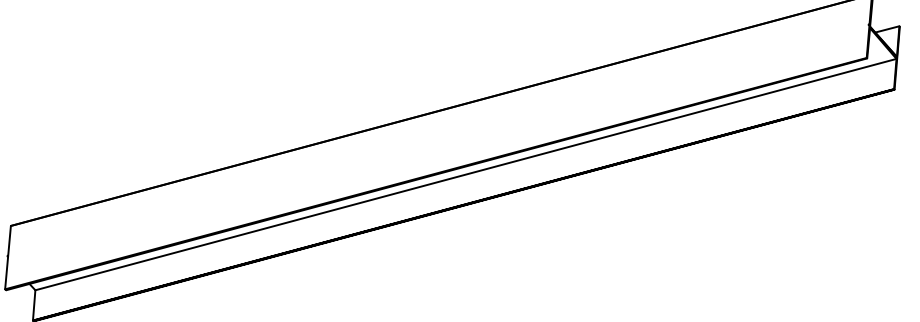
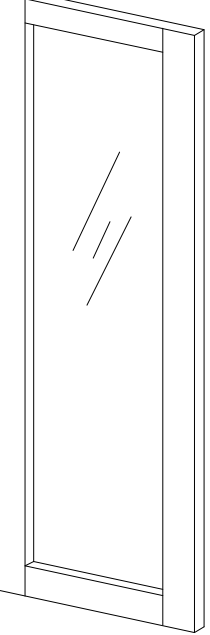
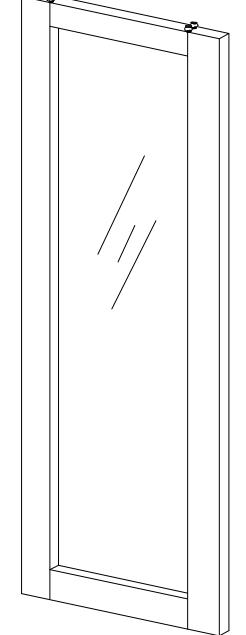
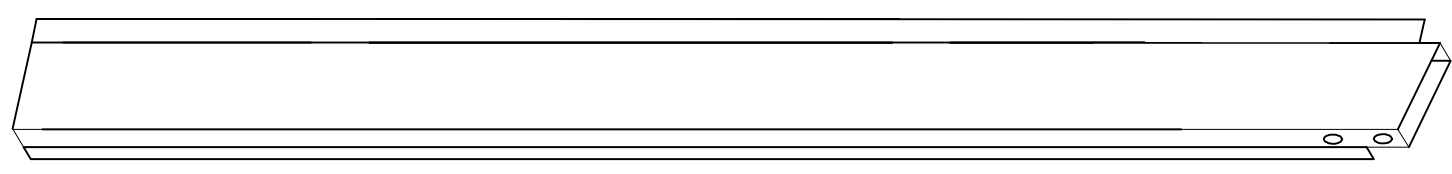
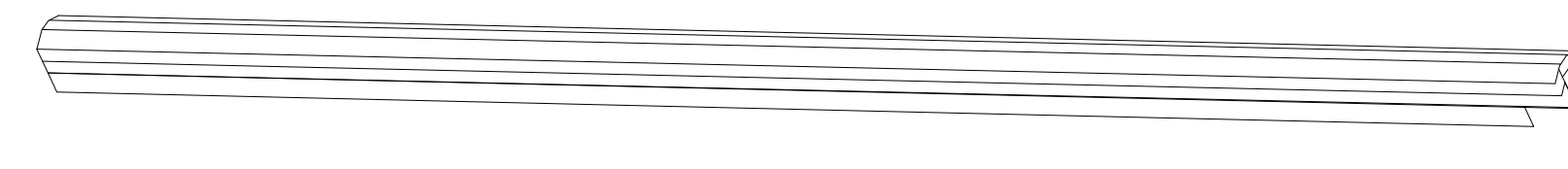
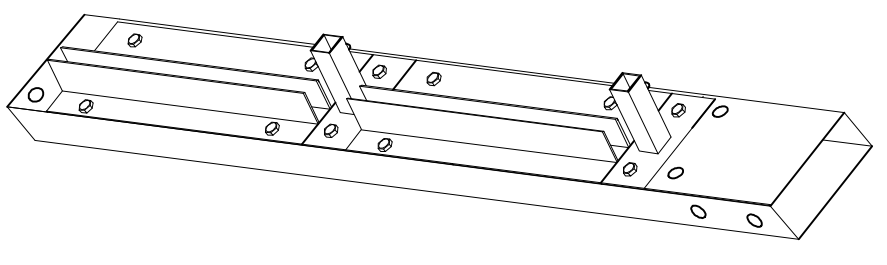
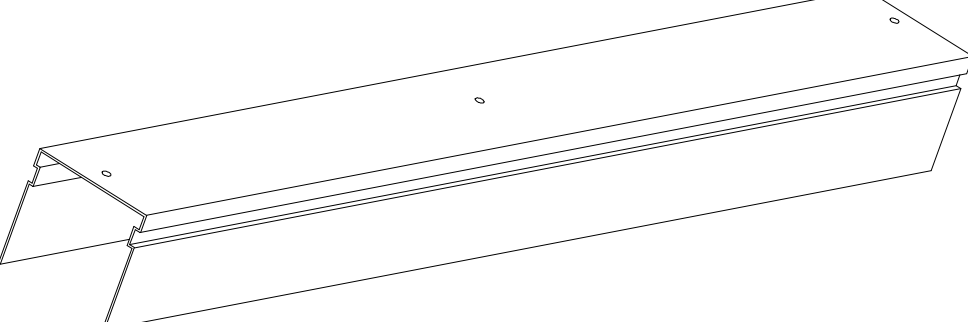
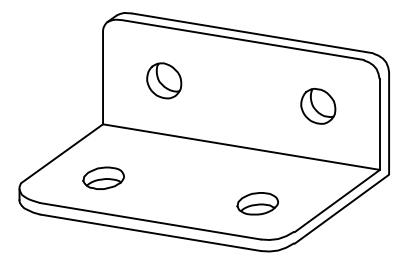
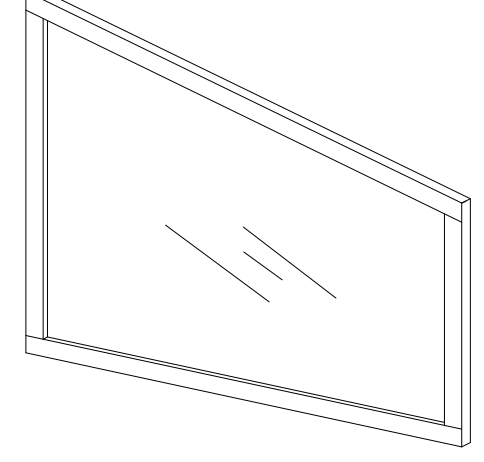
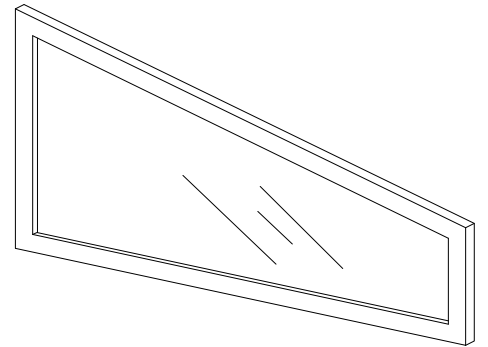
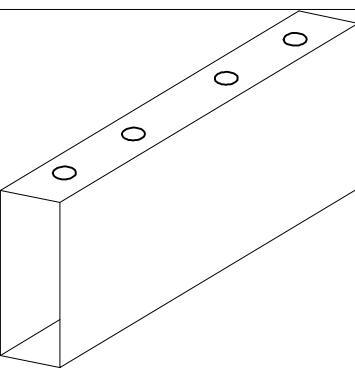
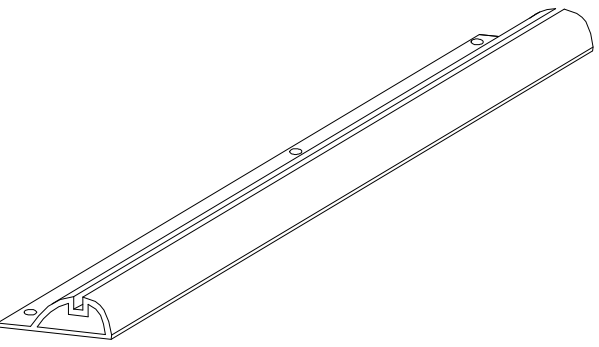
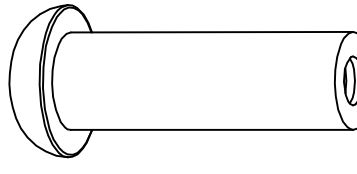
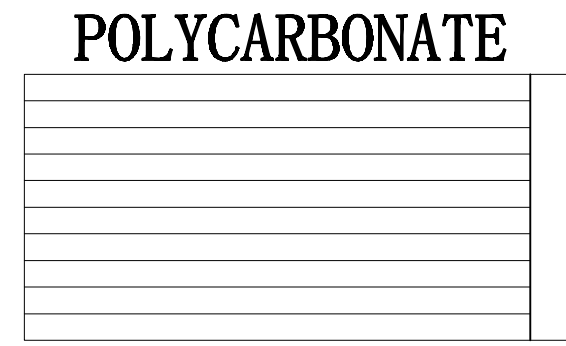
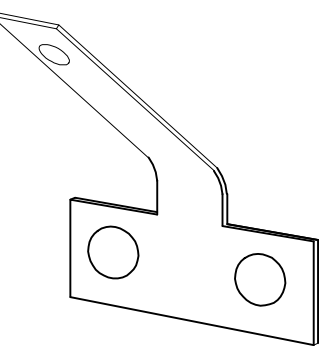
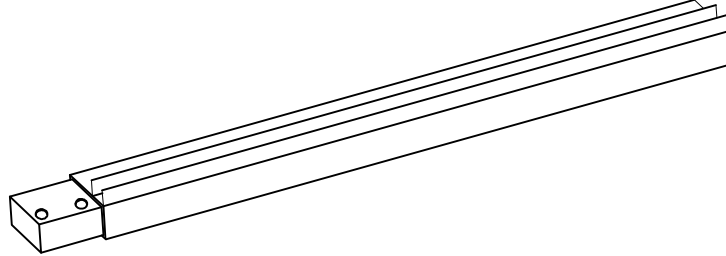
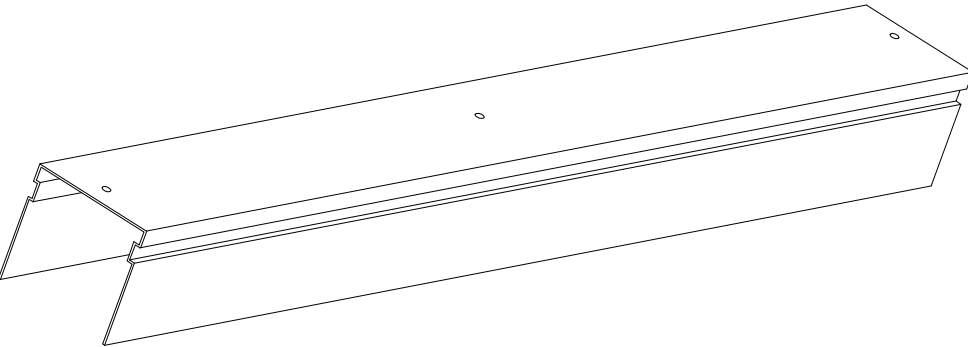
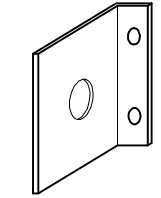
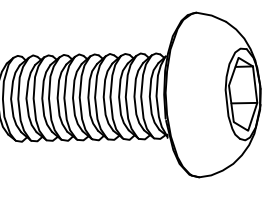
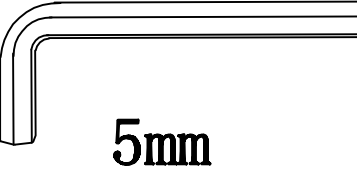
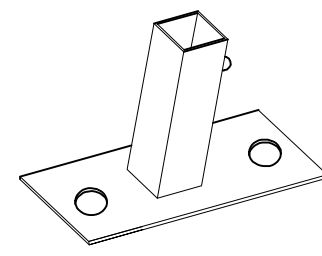
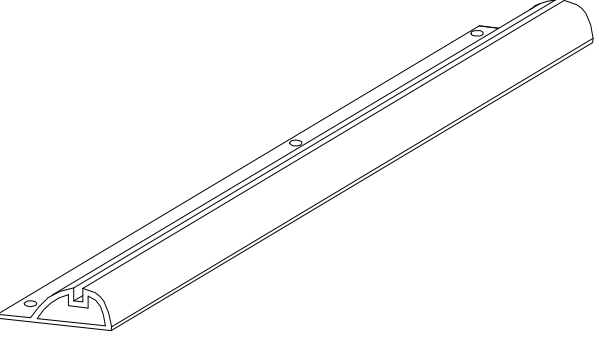
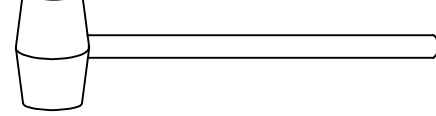

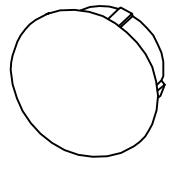
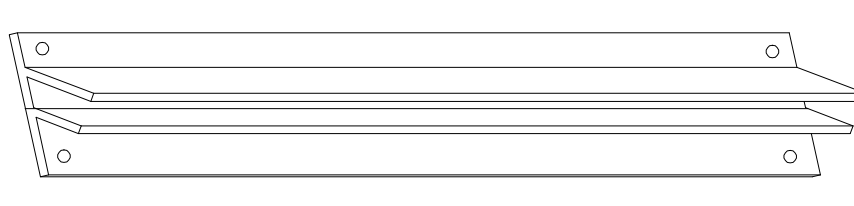
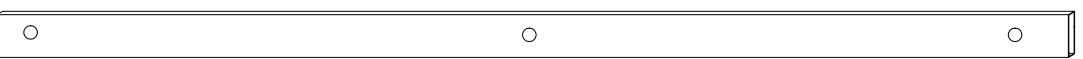
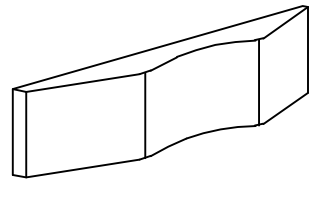
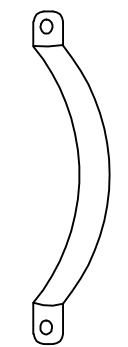
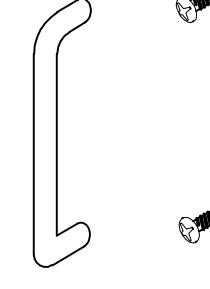
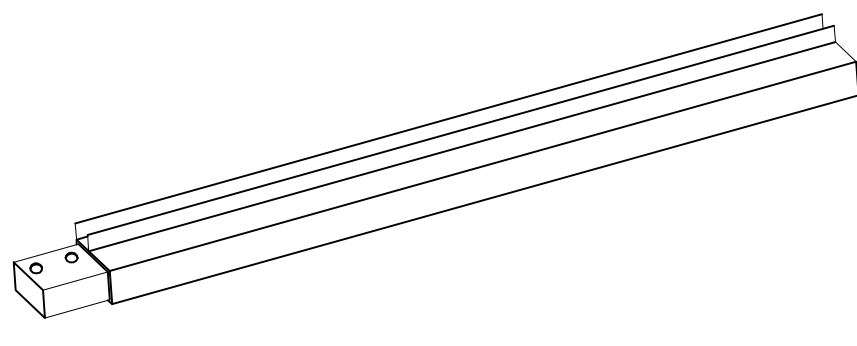
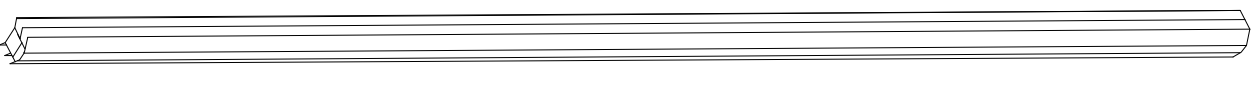
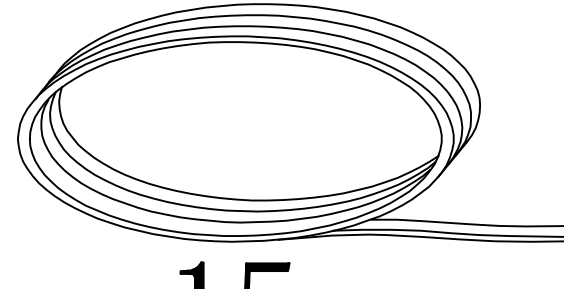
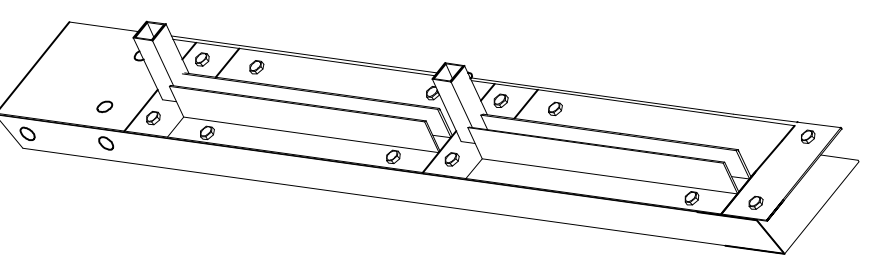
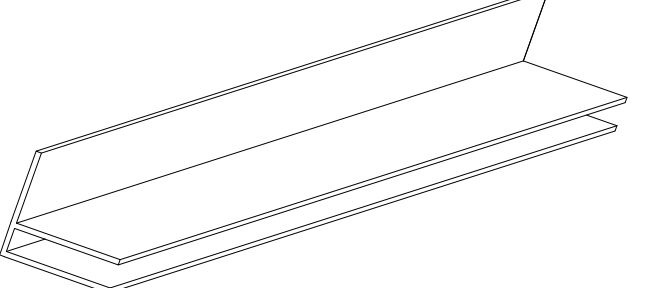
**SUN ROOM  
DE TERRAZA DE CRISTAL  
GLASTERRASSE  
GLASTERRASS  
LASITERASSI**

**3,7 M × 2,9M**

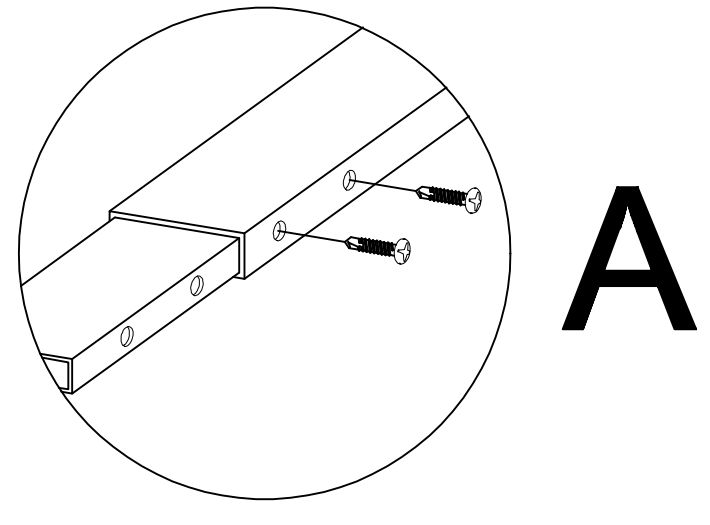
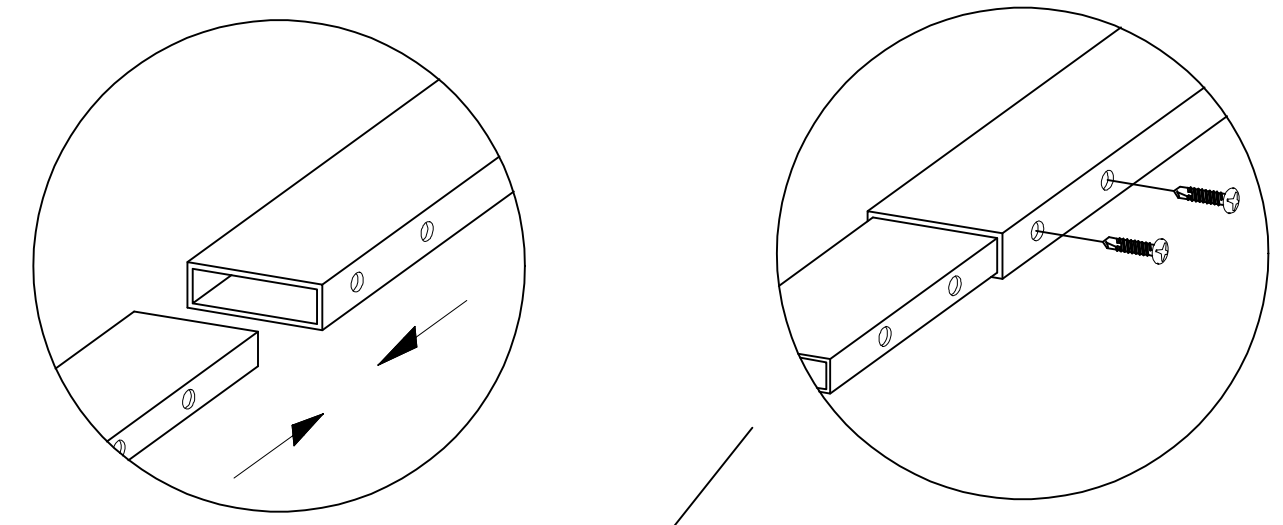


# 3.7X2.9M exploded view

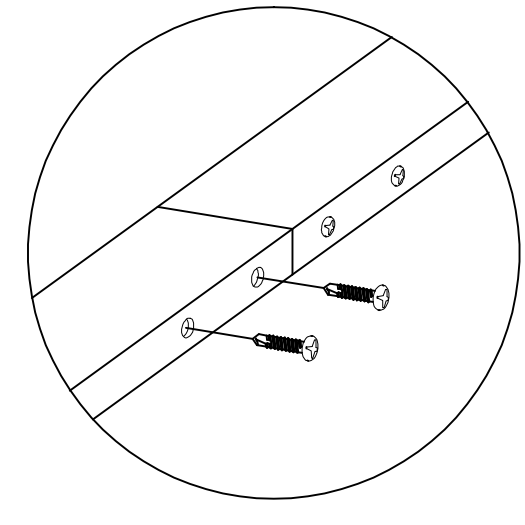
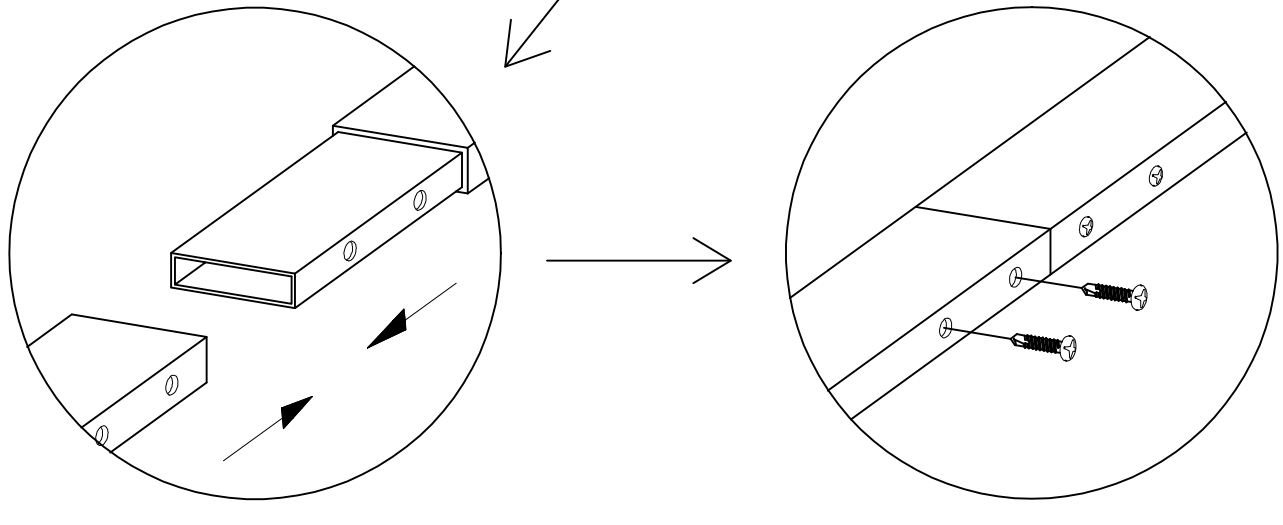


1	 ×2	4	 ×2	21	 ×1	23	 ×2	29	 ×2	M	 ×1		
2	 ×1	5	 ×2	21-1	 ×1	25	 ×2	31	 ×5	N	 ×1		
2-1	 ×1	6	 ×2	F	 ×12	26	 ×50M	A	 ×300	O	 ×2		
2-2	 ×1	7	 ×2	B	 ×2	P	 ×6						
2-3	 ×1	10	 ×2	C	 ×2	D1	 ×2	D2	 ×2	R1	 ×1	R2	 ×1
2-4	 ×1	11	 ×2	D	 ×4	R	 ×4						
3	 ×1	12	 ×2										
3-1	 ×1	13	 ×2	G	 ×29	T	 ×2	V	 ×2				
3-2	 ×1	14	 ×2	H	 ×8	W	 ×10	X	 ×4				
3-3	 ×1	15	 ×1	I	 ×10	Y	 ×16	Z	 5mm ×2				
3-4	 ×2	16	 ×1	J	 ×1	33	 5M ×1	32	 ×50				
3-5	 ×1	17	 ×6	K	 ×6	Q1	 ×6	Q	 ×6				
3-6	 ×1	18	 ×4	L	 15m ×1								
3-7	 ×1	19	 ×5										

1



A



4

5

6

B

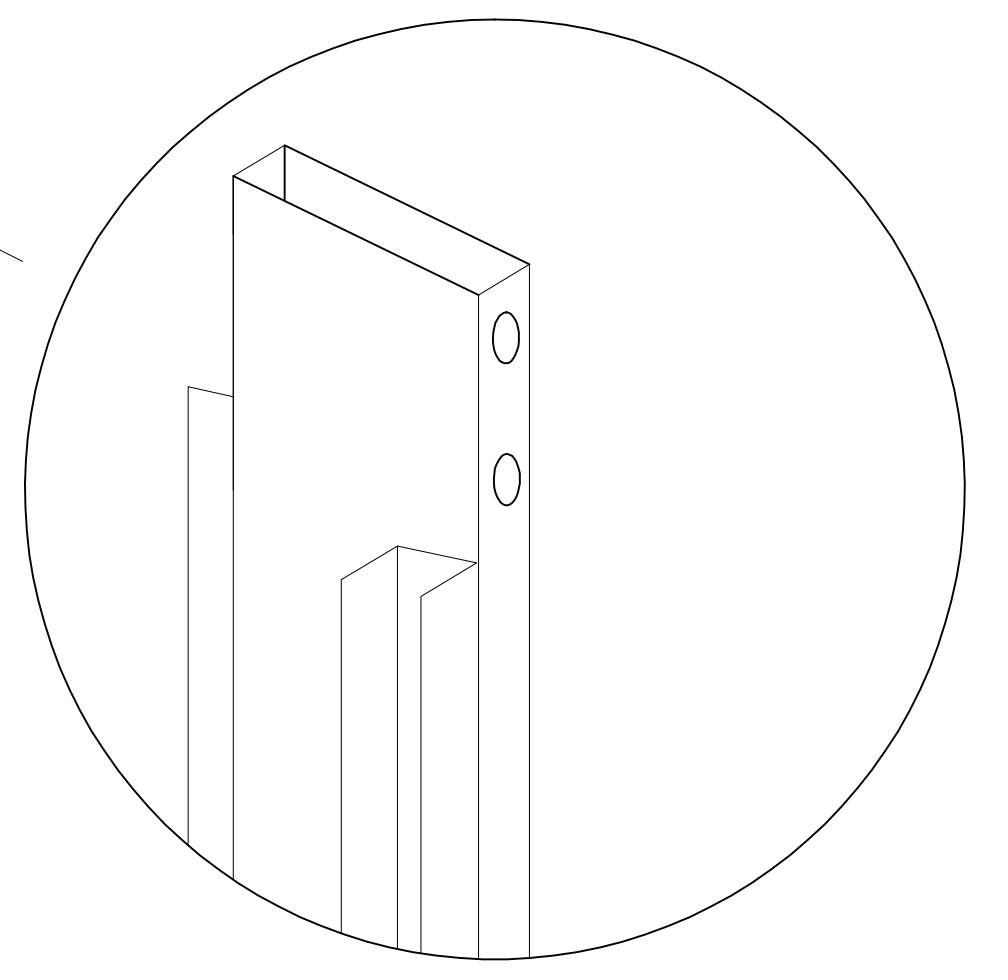
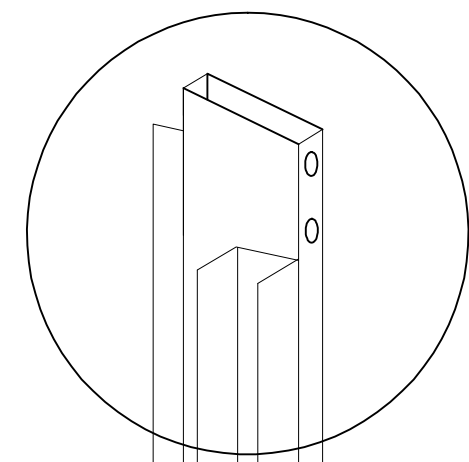
3

4

5

2

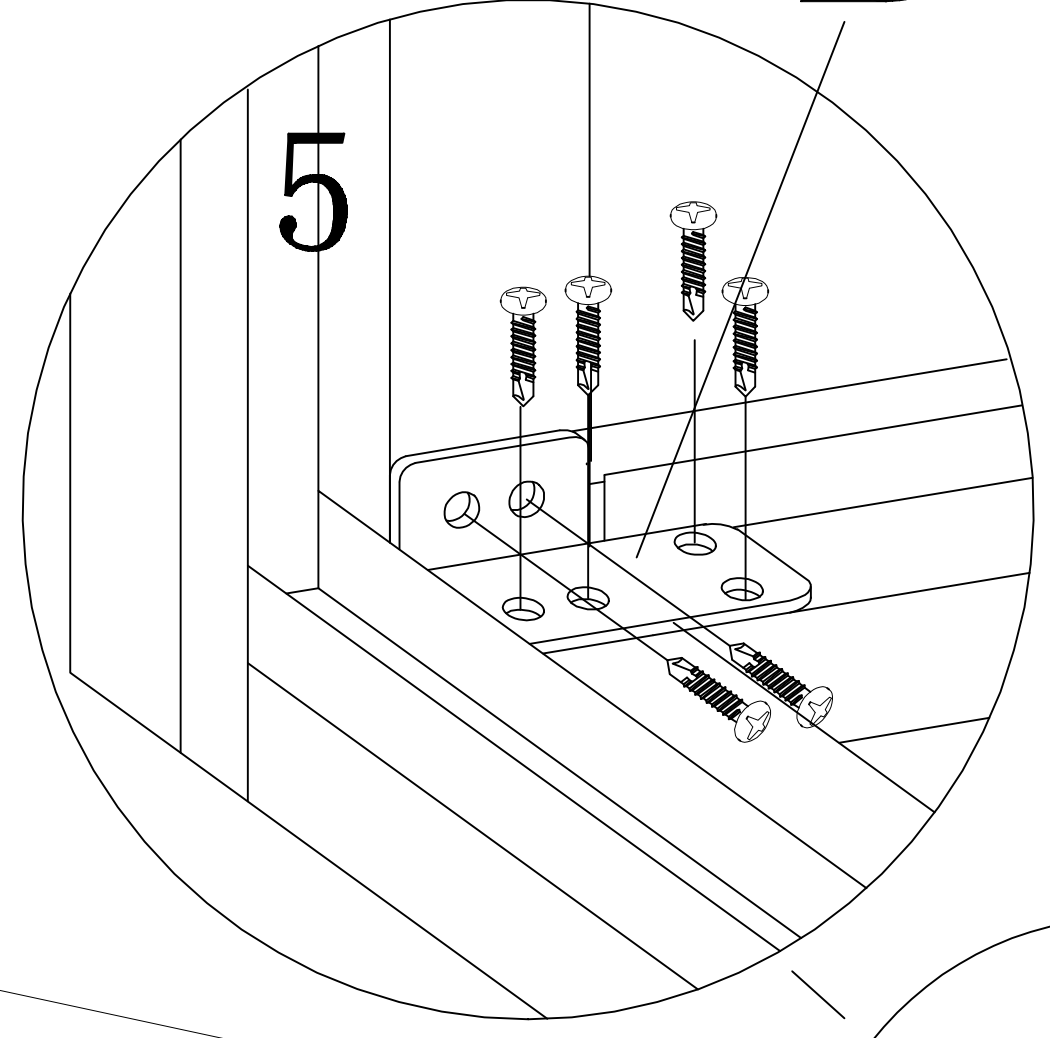
1



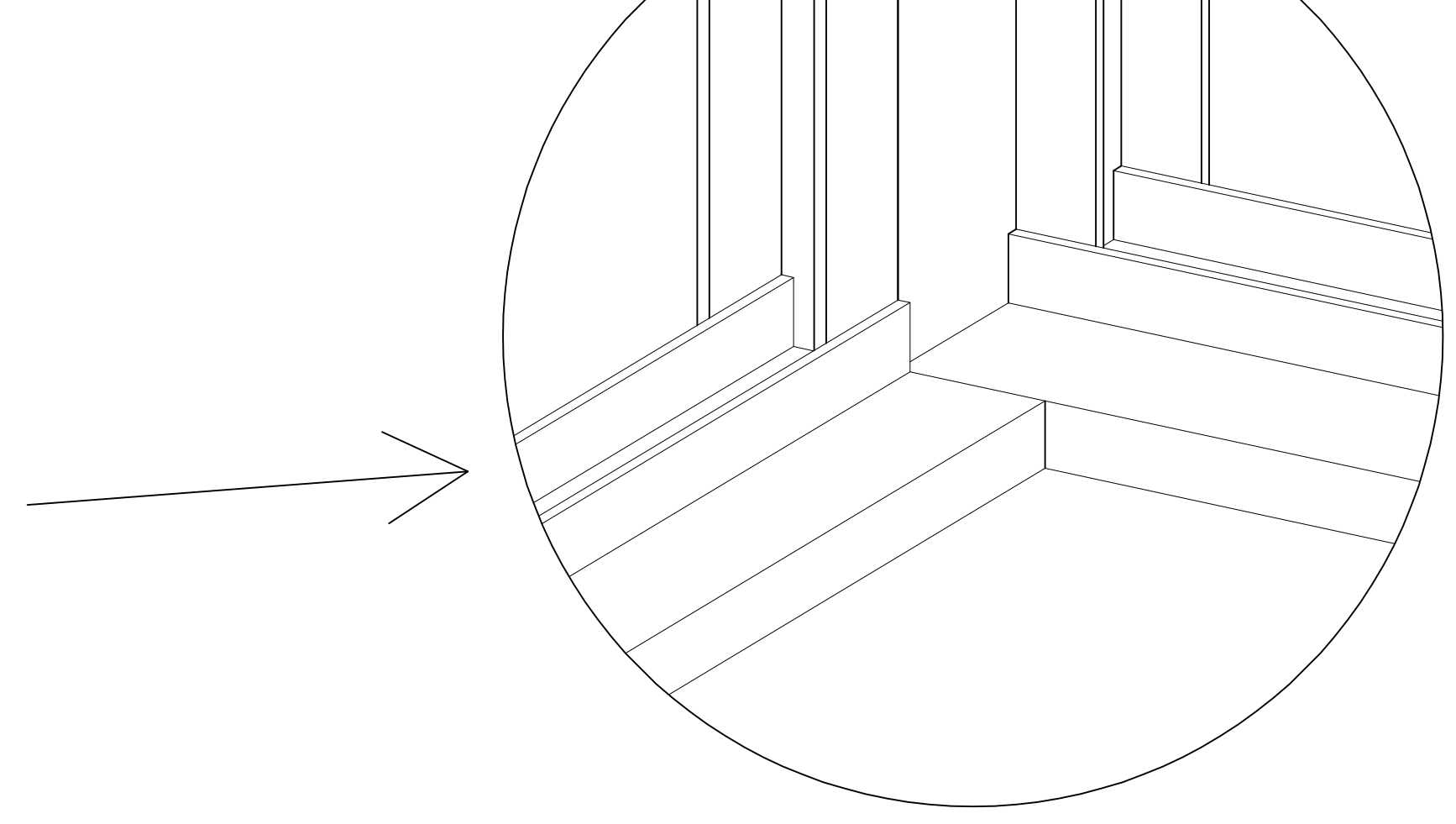
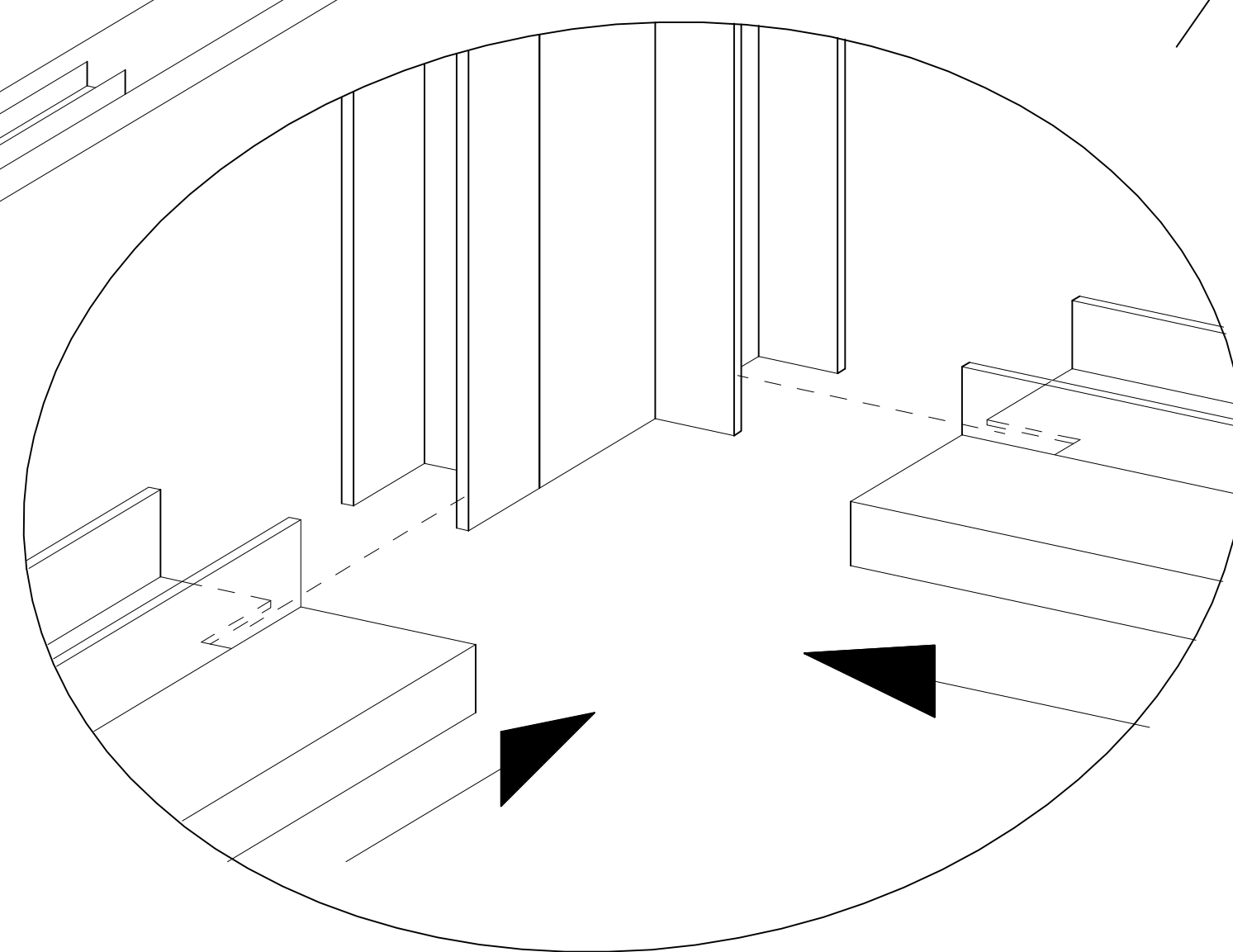
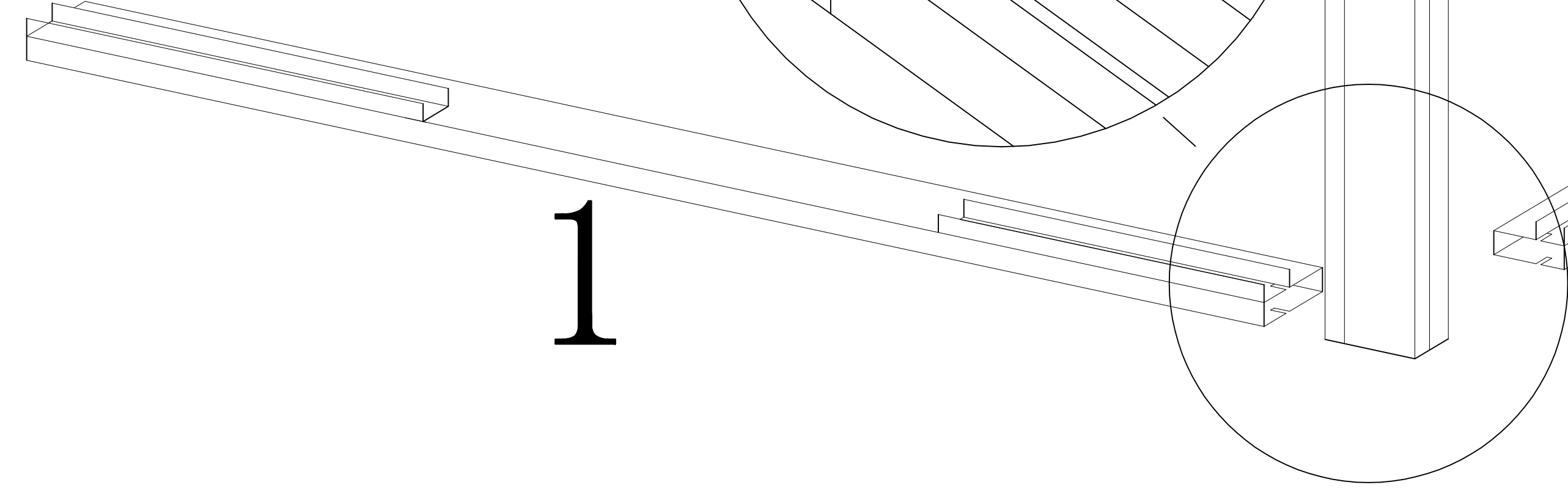
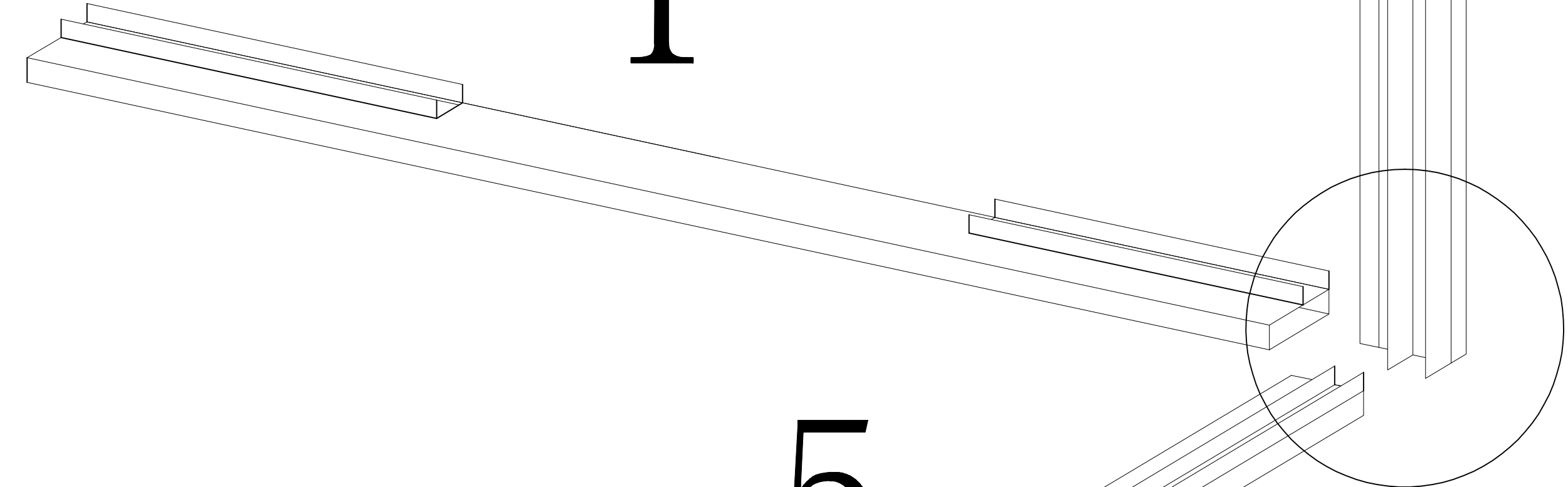
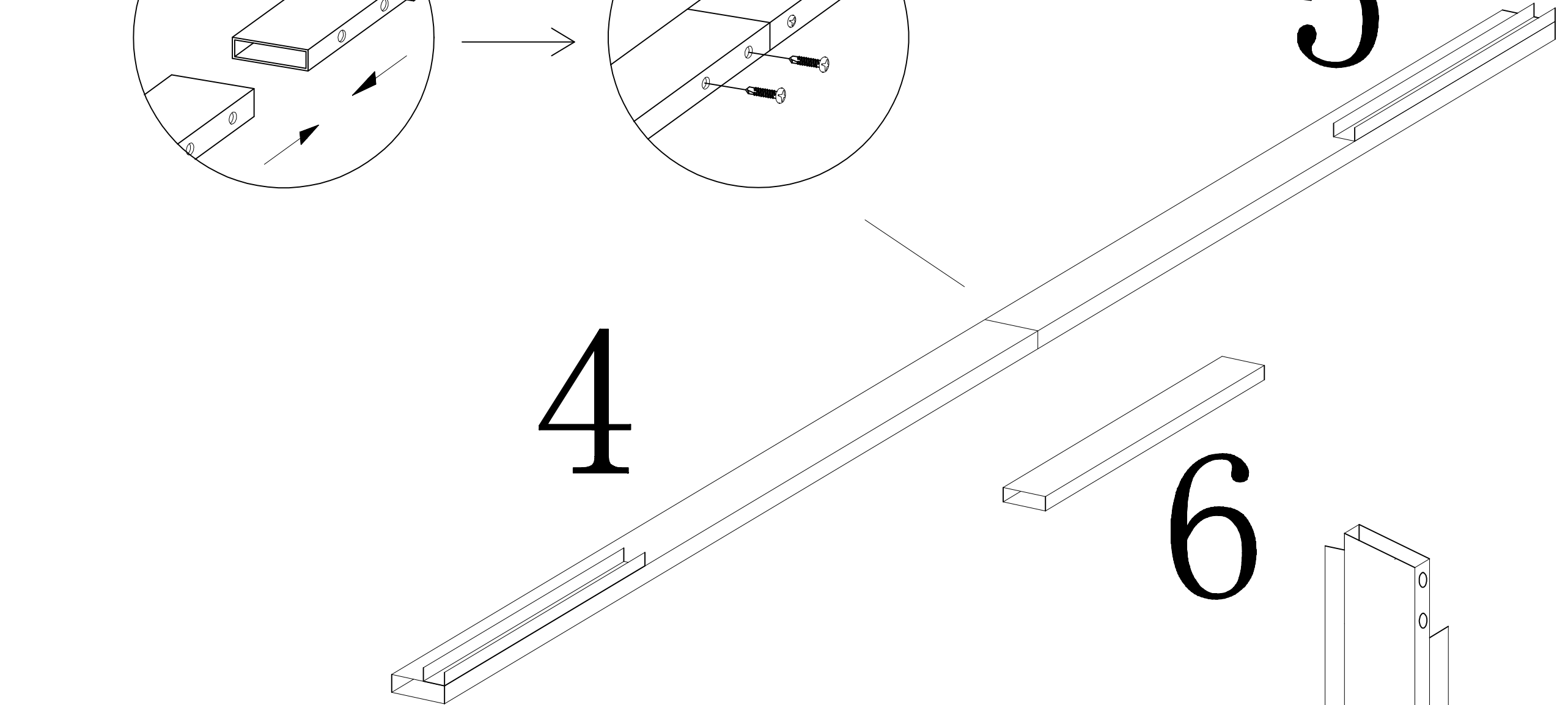
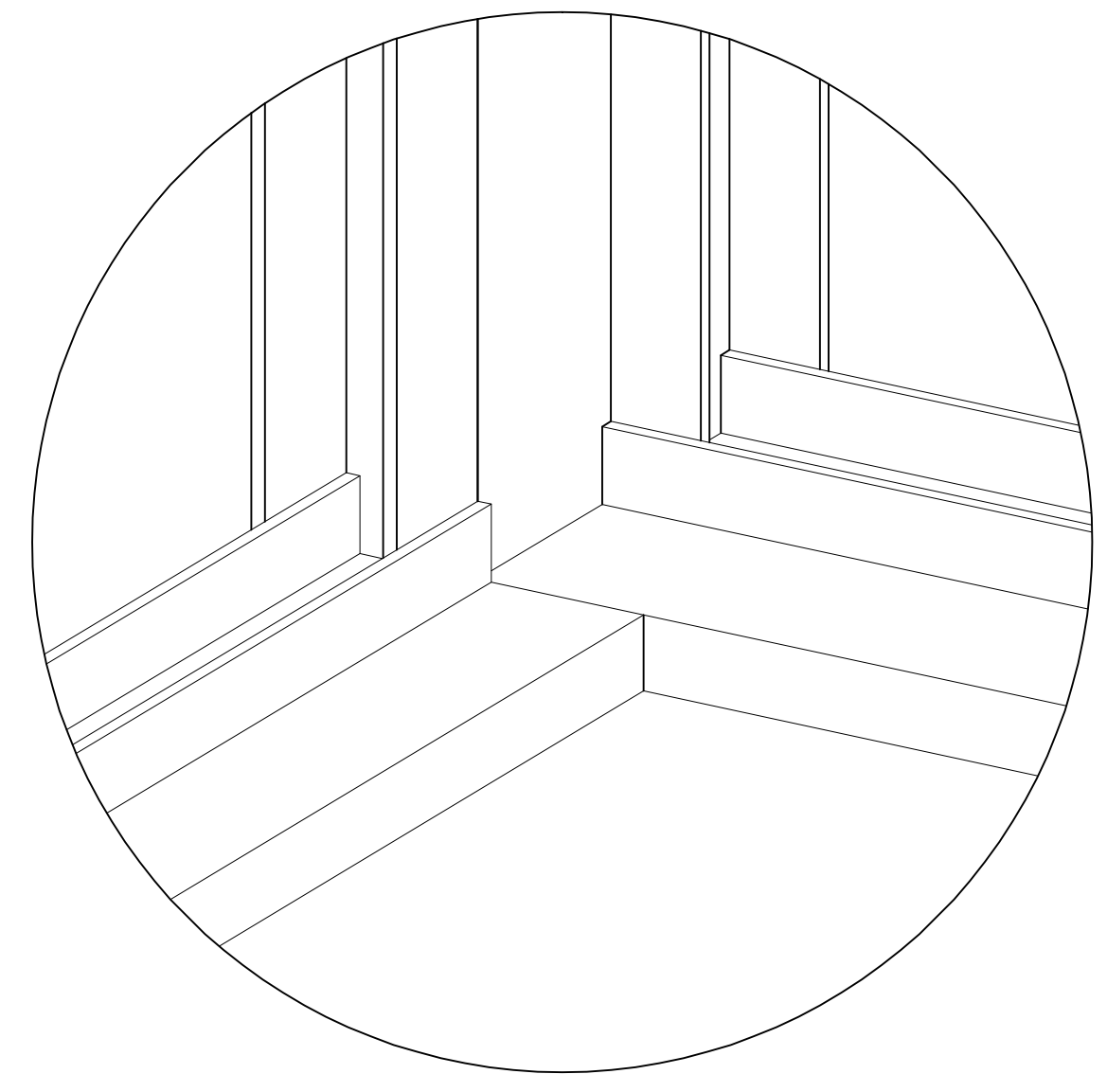
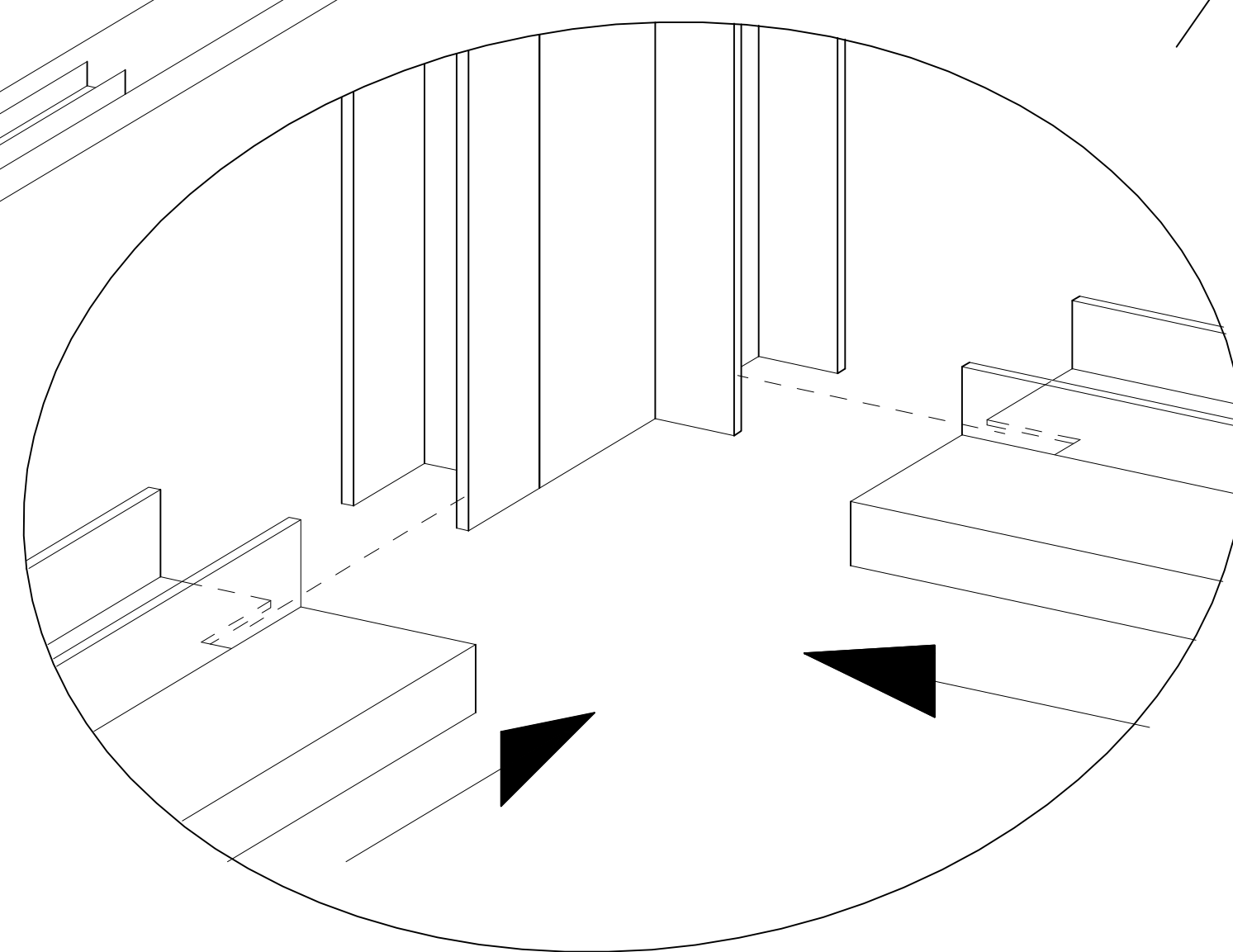
A

2

C



5



1 x2

2 x1

3 x1

A x16

4 x1

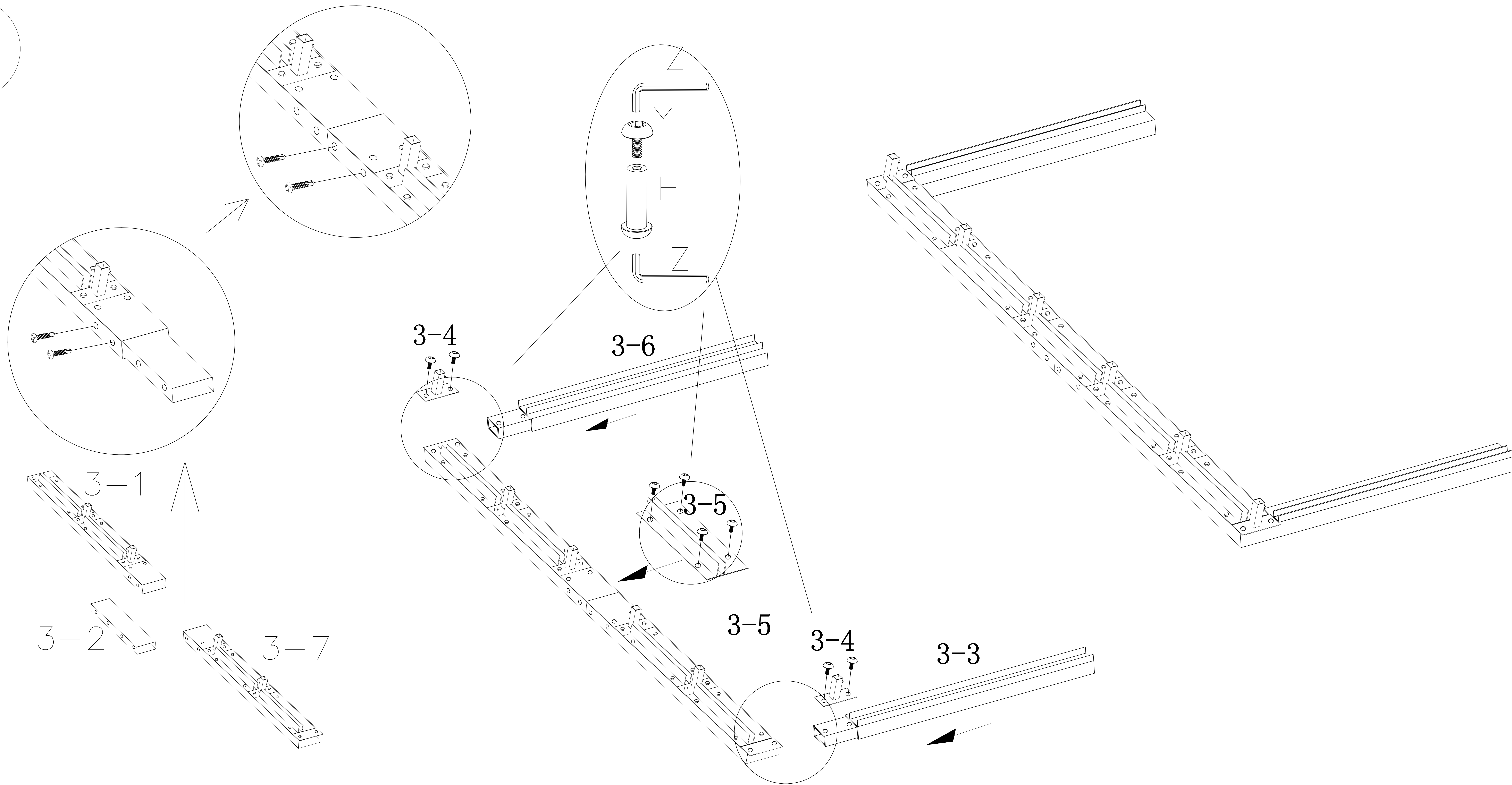
5 x1

B x1

C x1

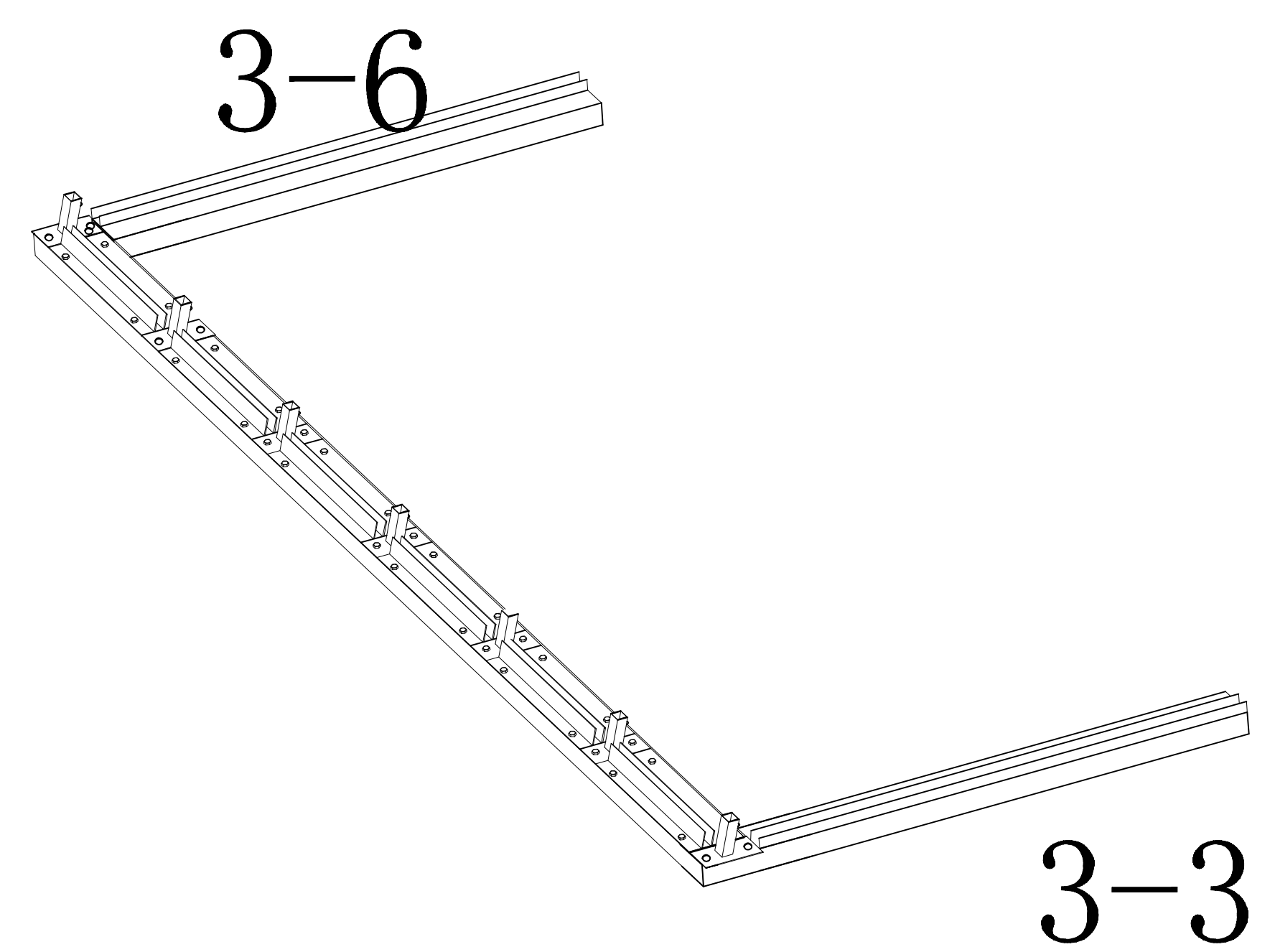
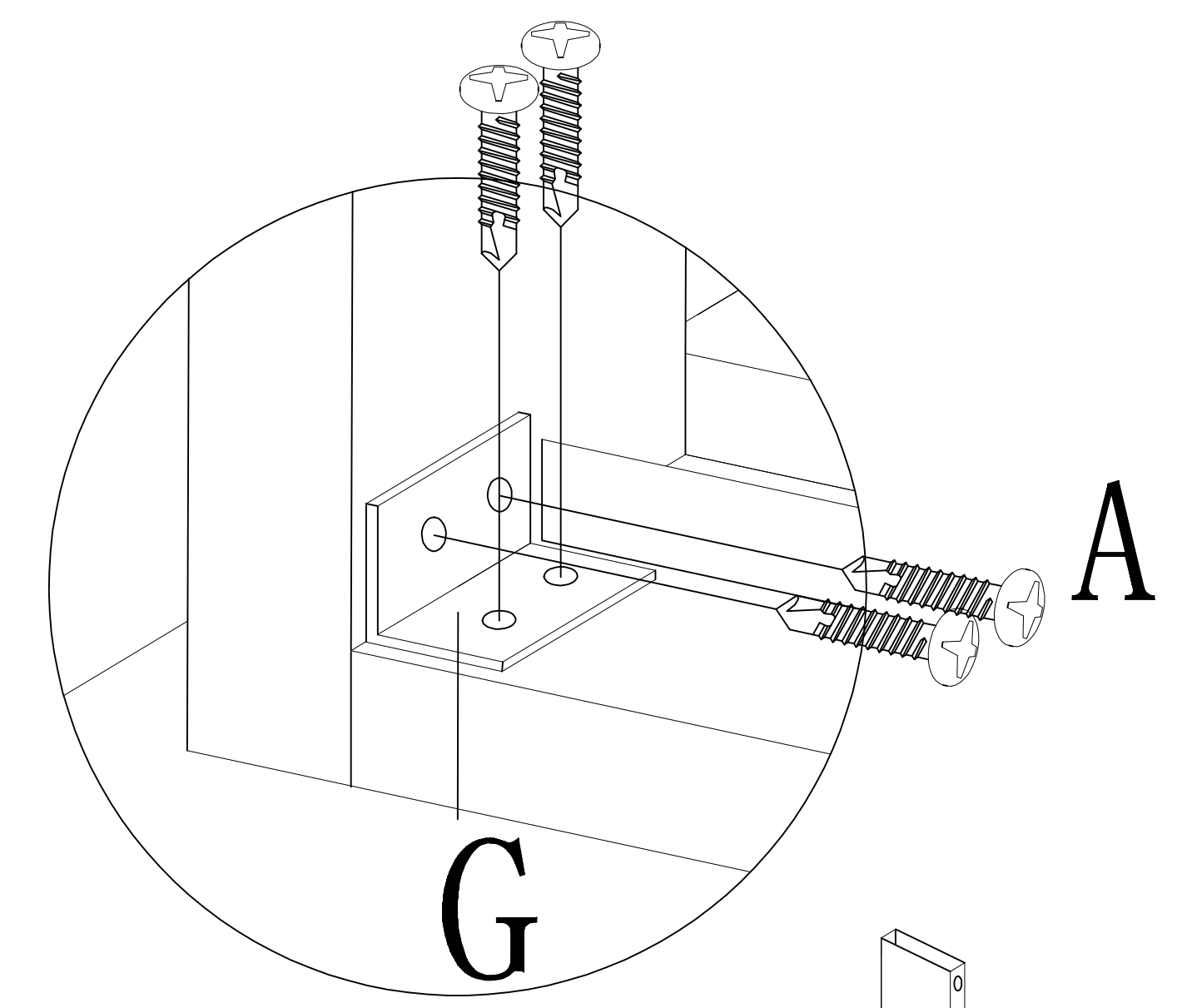
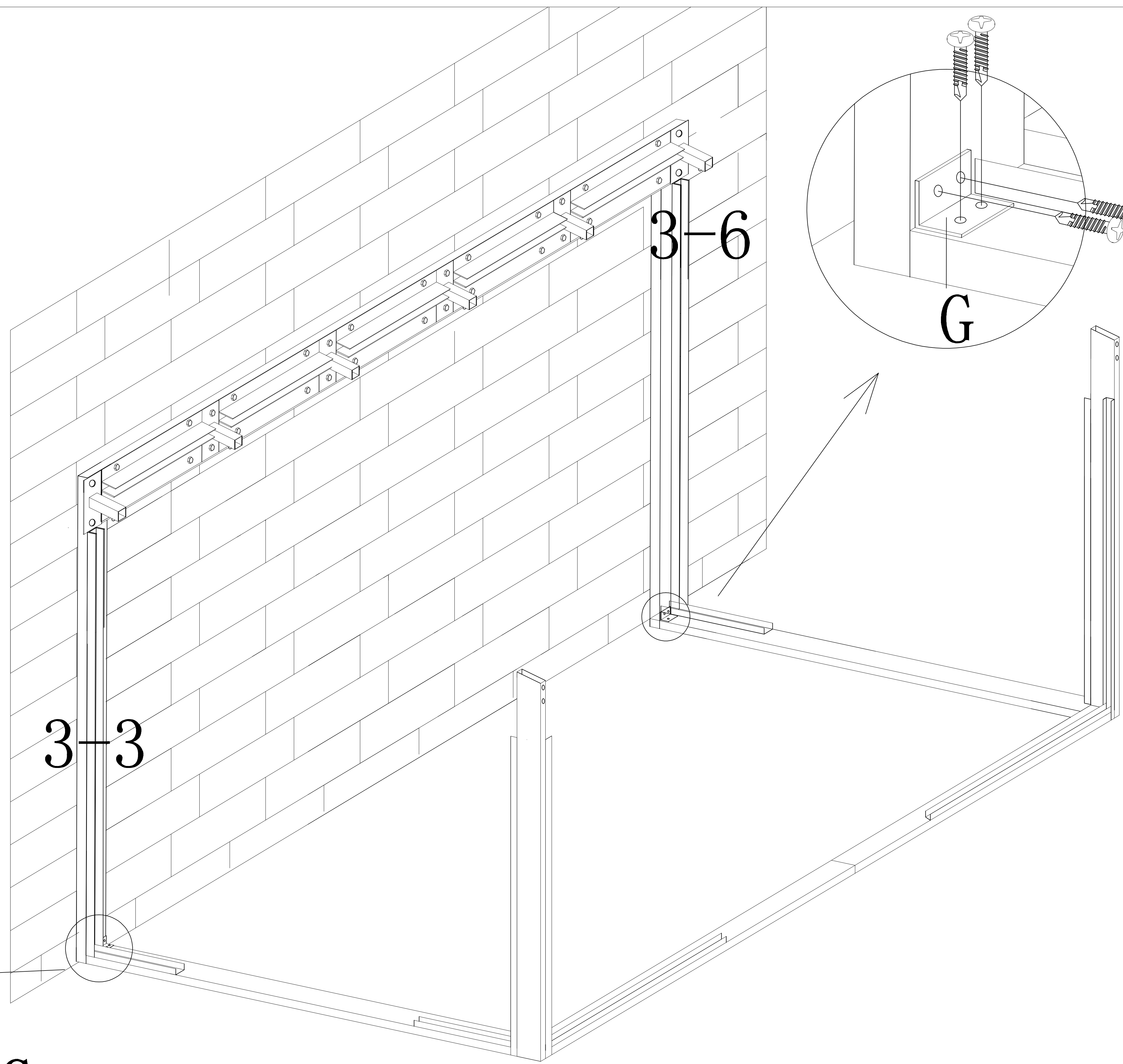
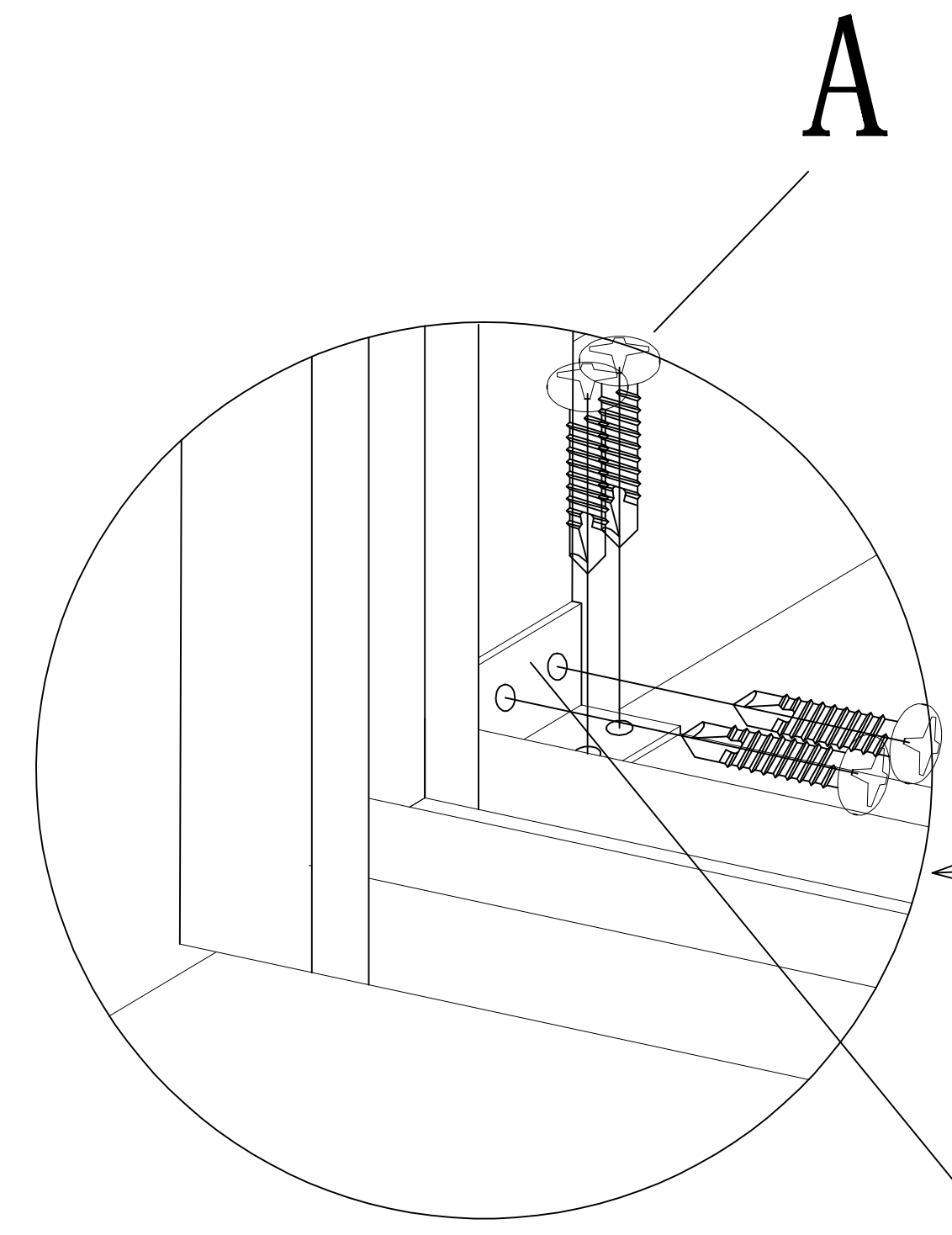
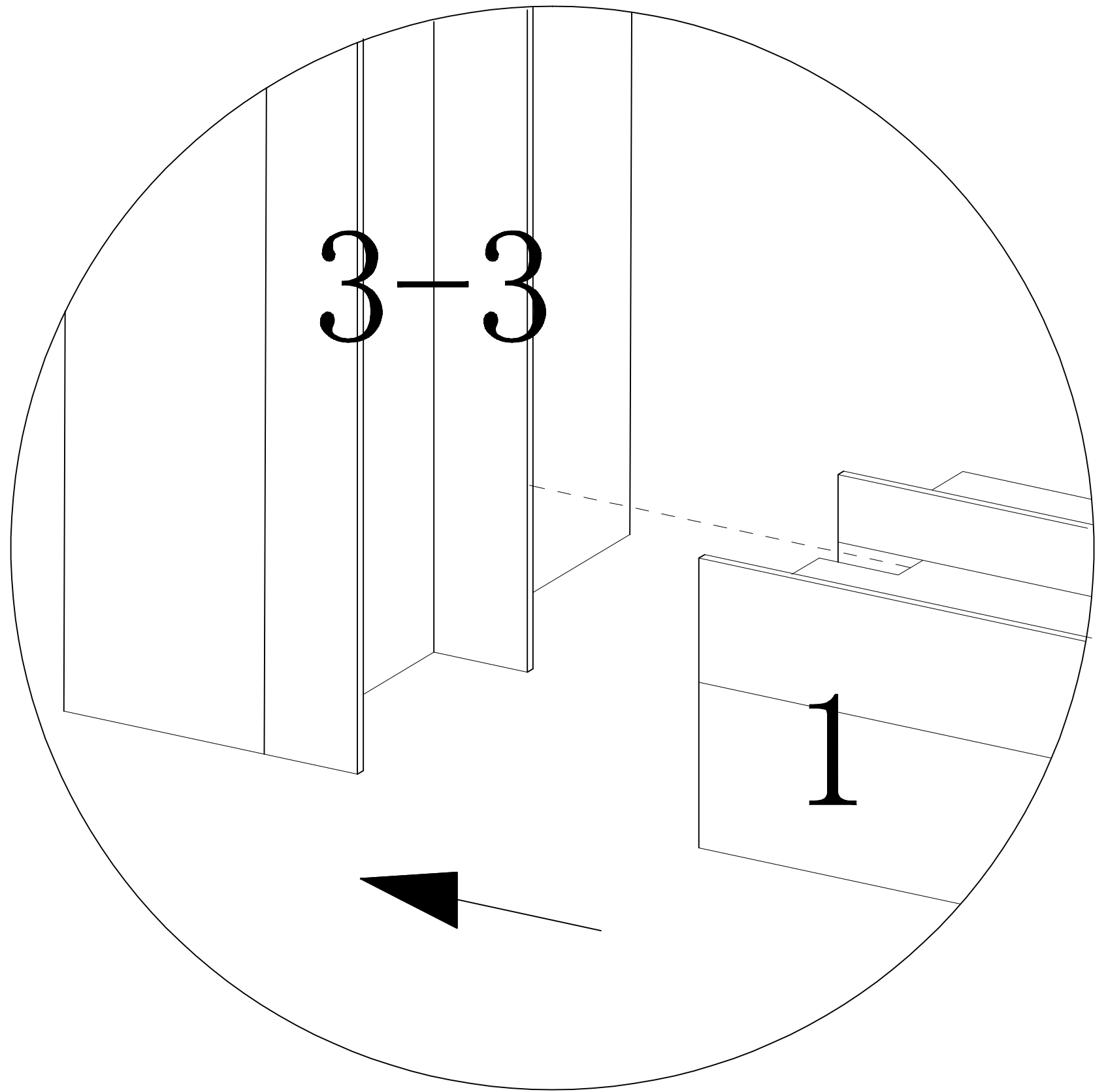
6 x1

2

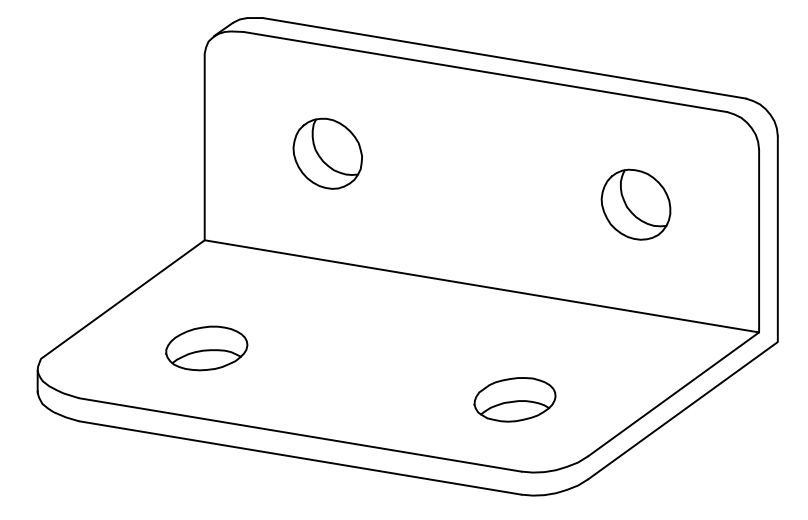


	3-3		x1	3-6		x1	A		x4
3-1	3-4		x2	3-7		x1	Z		x2
3-2	3-5		x1	Y		x8	H		x8

3

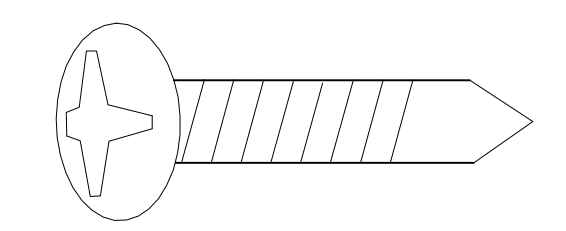


G



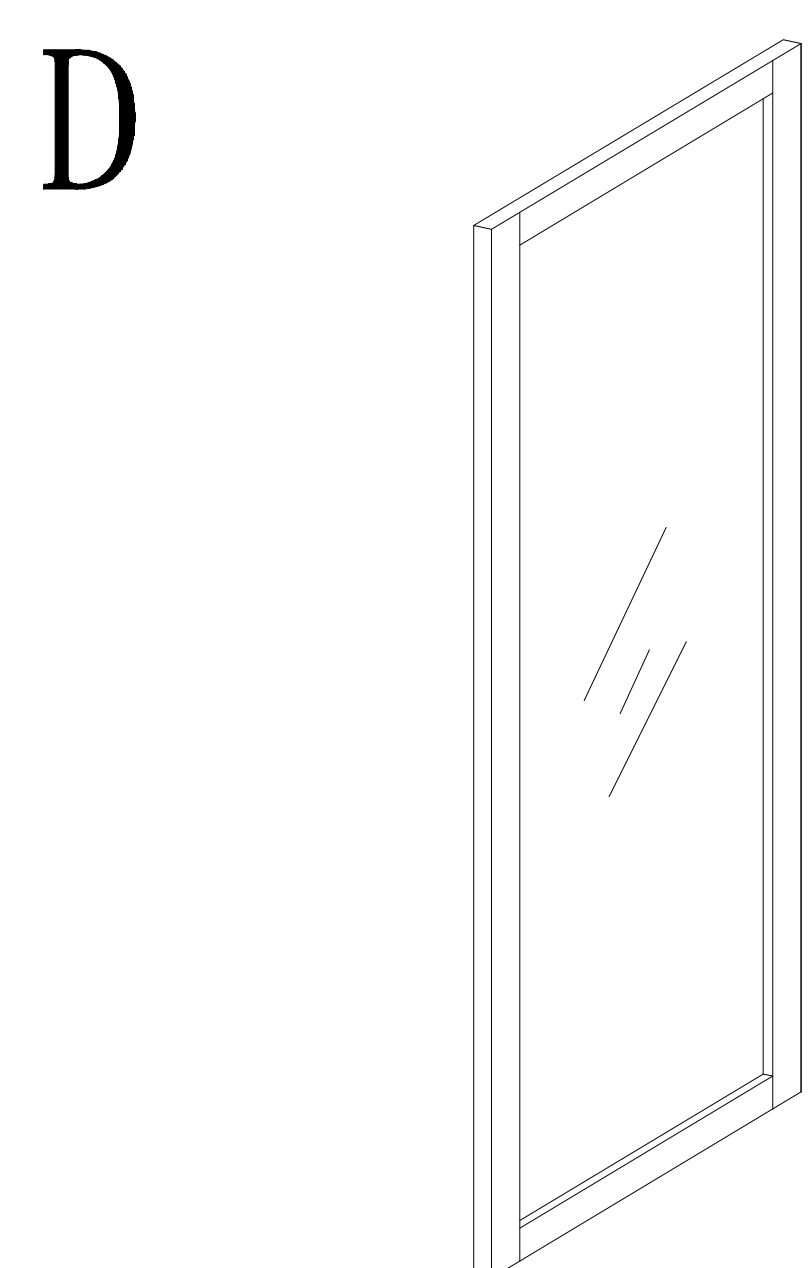
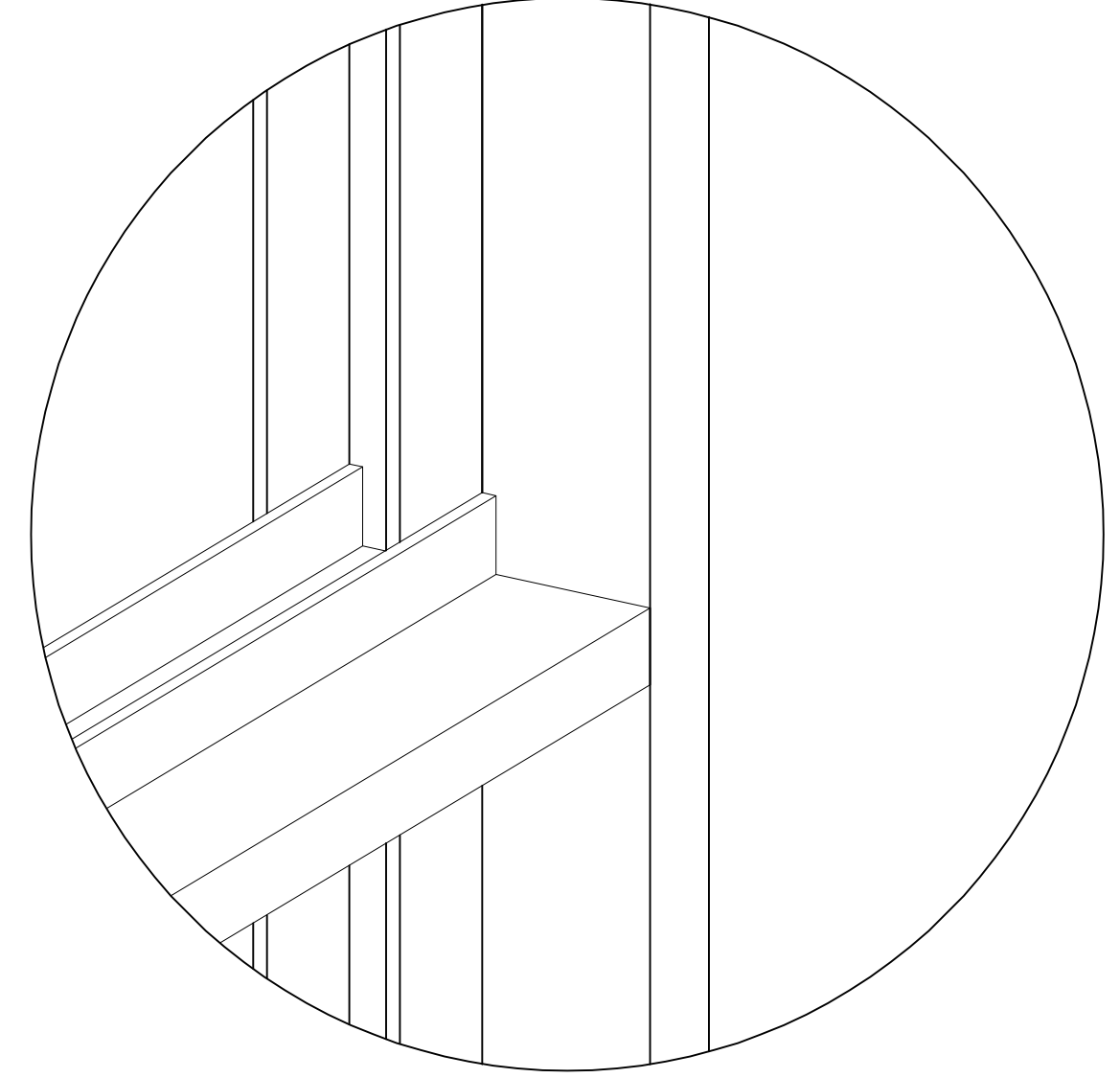
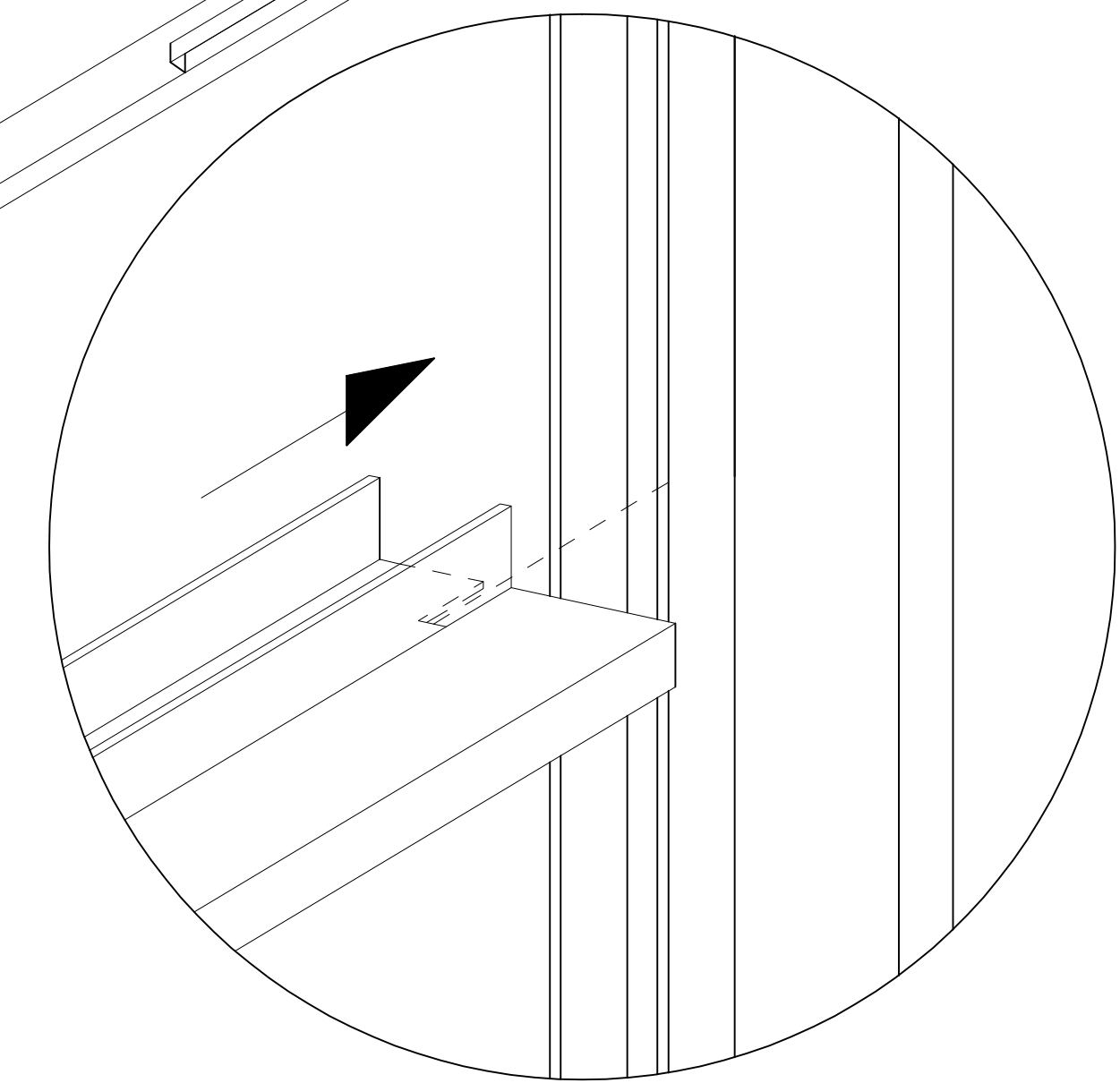
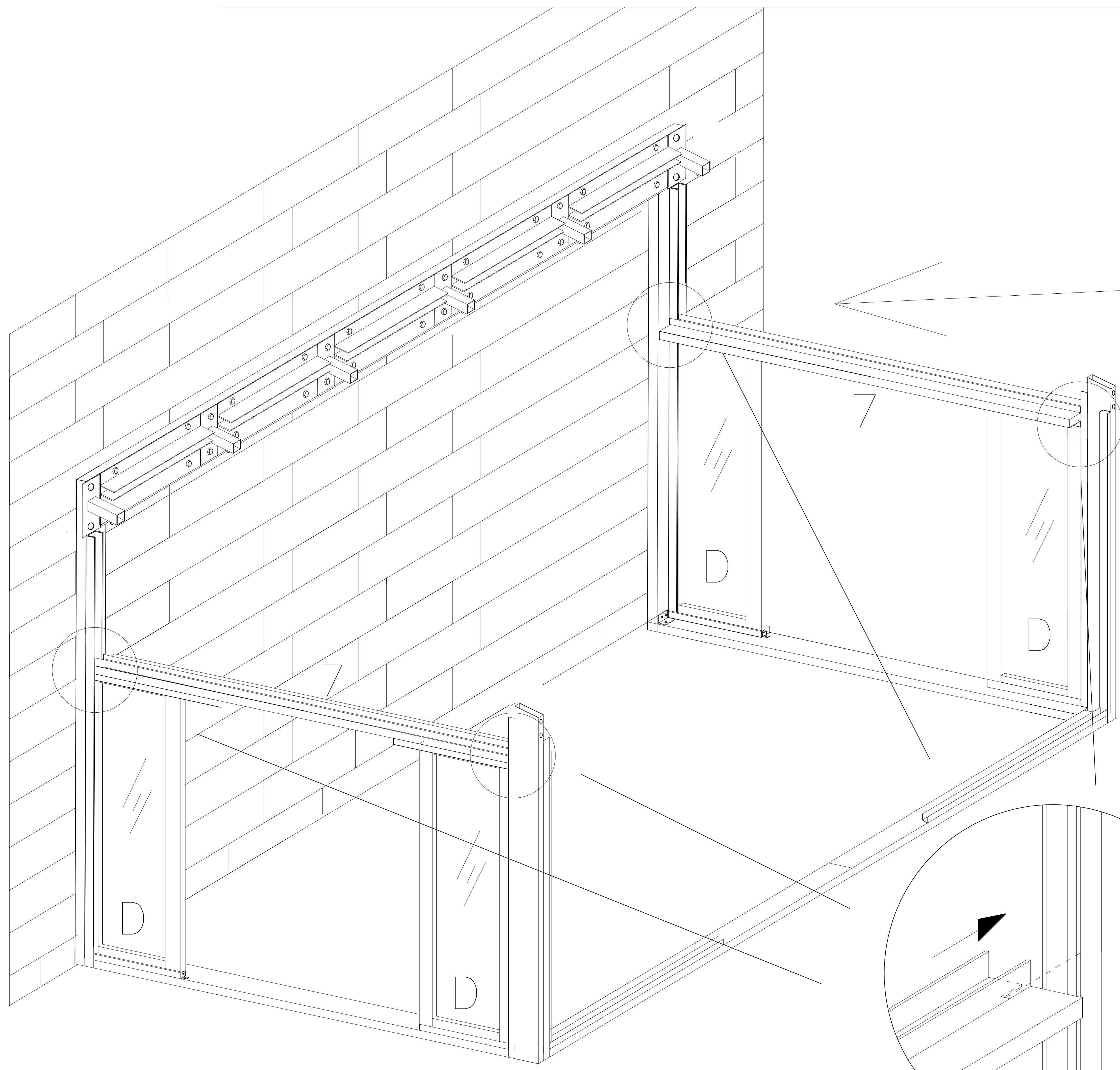
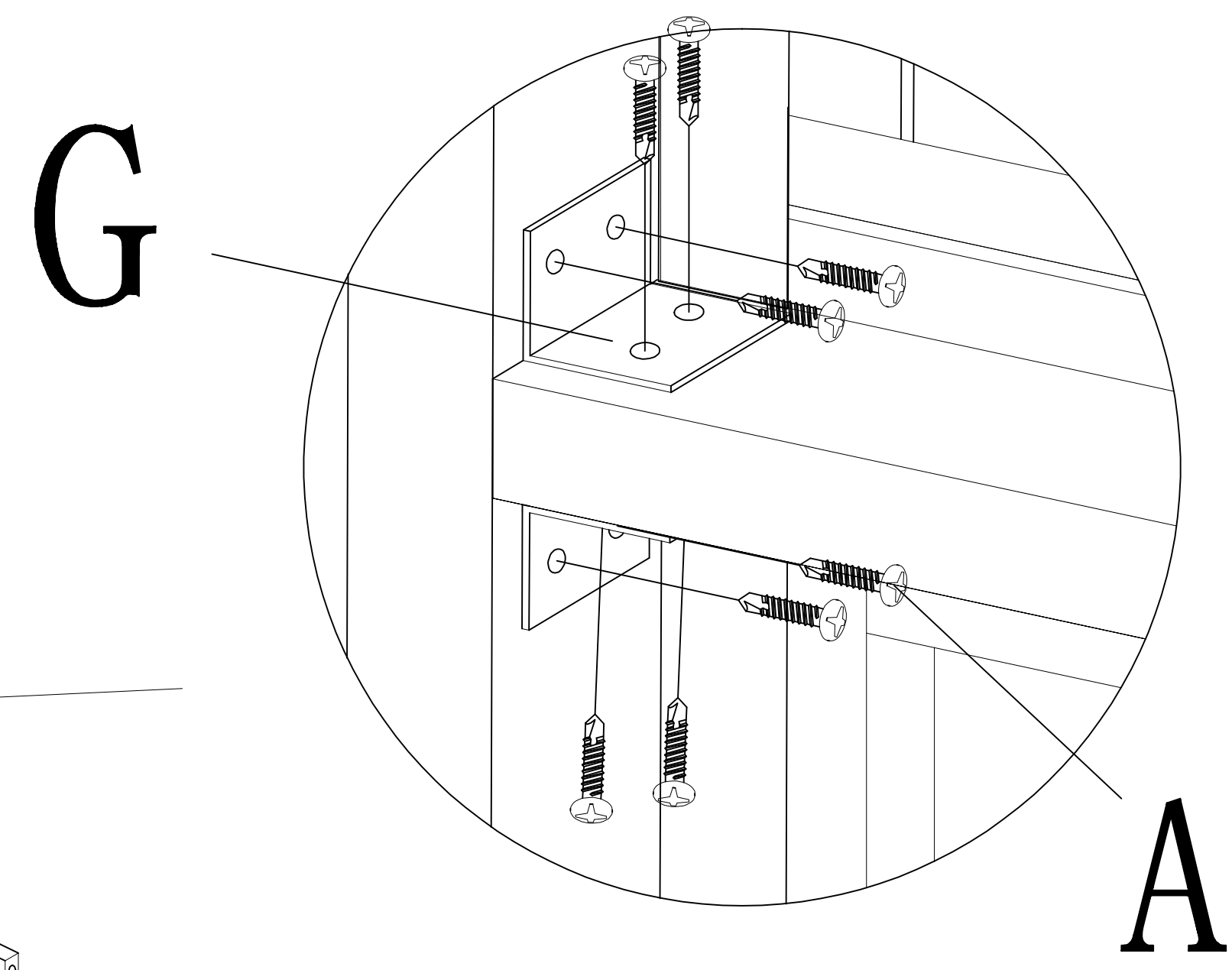
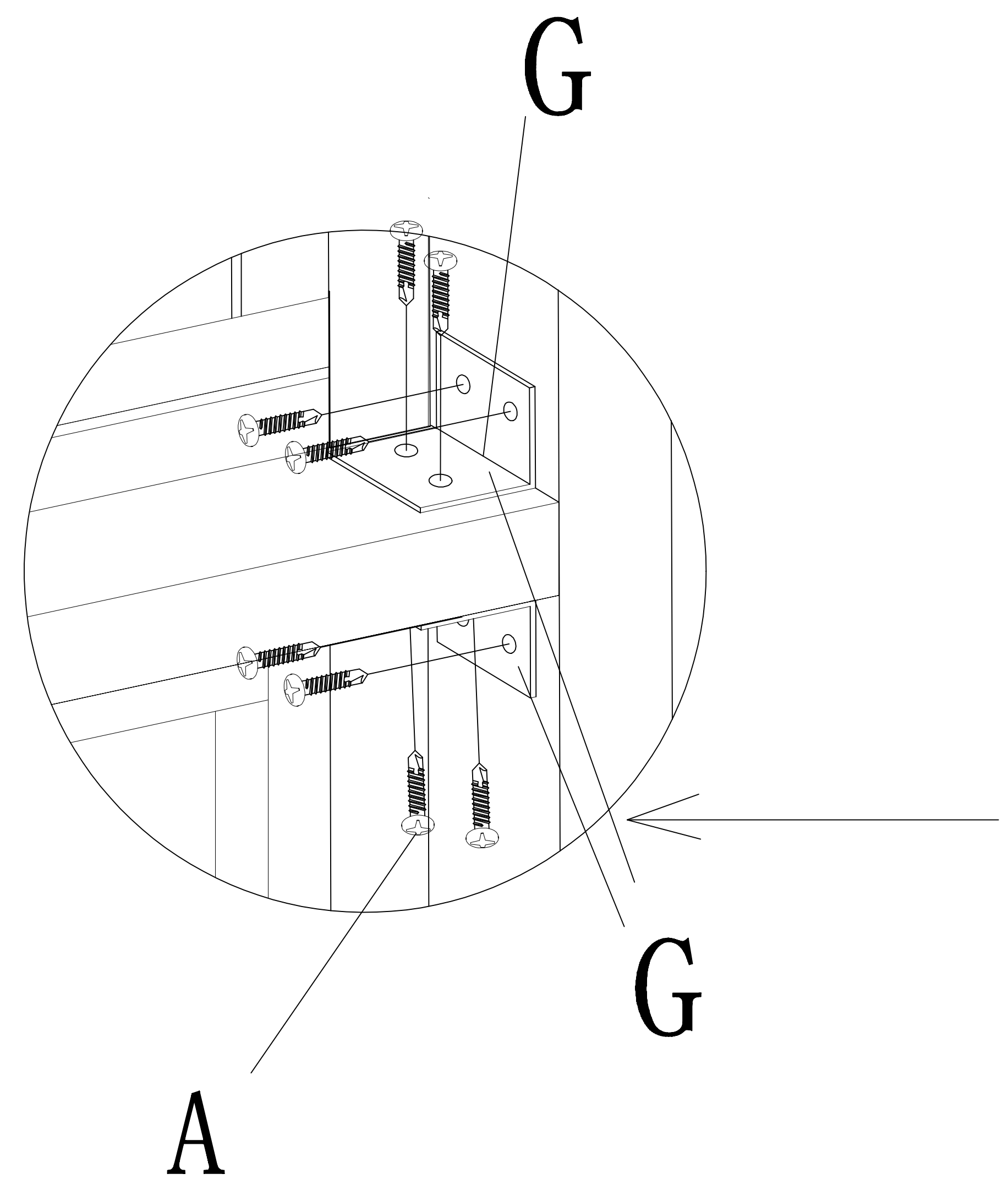
x2

A

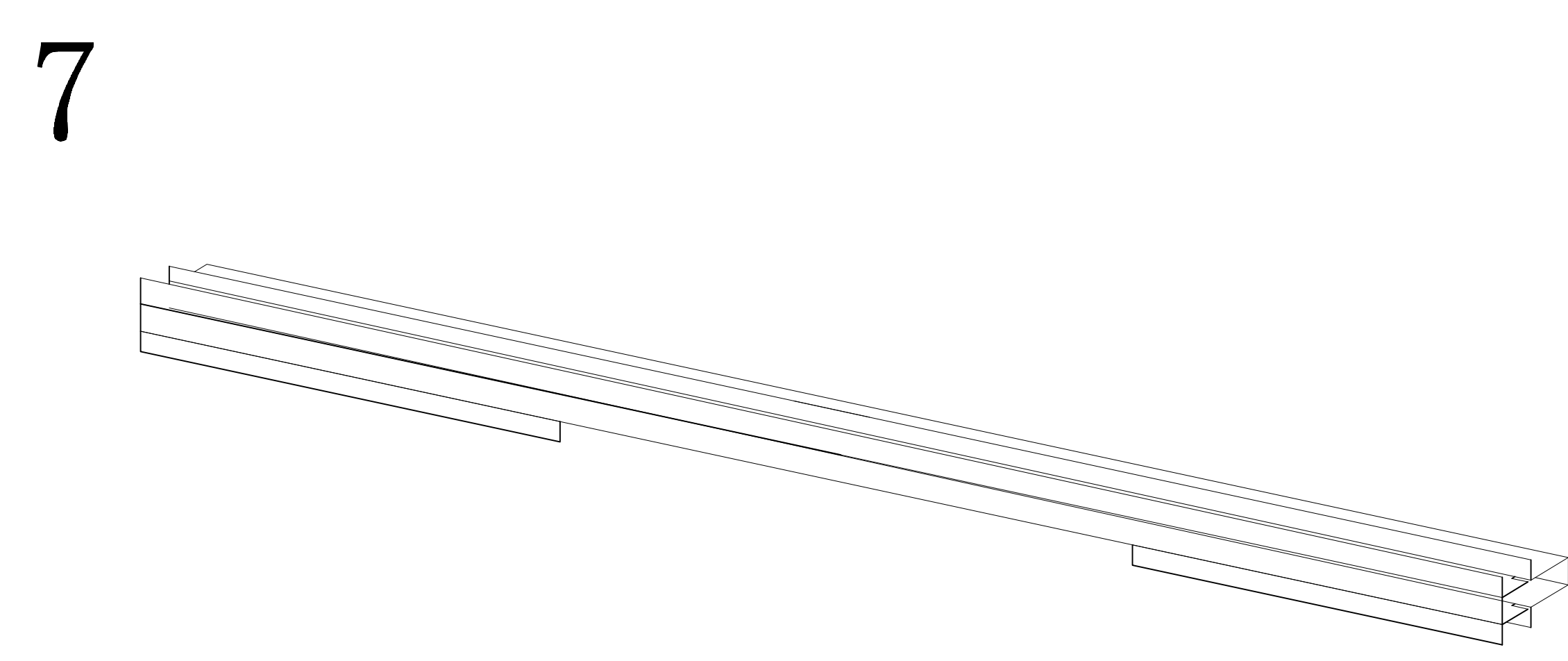


x8

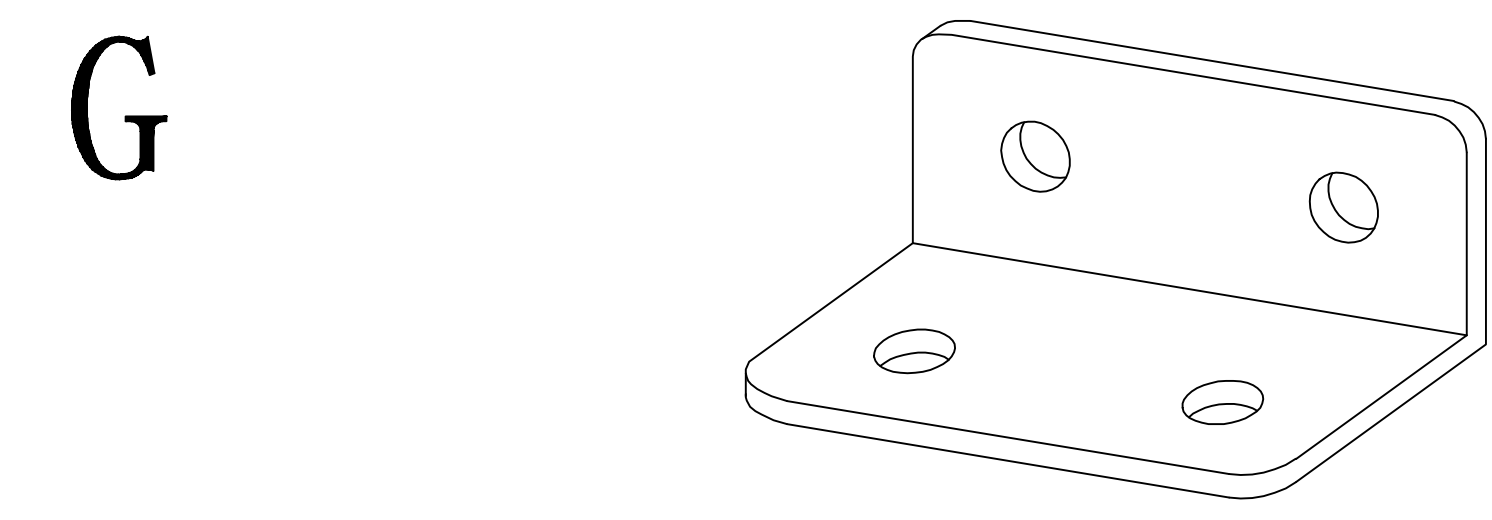
4



x4



x2

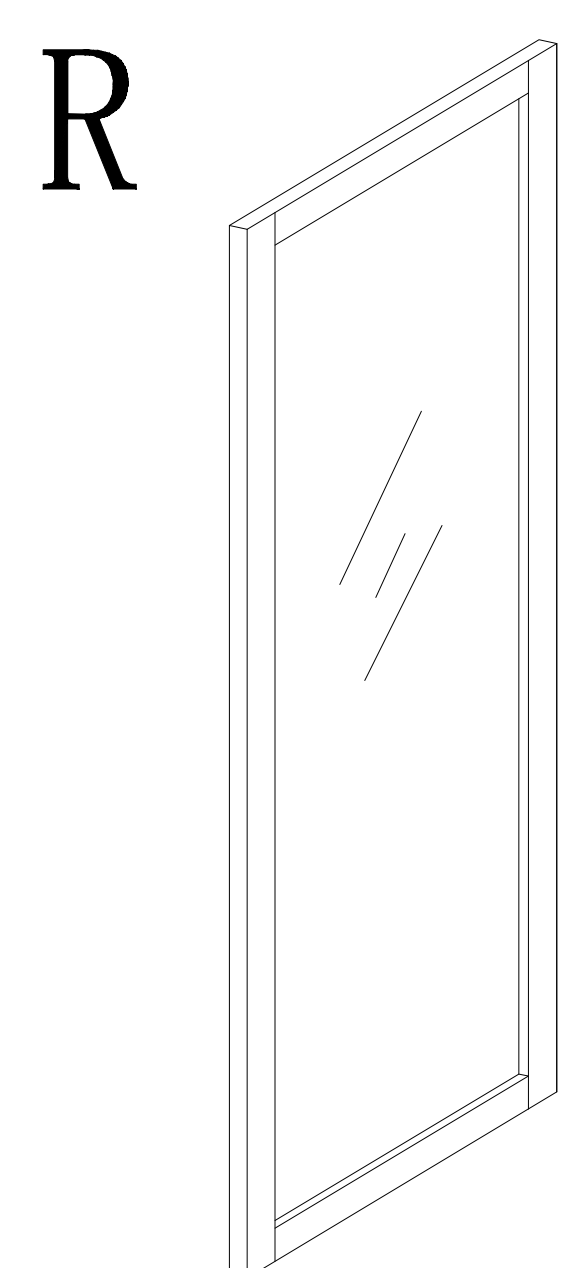
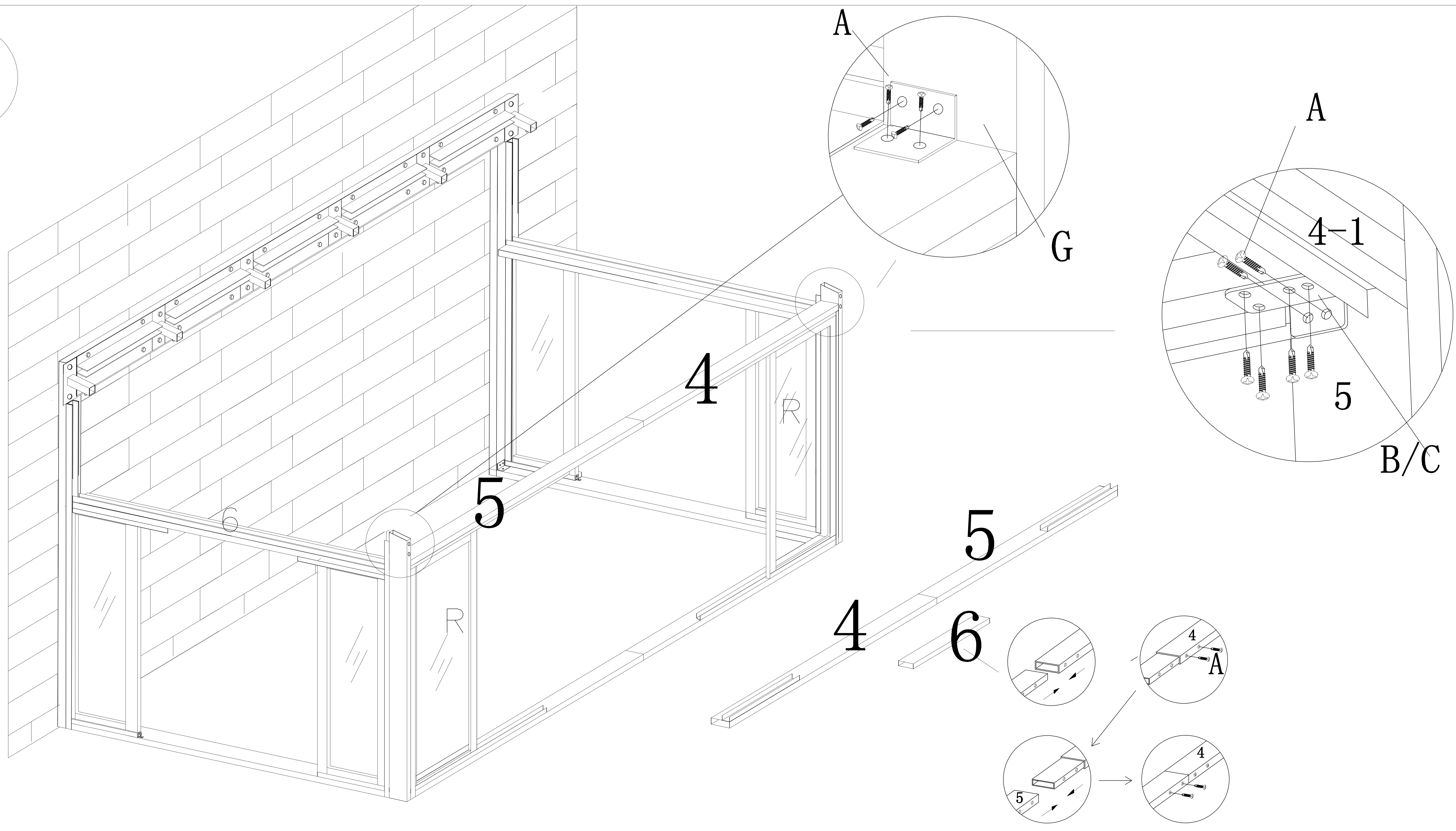


x4



x16

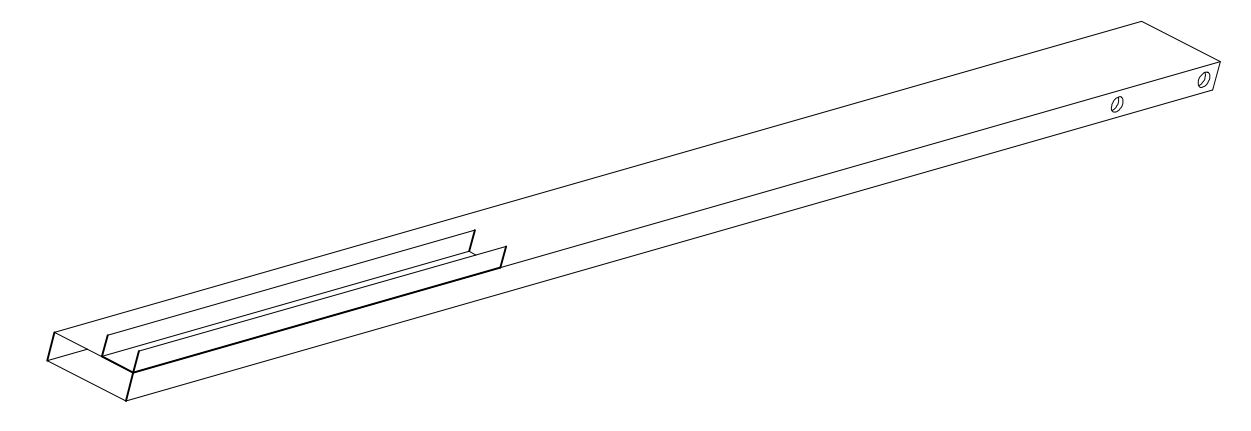
5



R

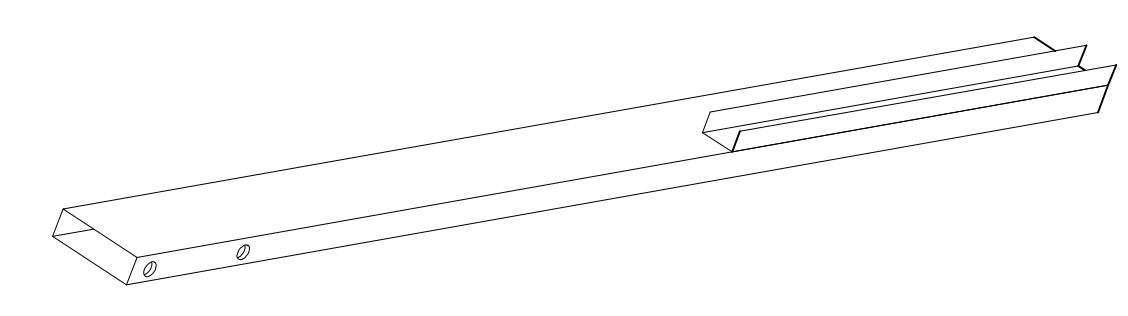
x2

4



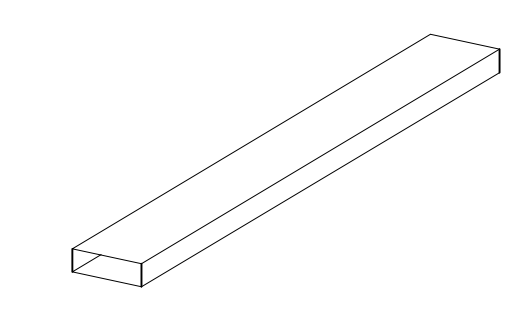
x1

5



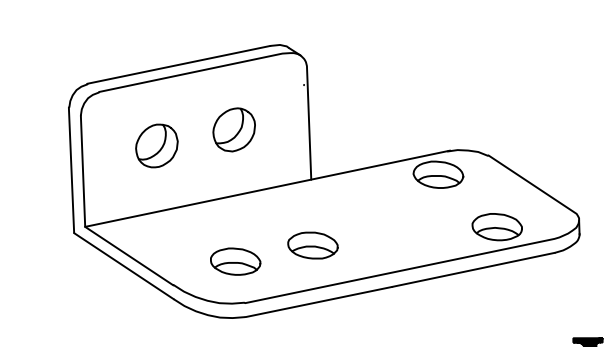
x1

6



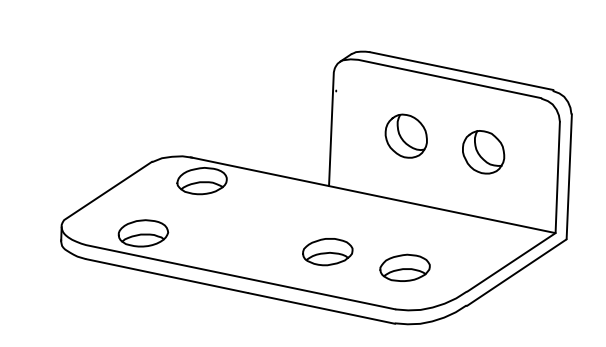
x1

B



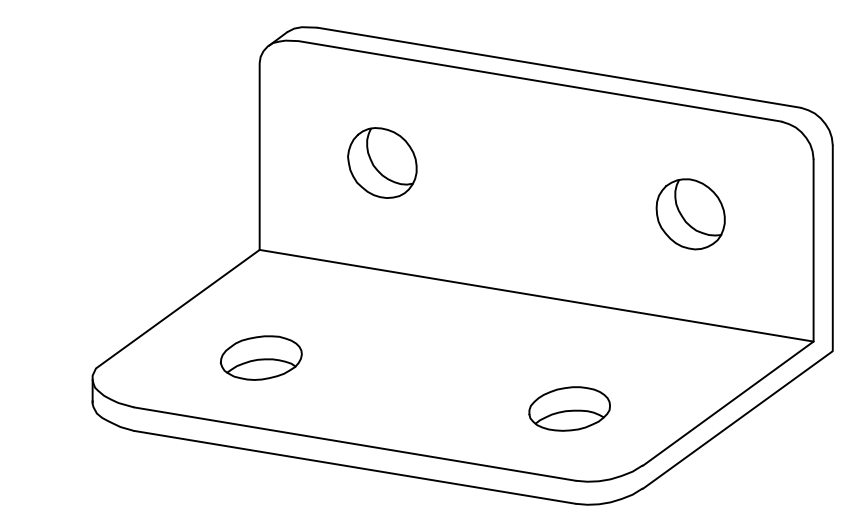
x1

C



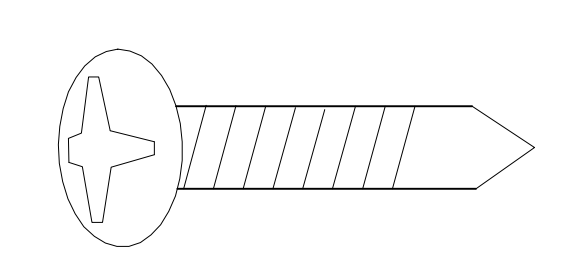
x1

G



x2

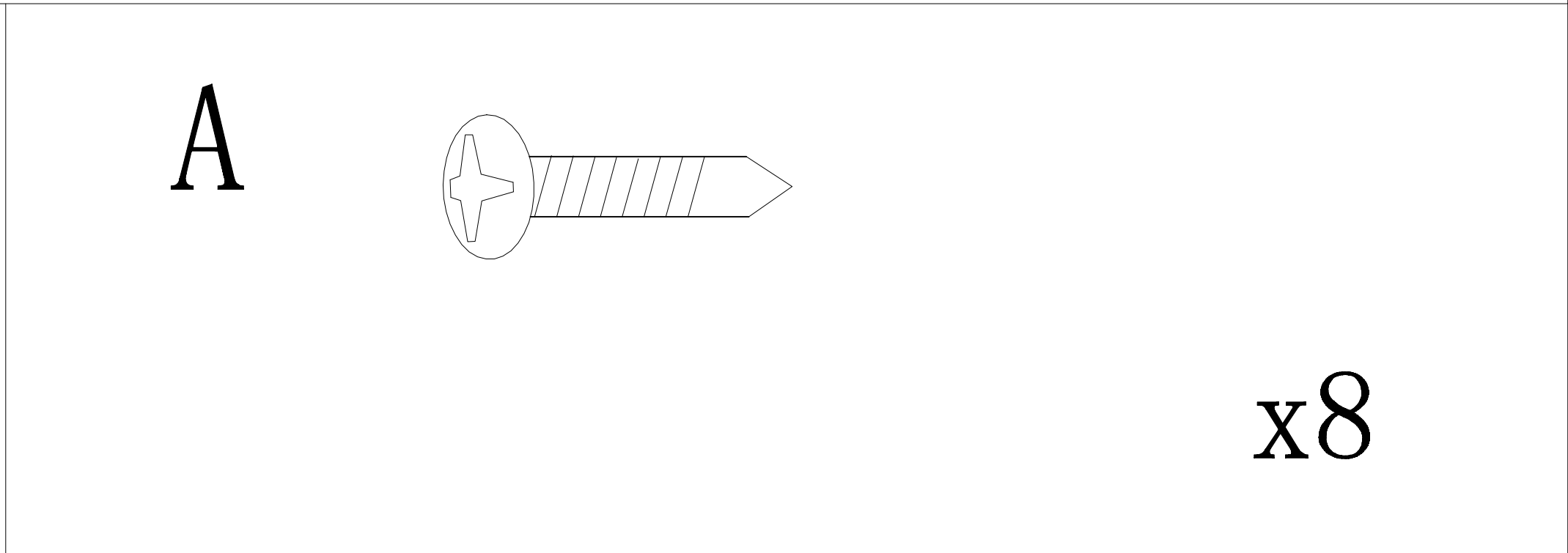
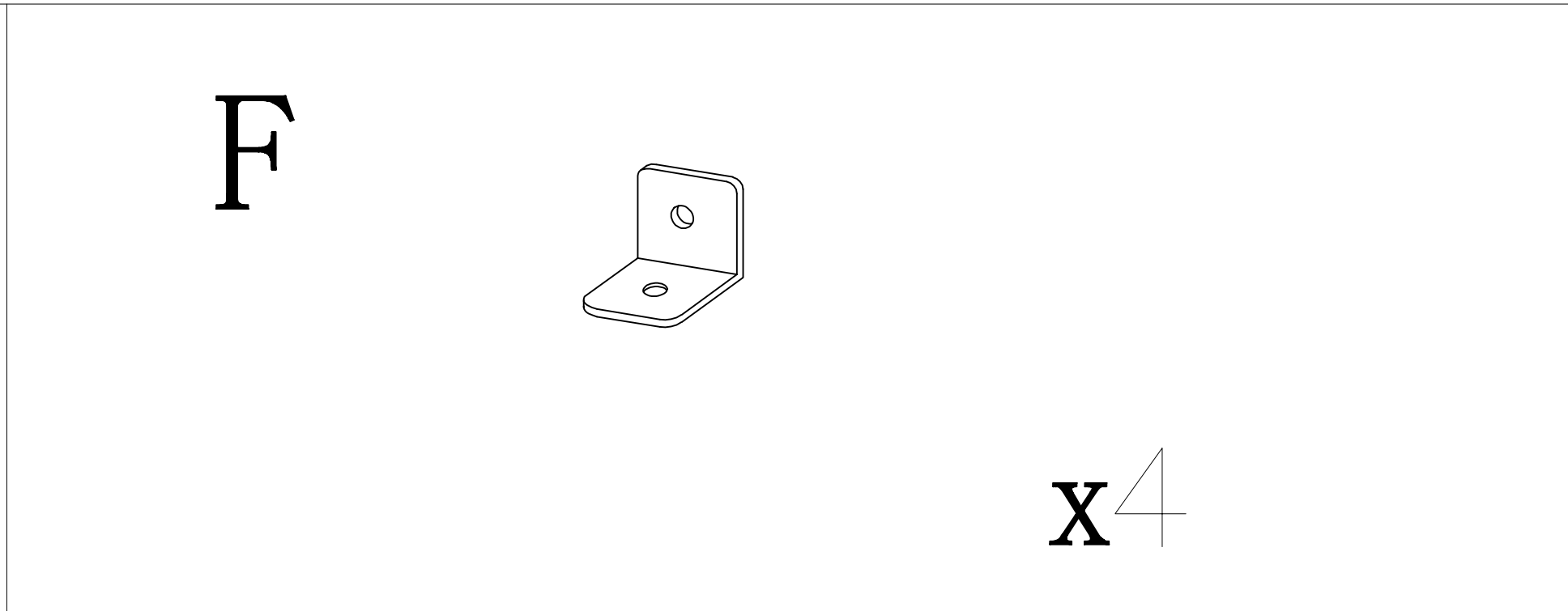
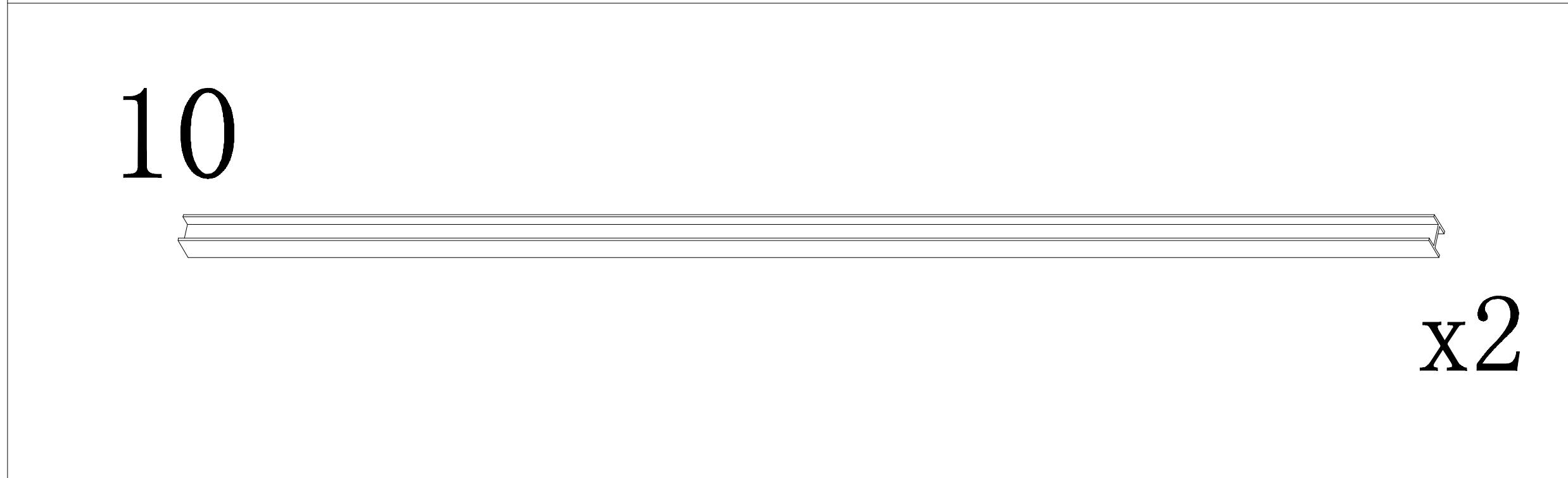
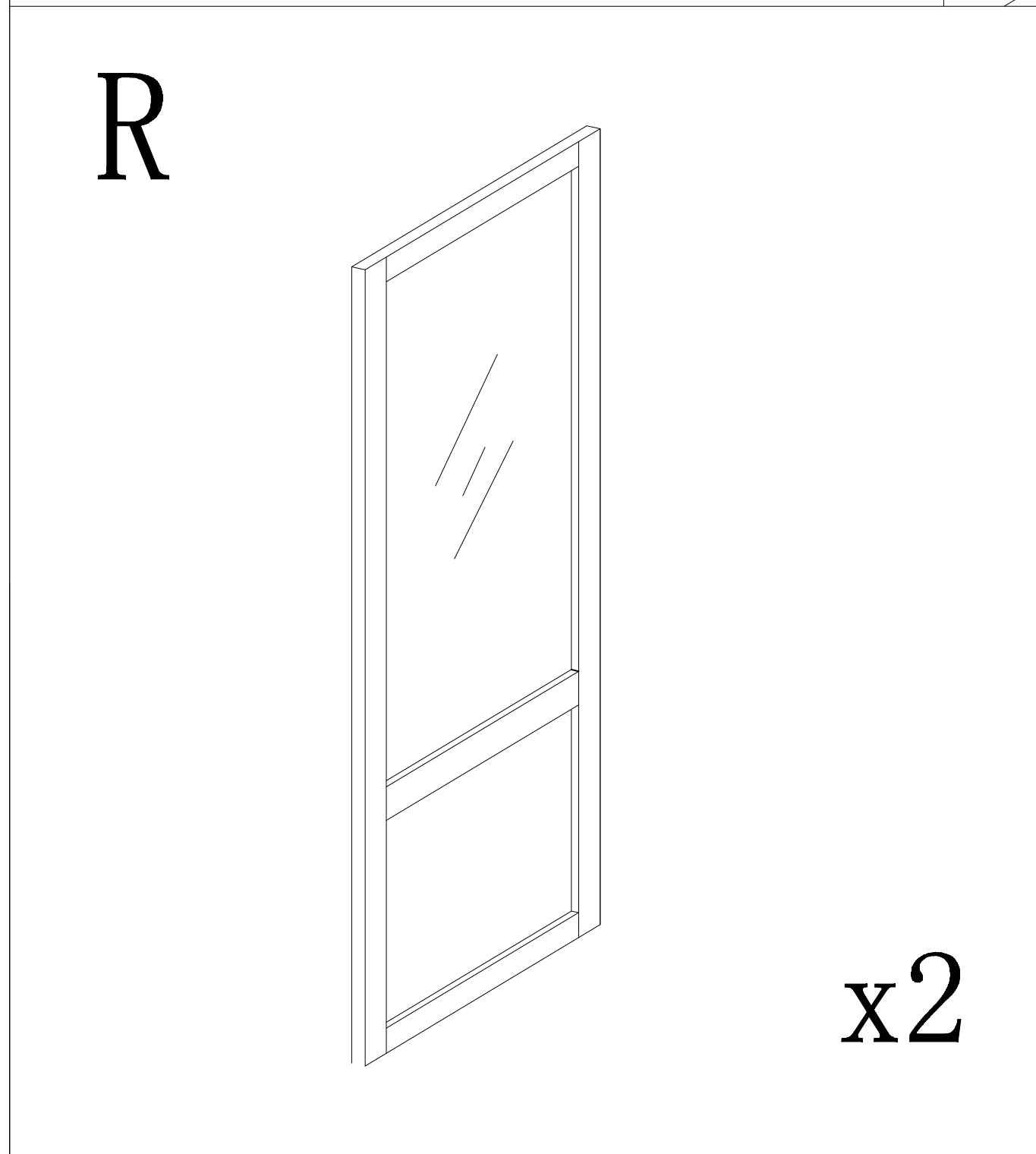
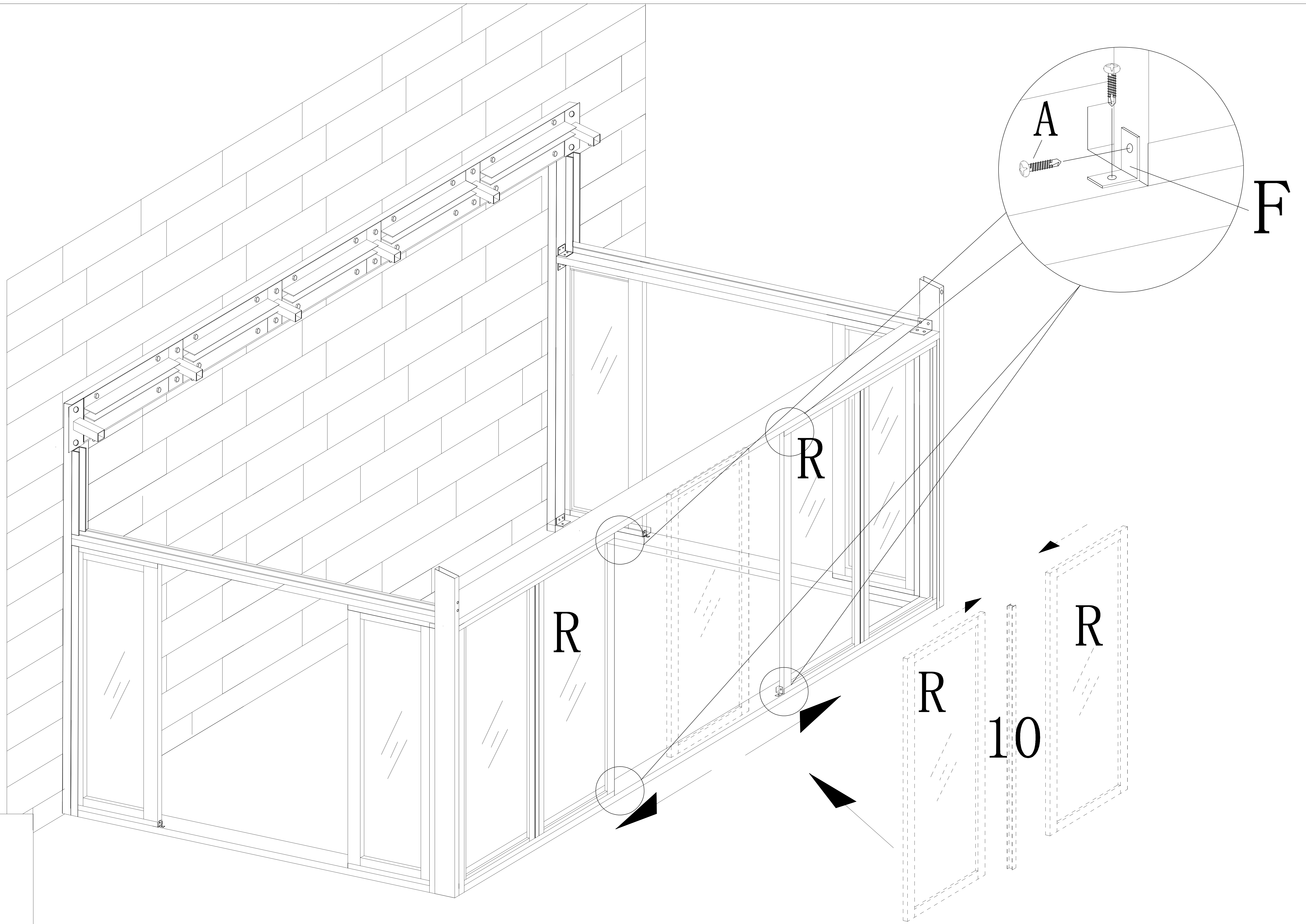
A



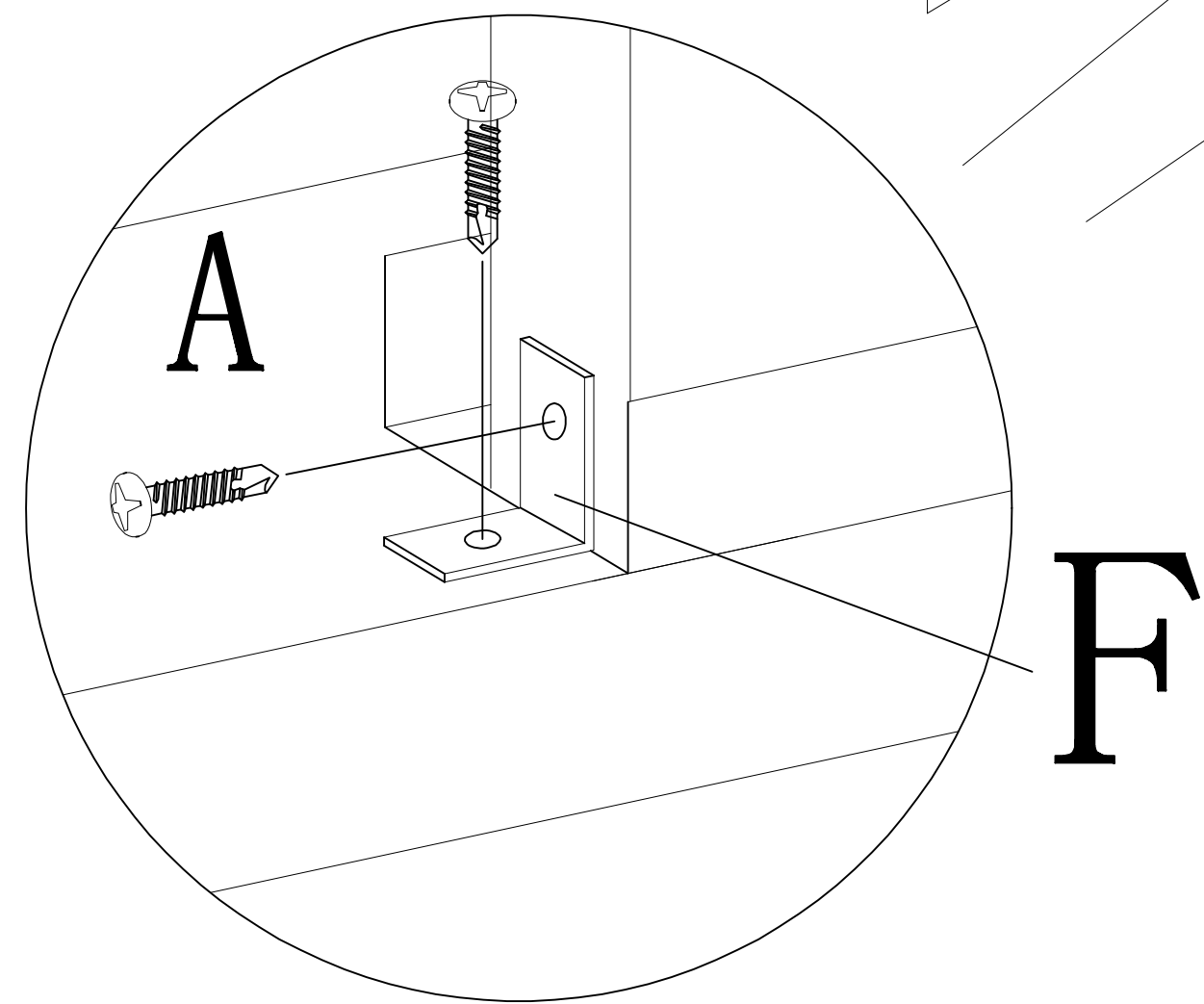
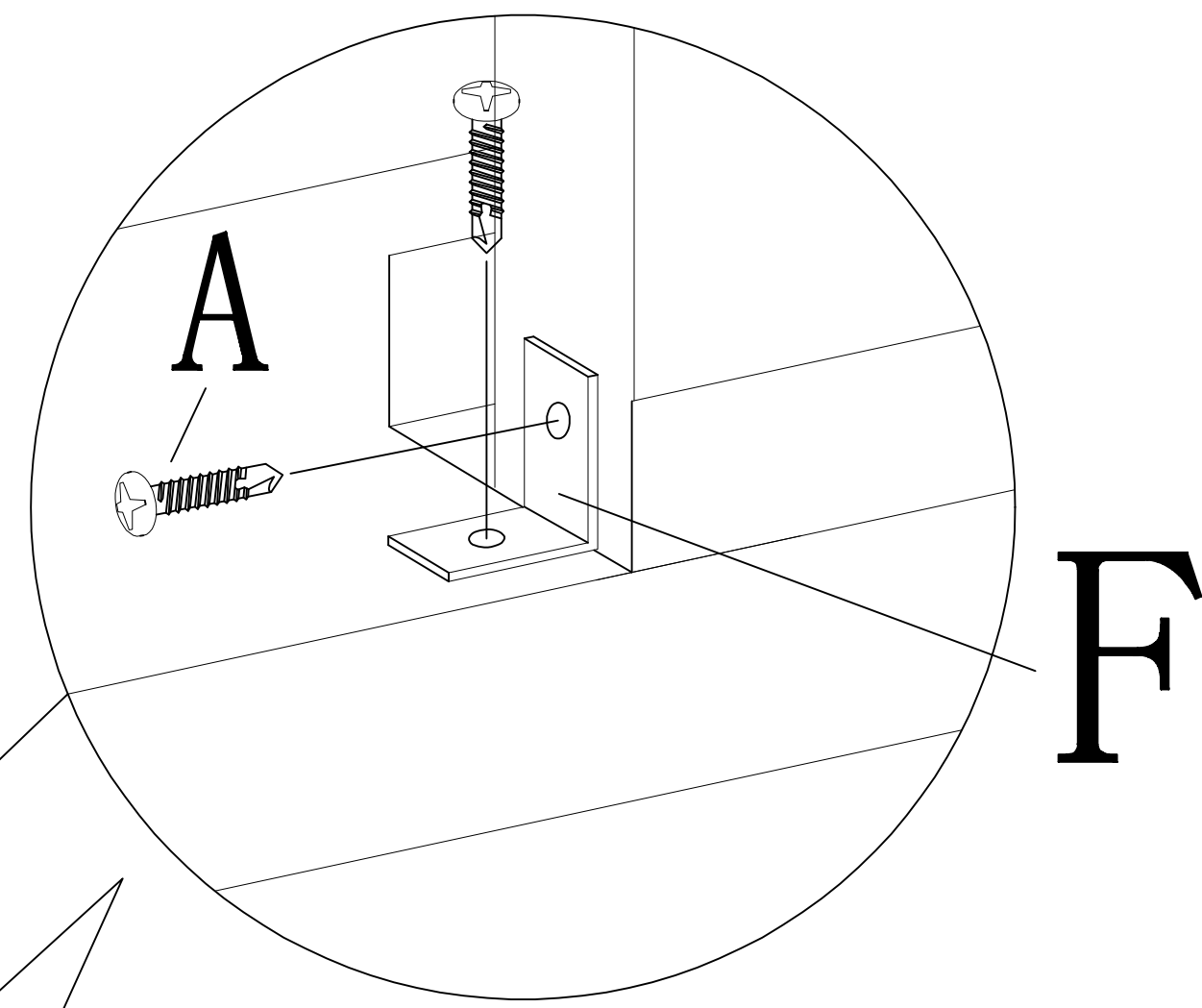
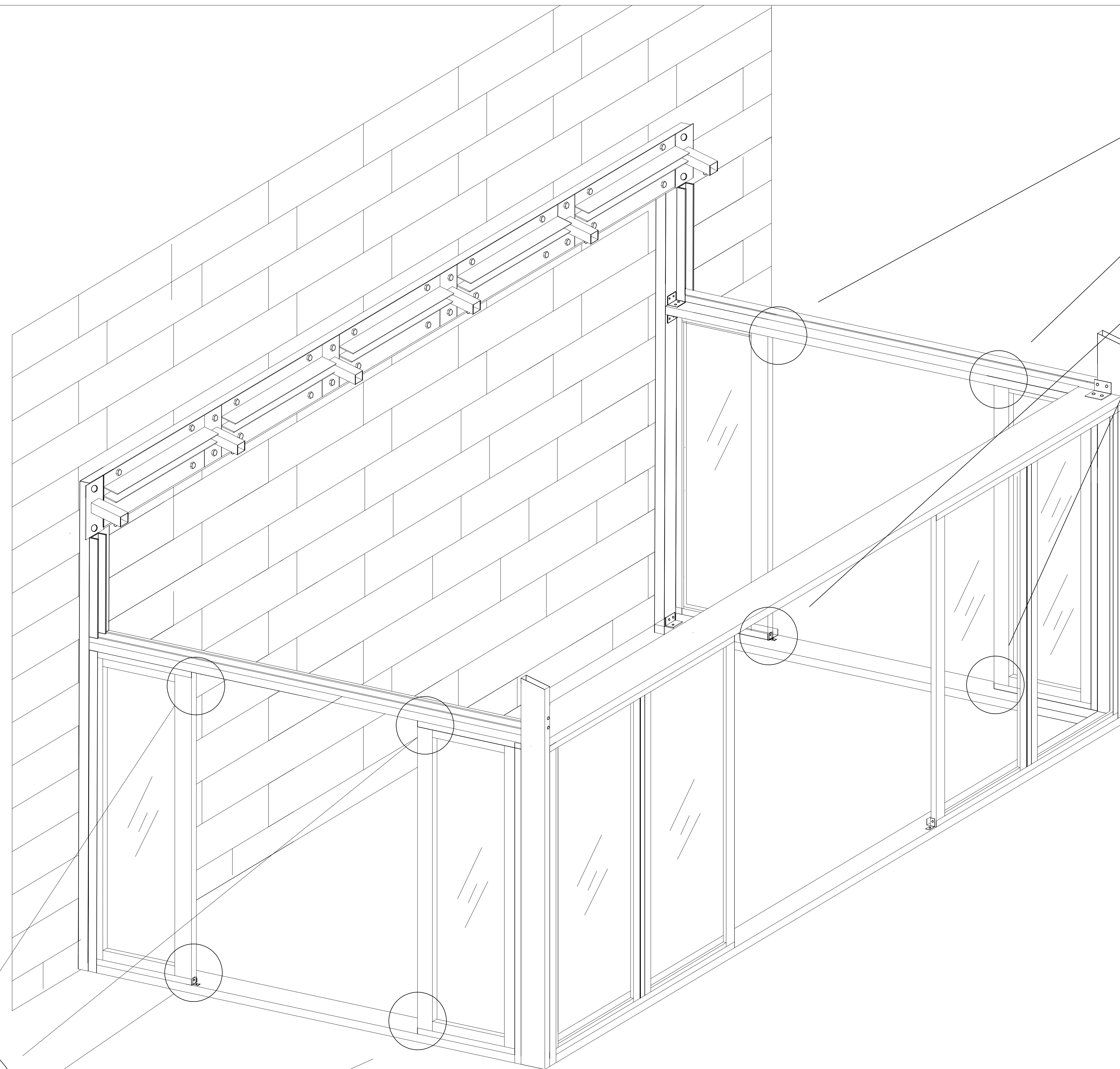
x24



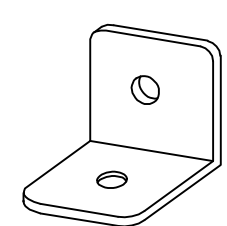
6



7

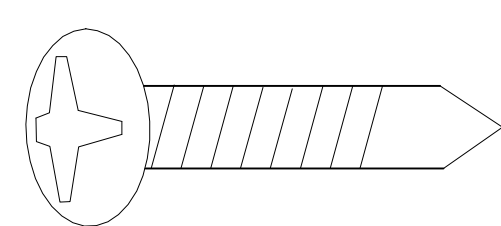


F



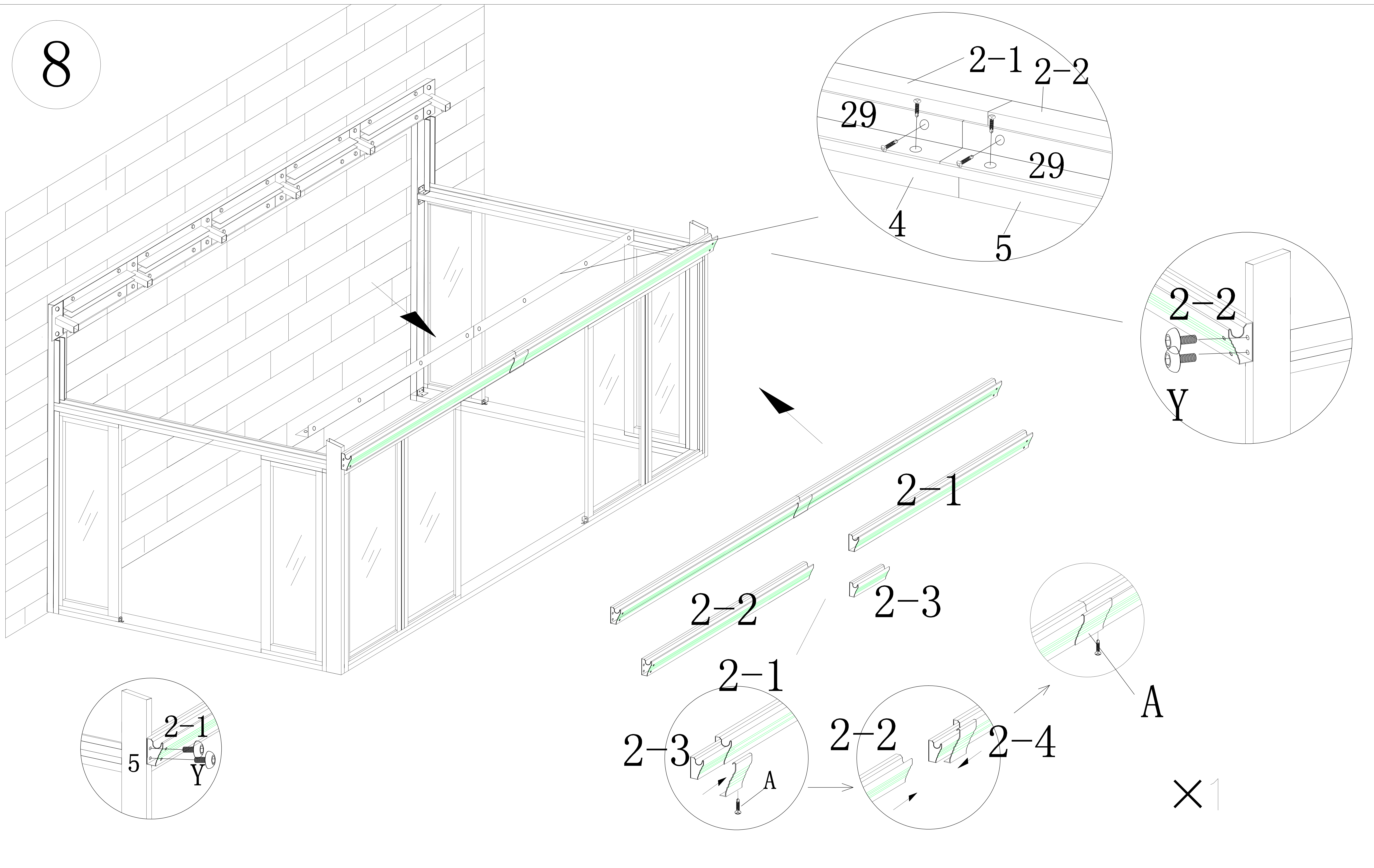
x8

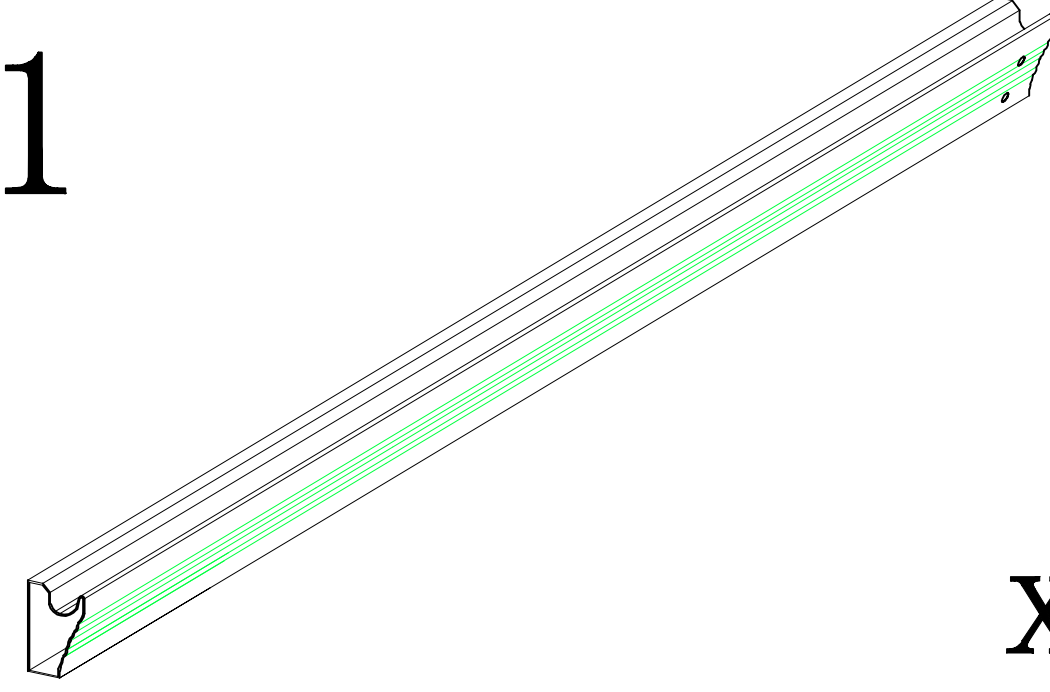
A

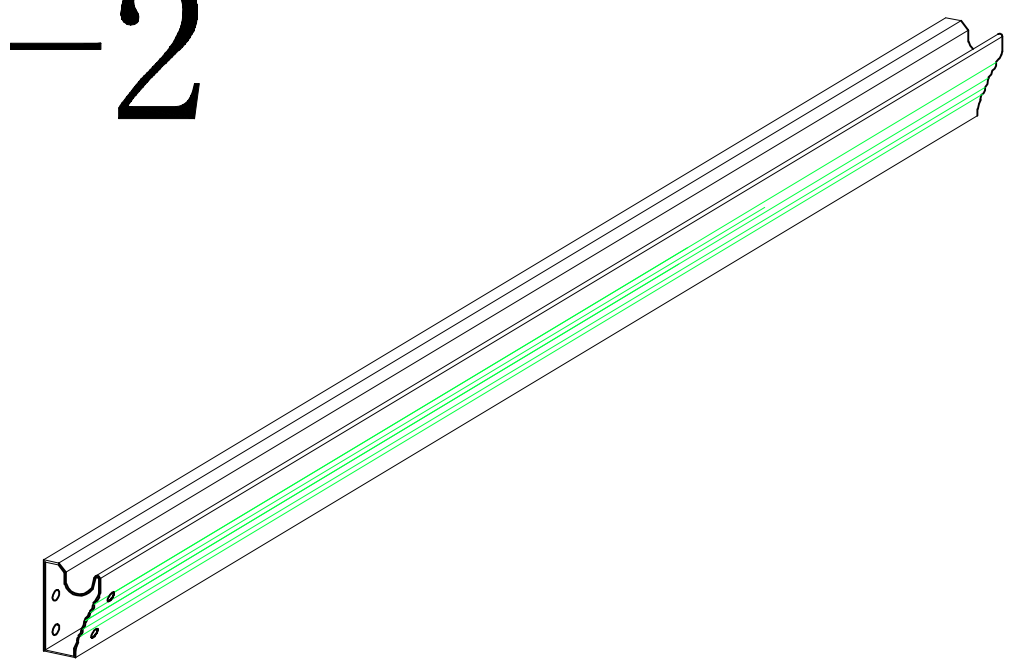


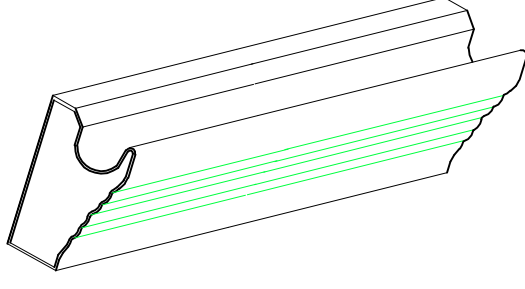
x16

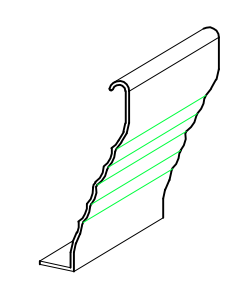
8

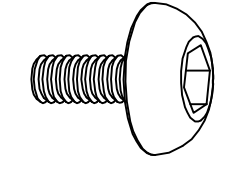


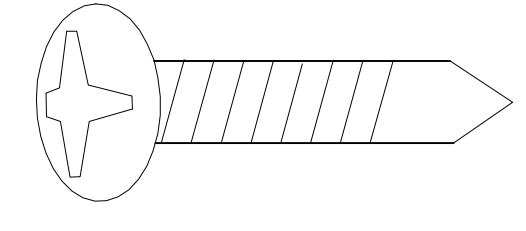
2-1  x1

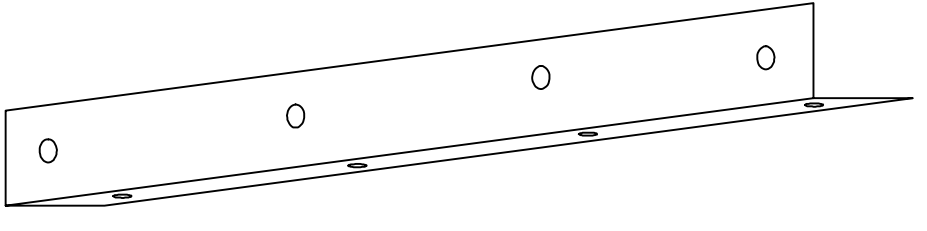
2-2  x1

2-3  x1

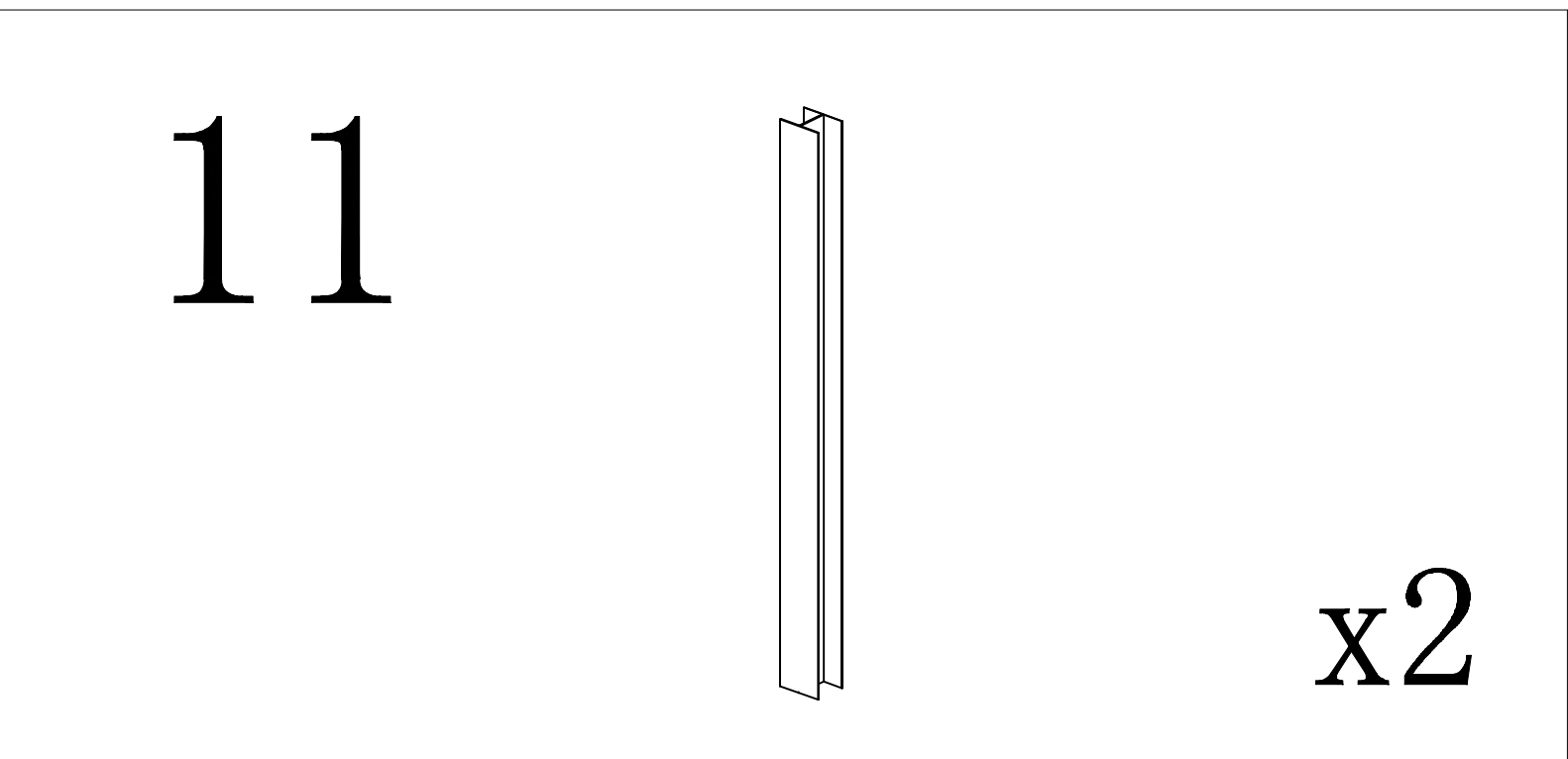
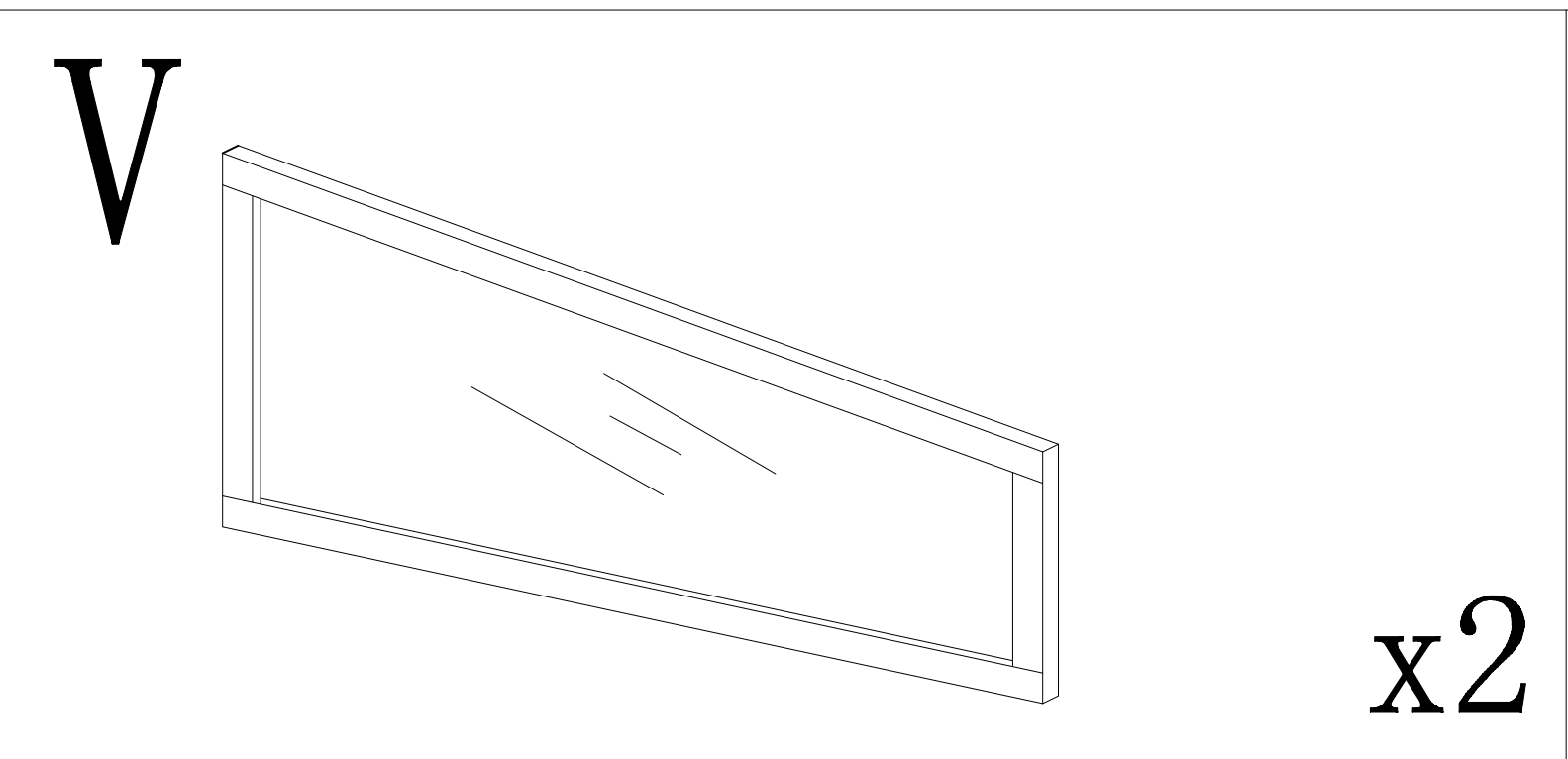
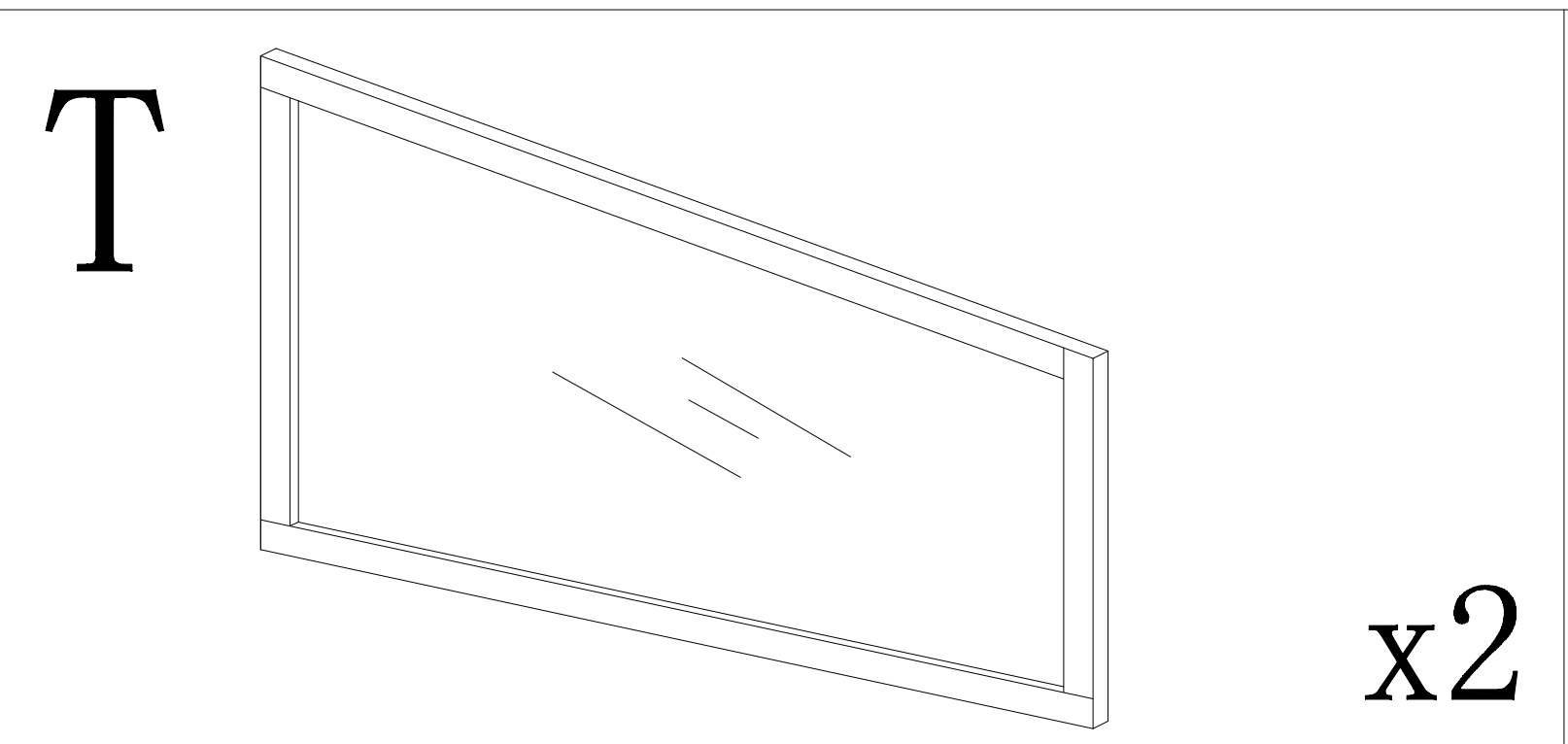
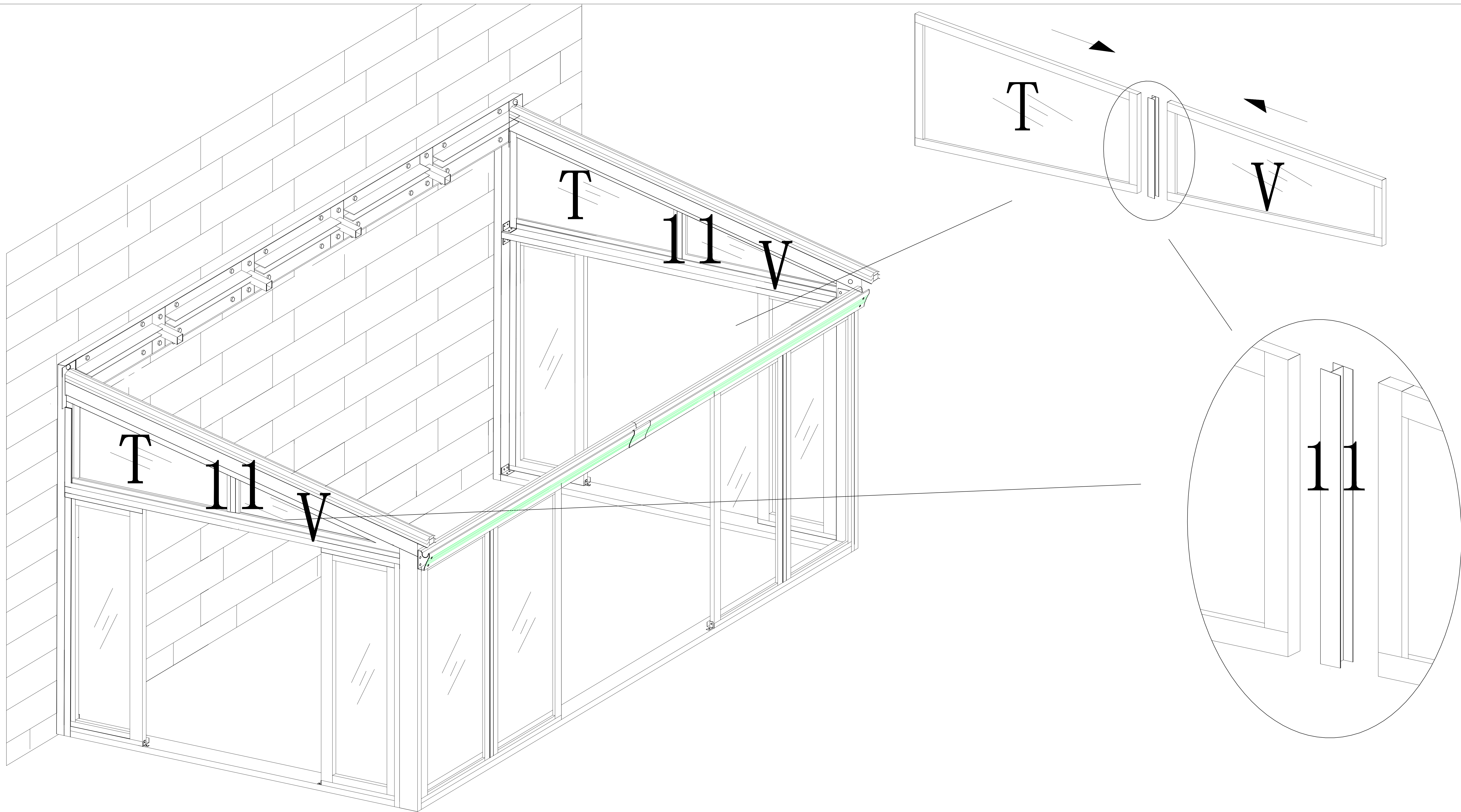
2-4  x1

Y  x4

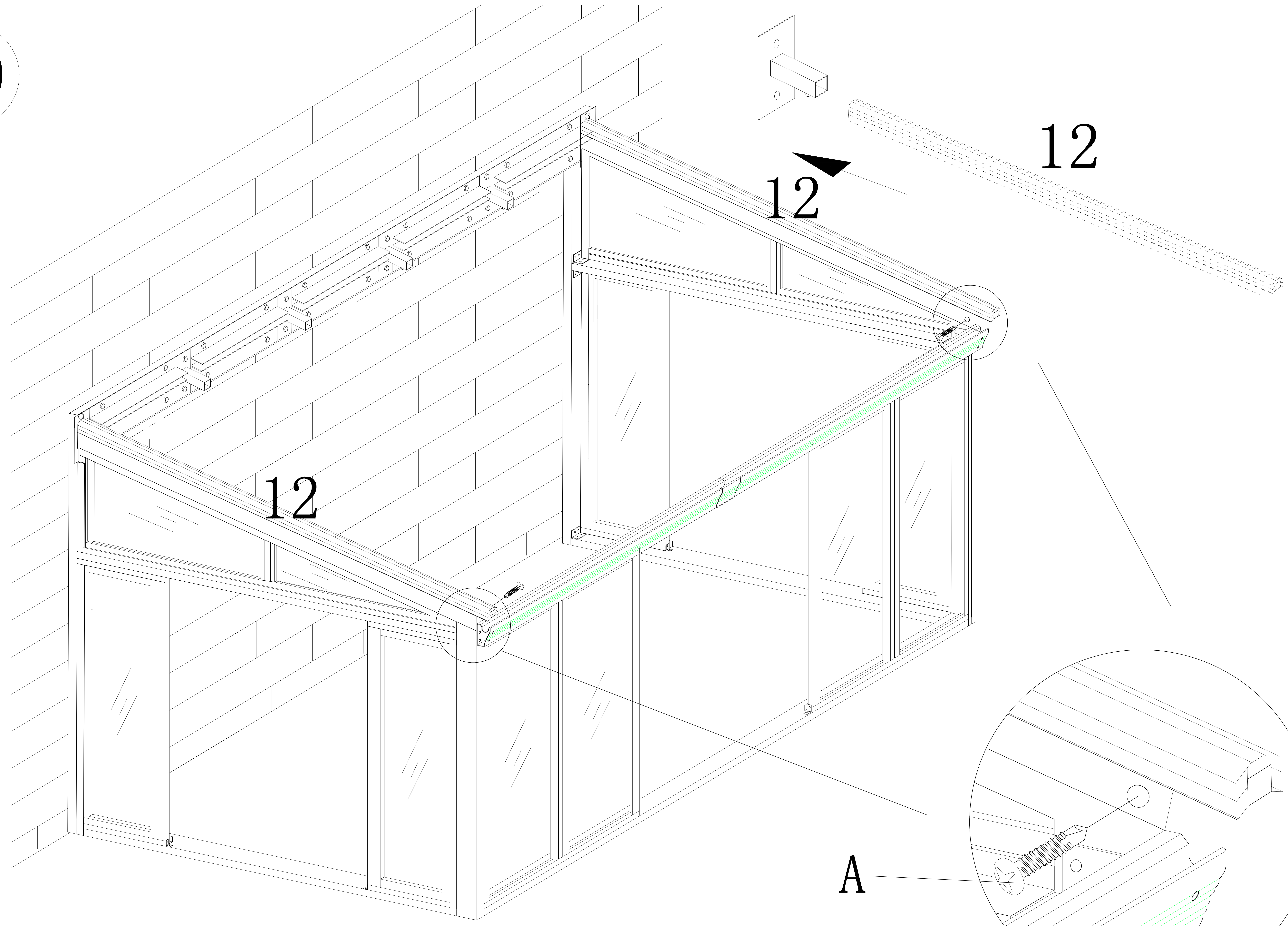
A  x12

29  x2

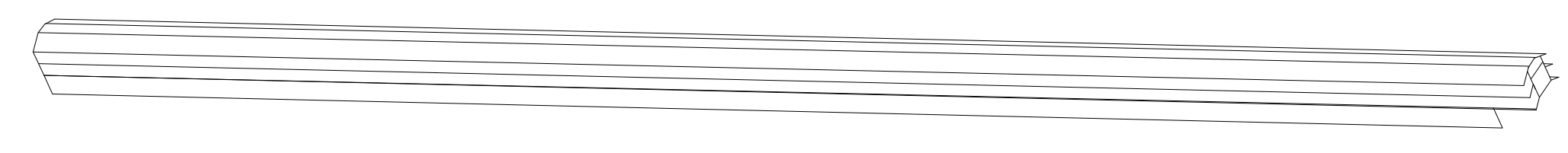
9



10

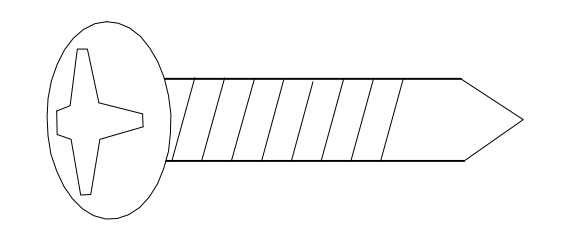


12

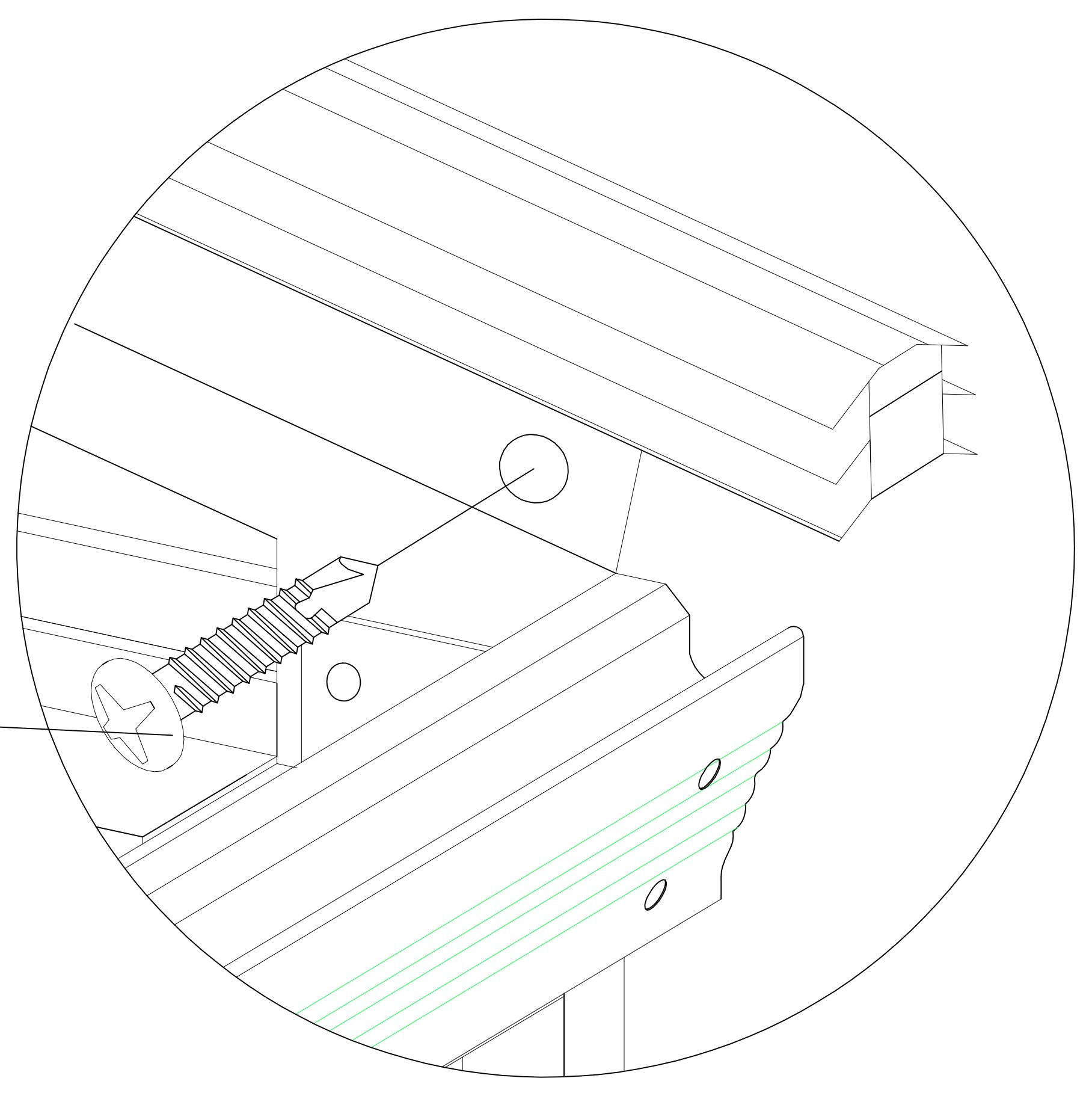


x2

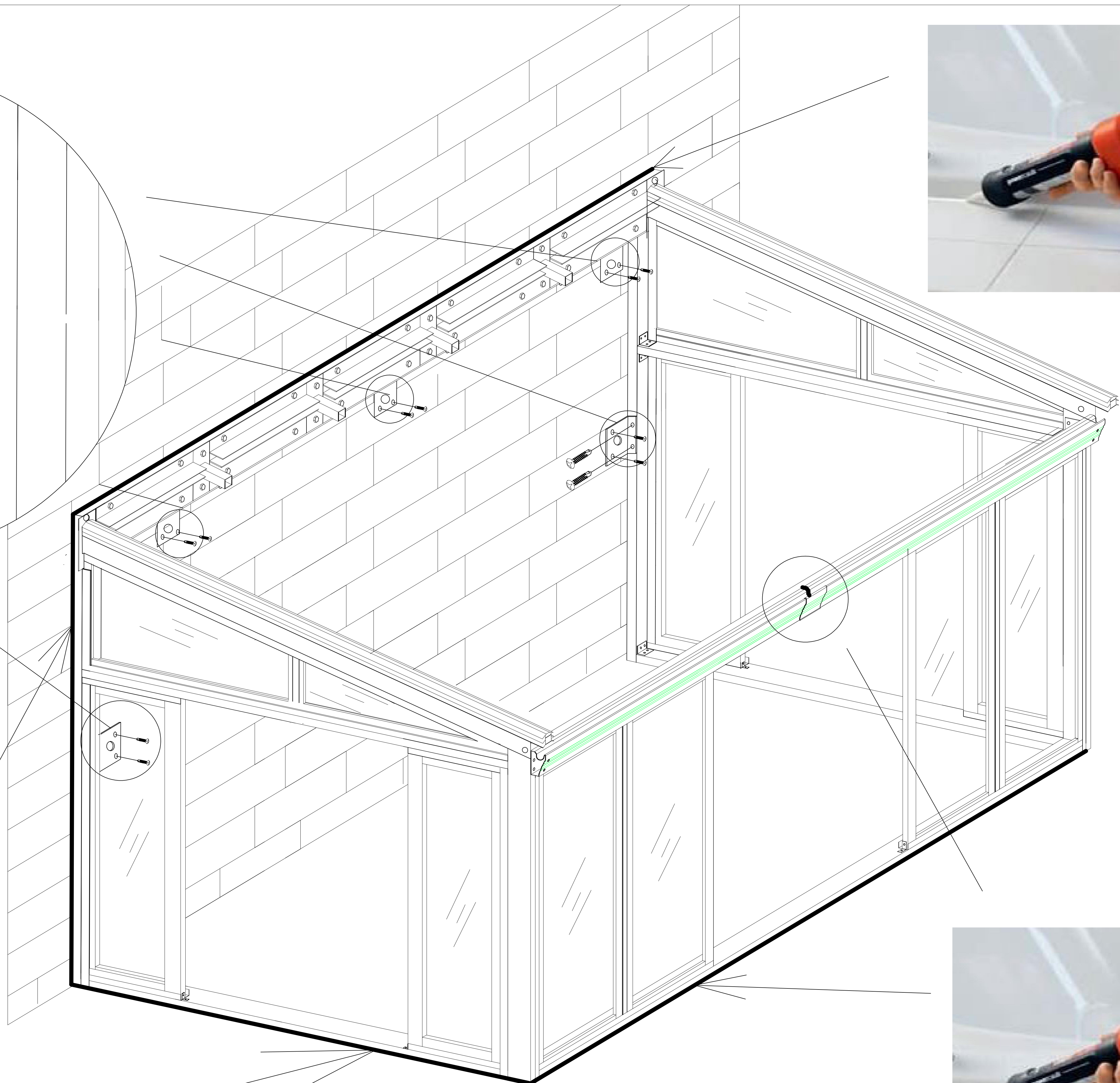
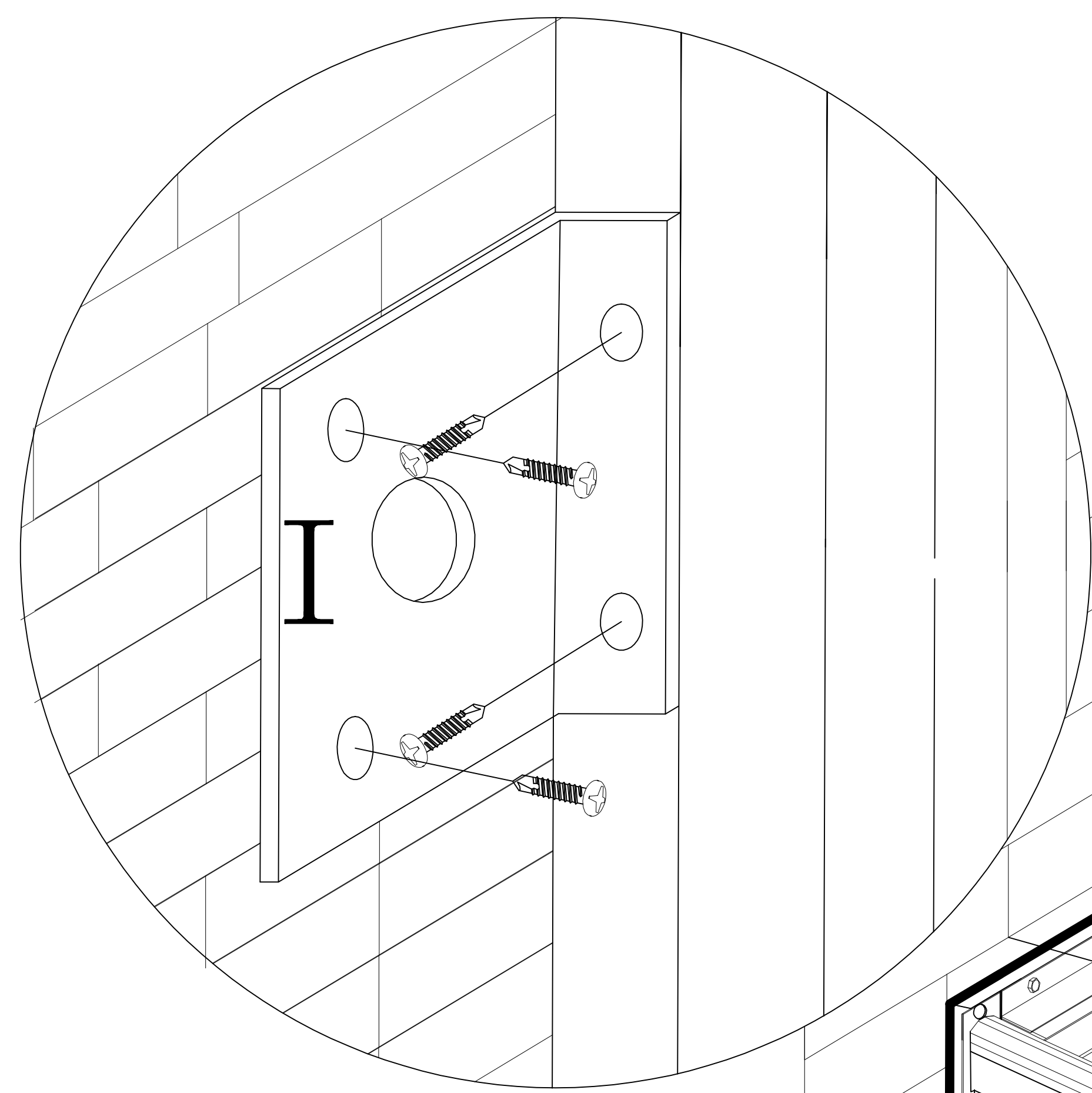
A



x2

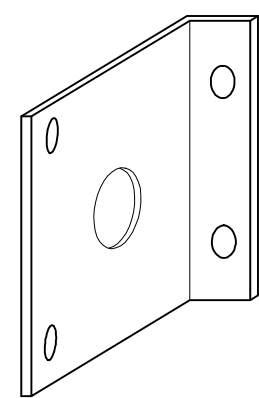


11



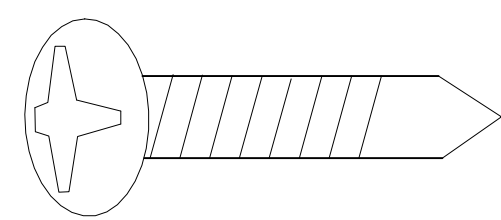
Please reinforce with glass glue on the wall, glass glue is not including.

I



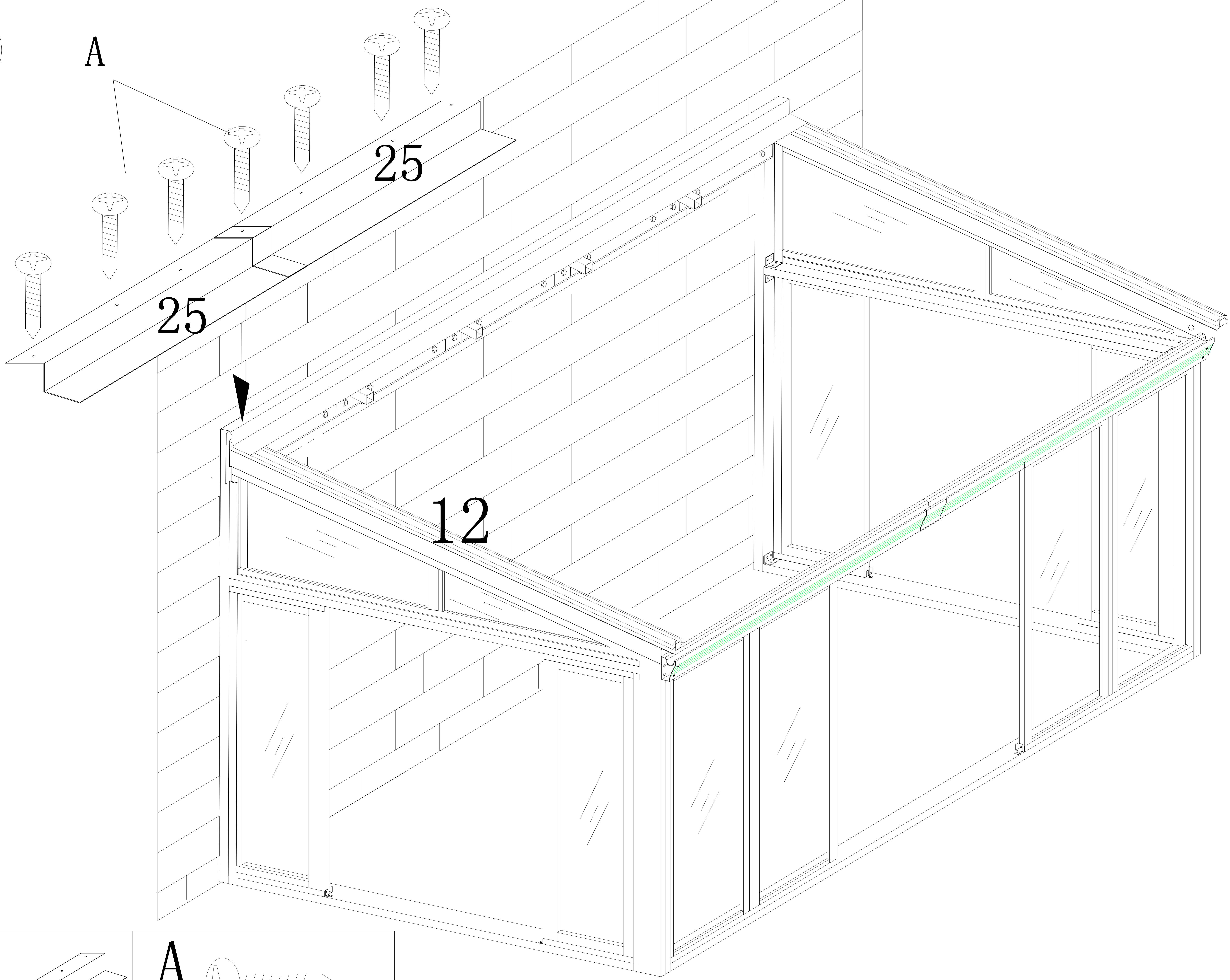
×10

A



x40

12



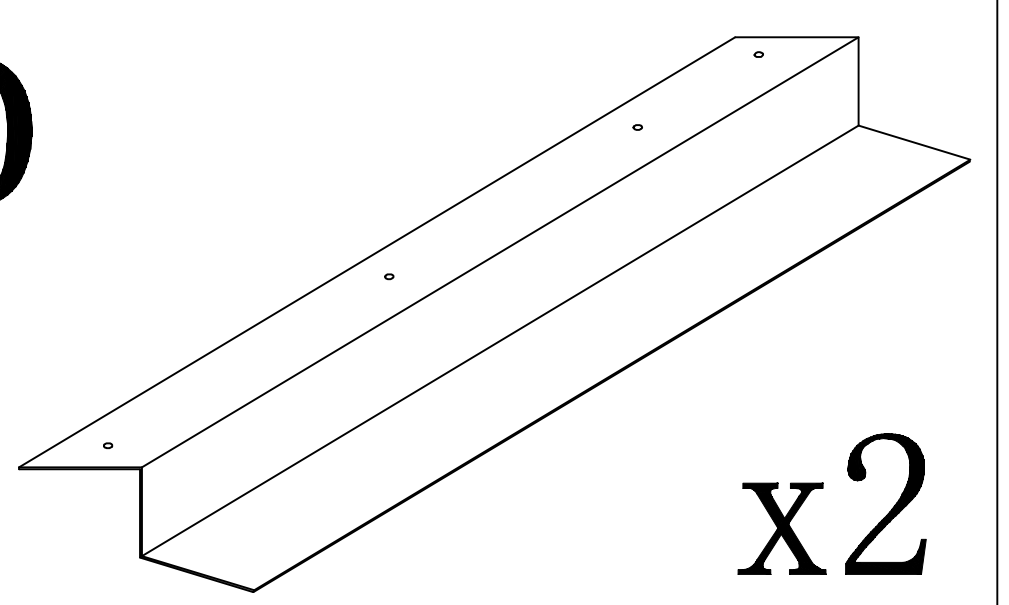
A

25

25

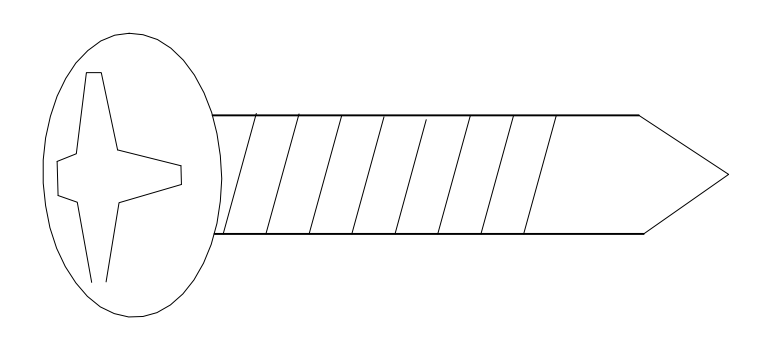
12

25



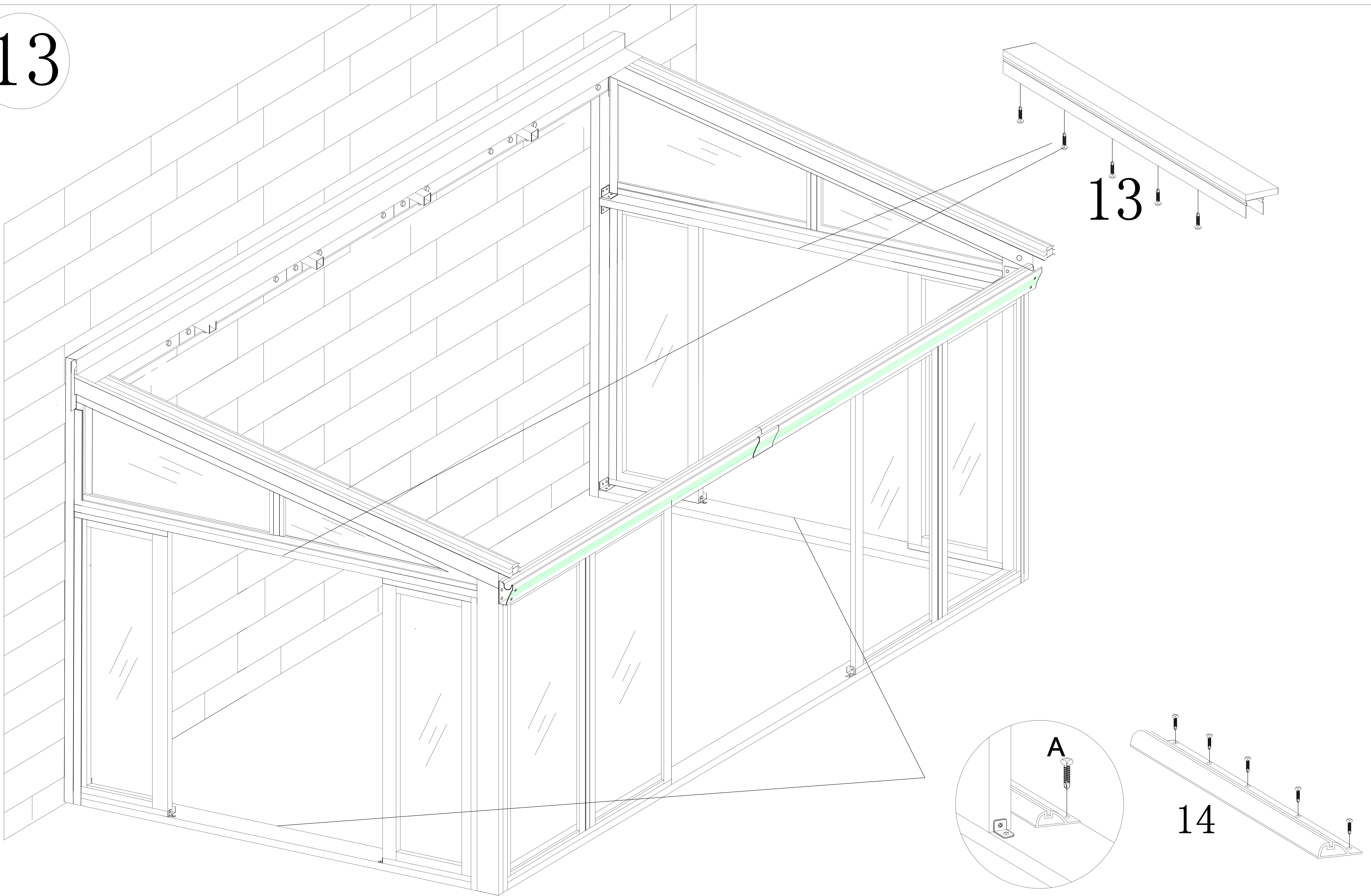
x2

A

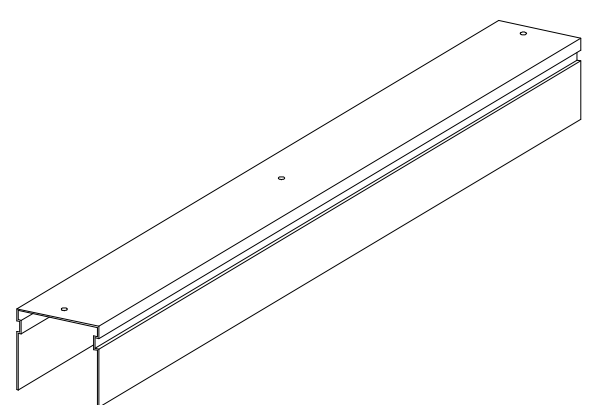


x7

13

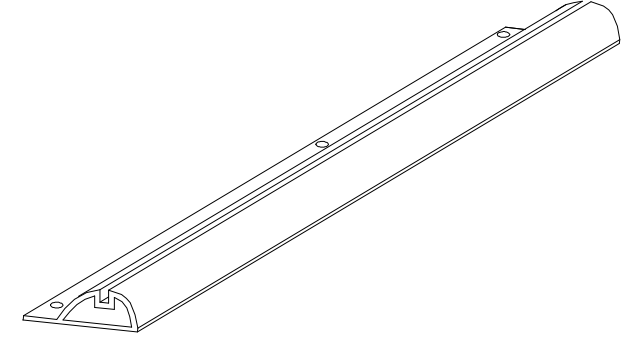


13



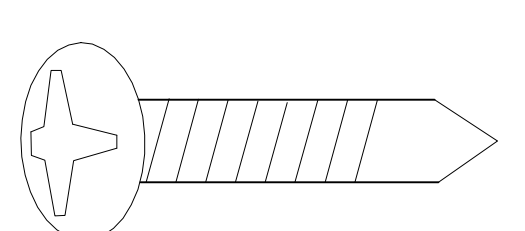
x2

14

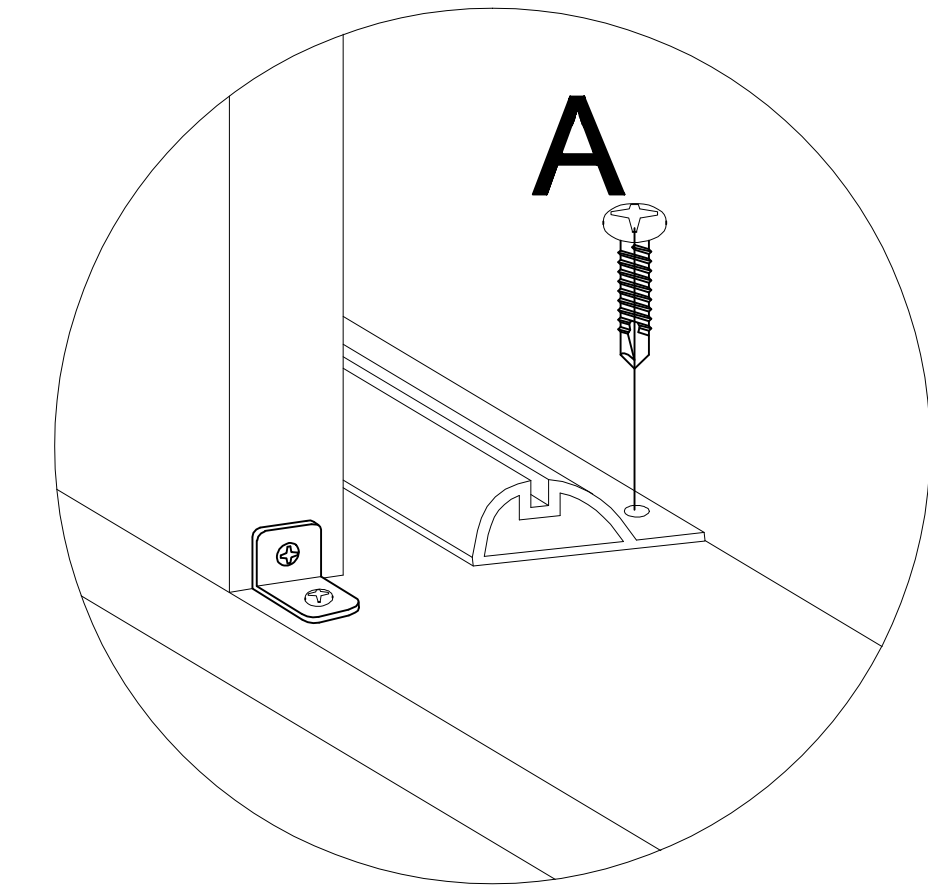


x2

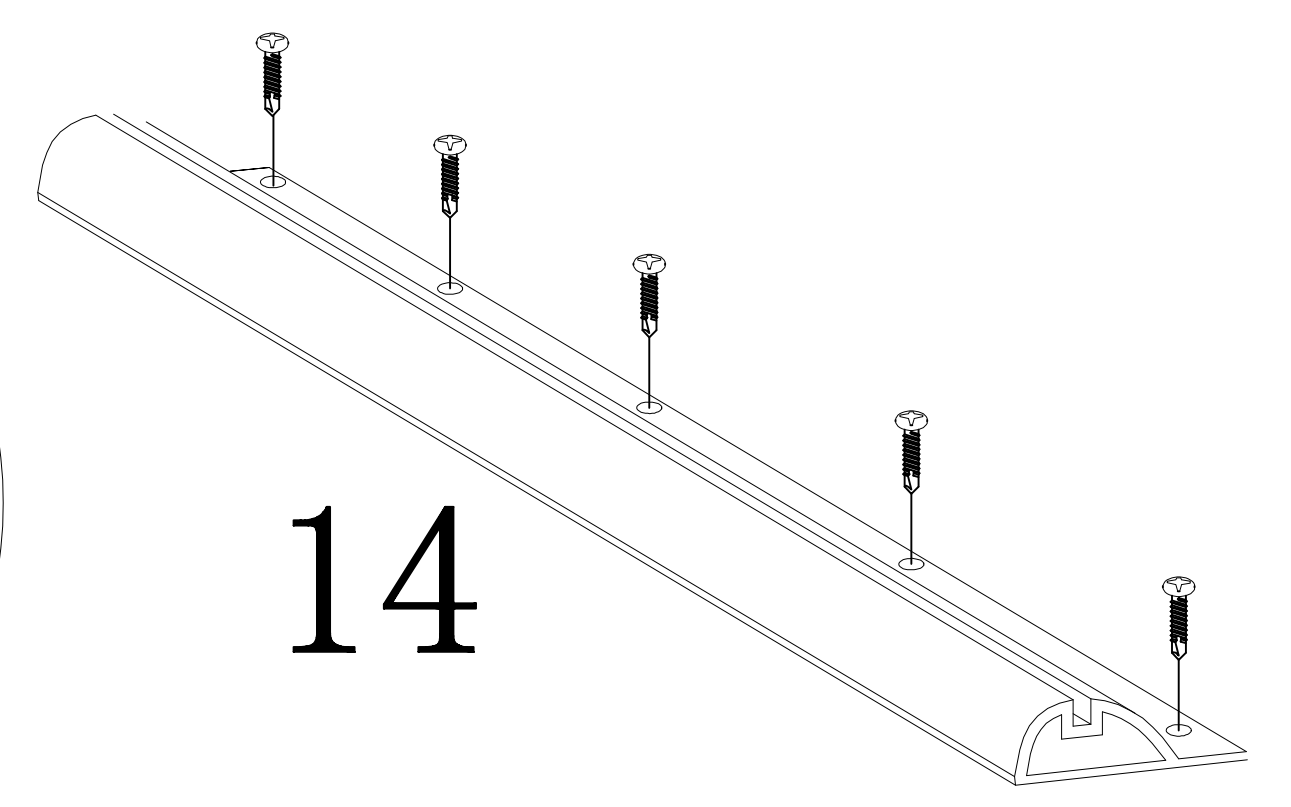
A



x20



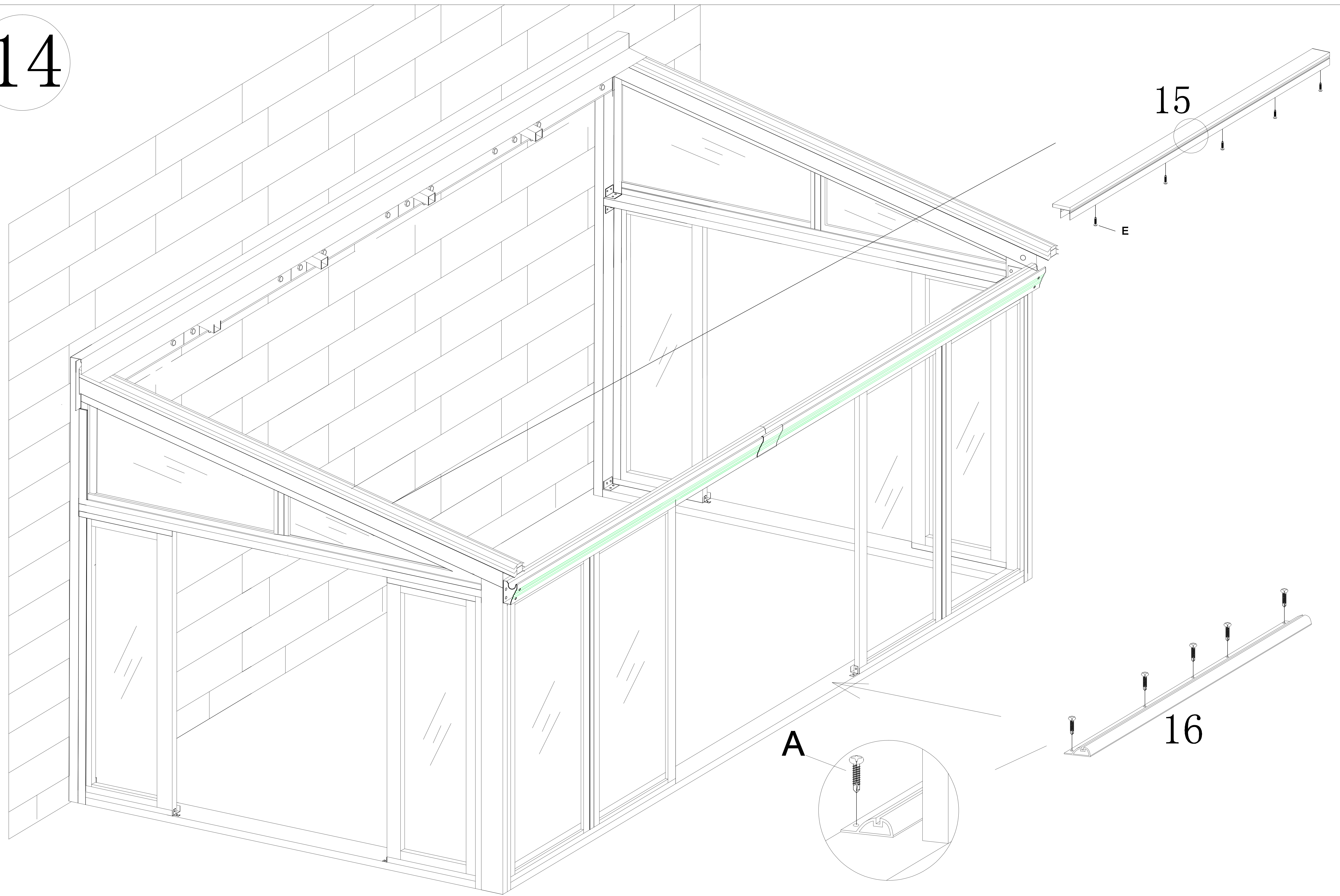
13



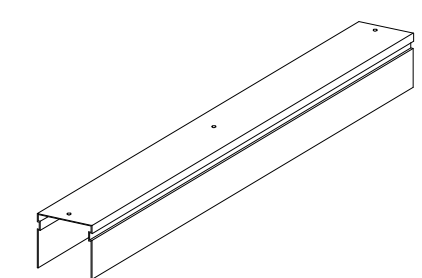
14



14

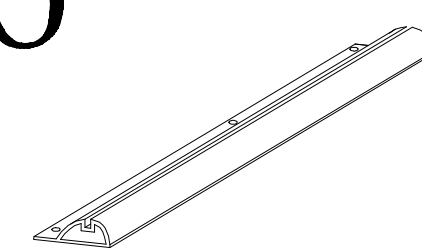


15



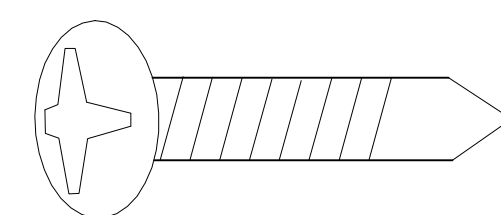
x1

16



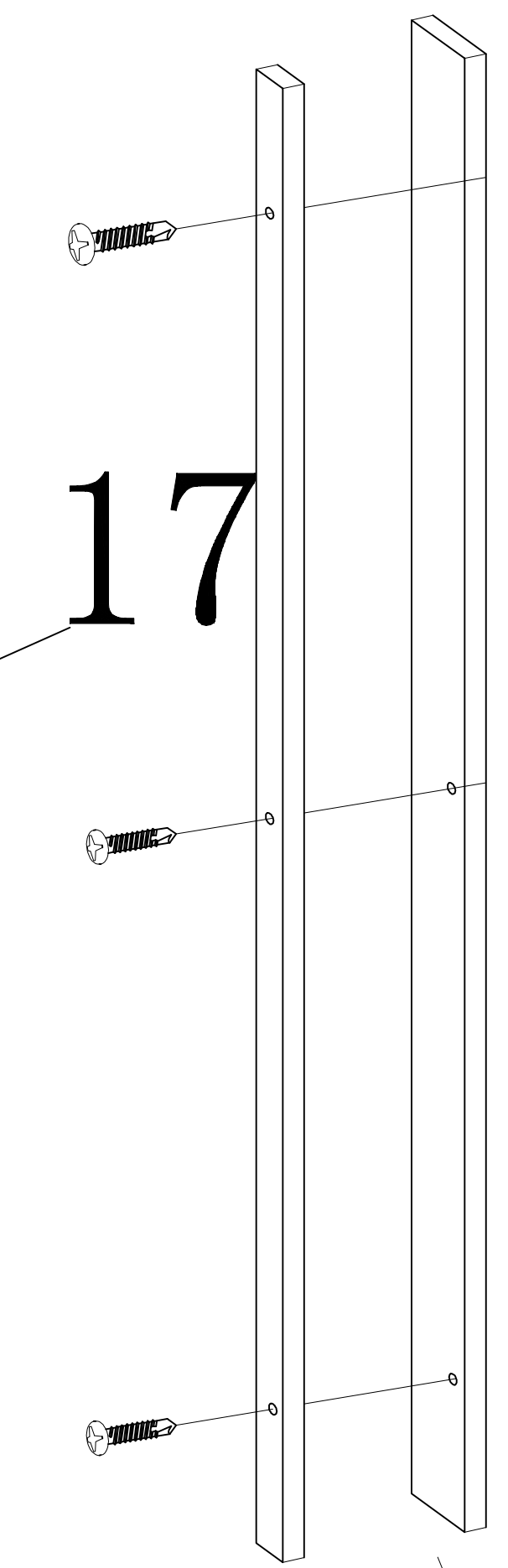
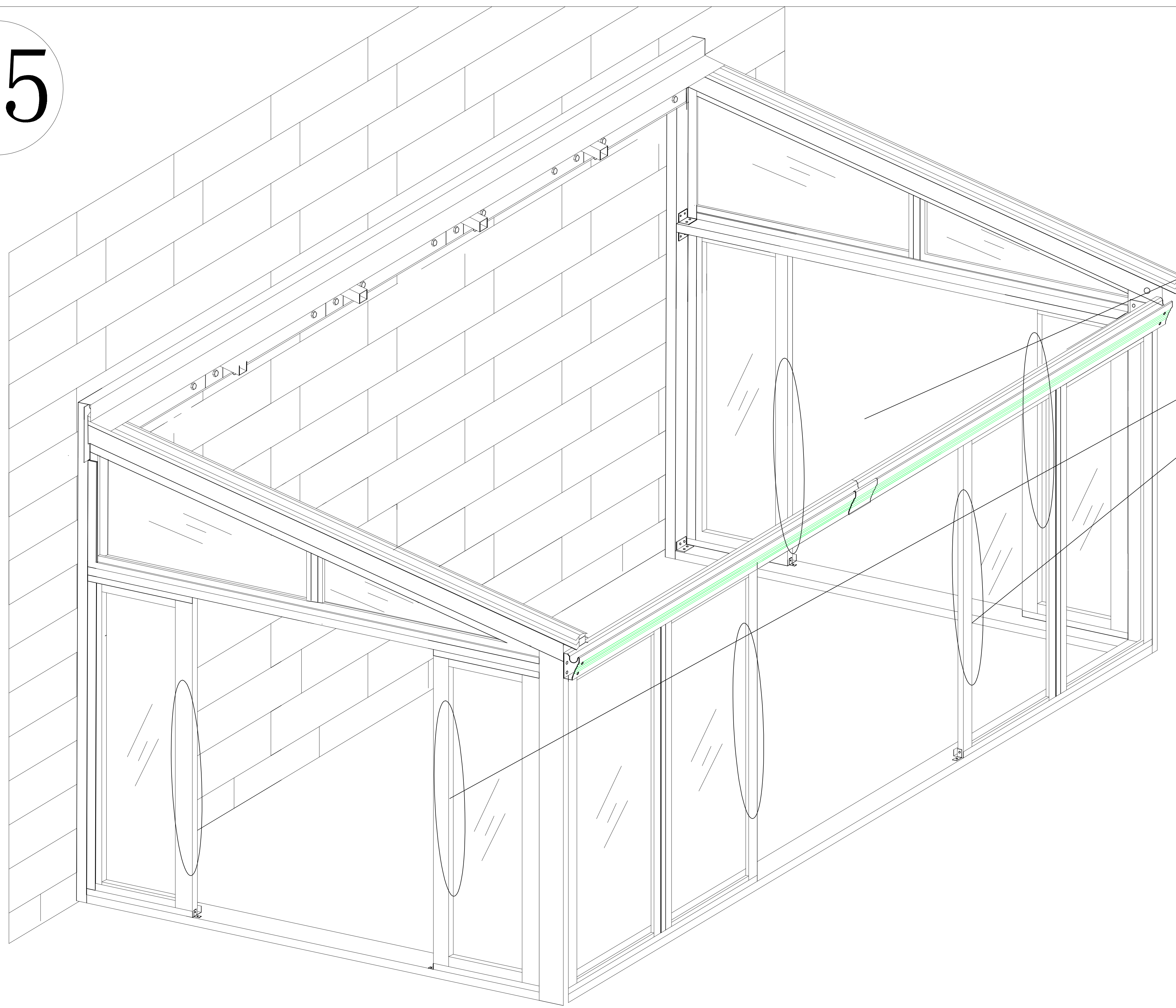
x1

A



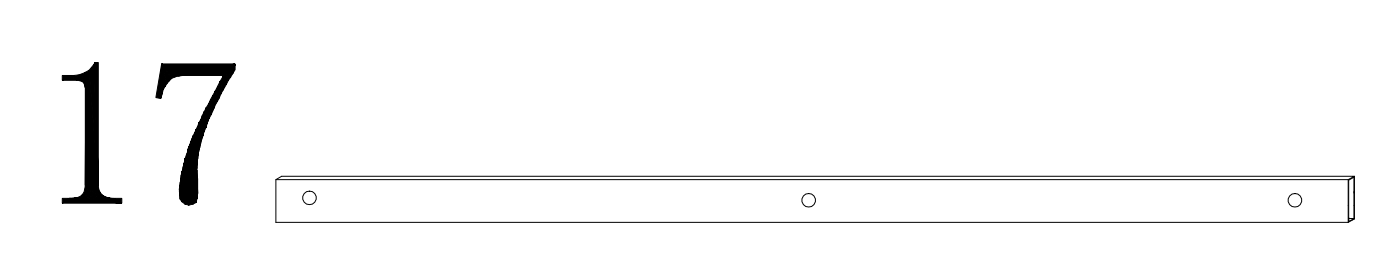
x10

15



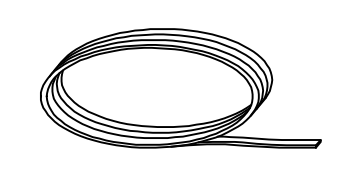
17

L

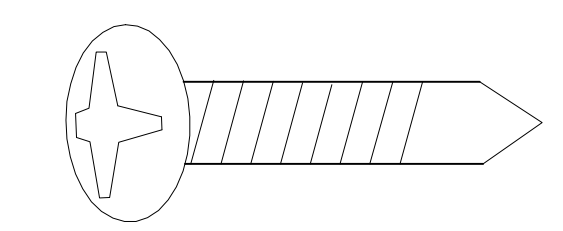


x6

L

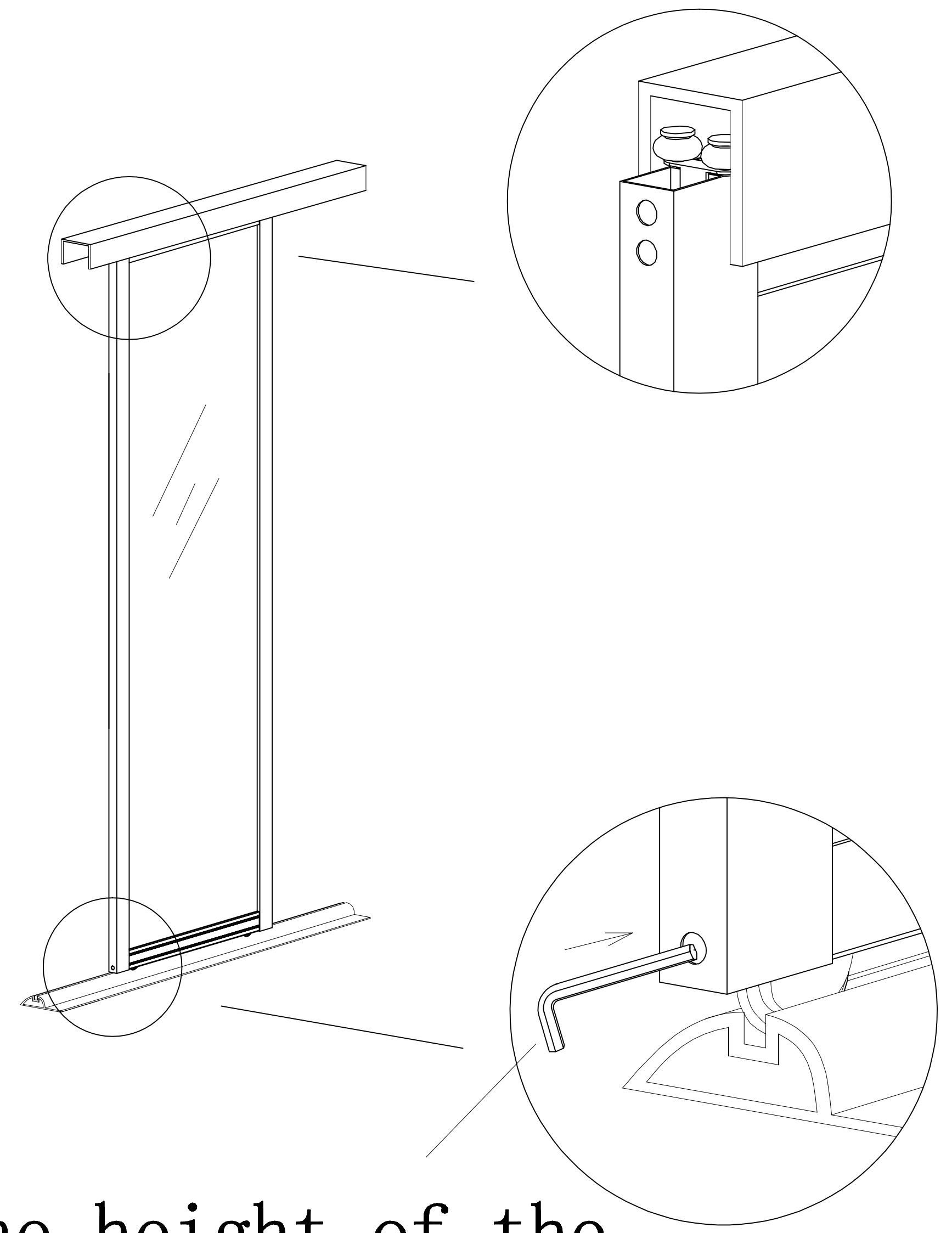
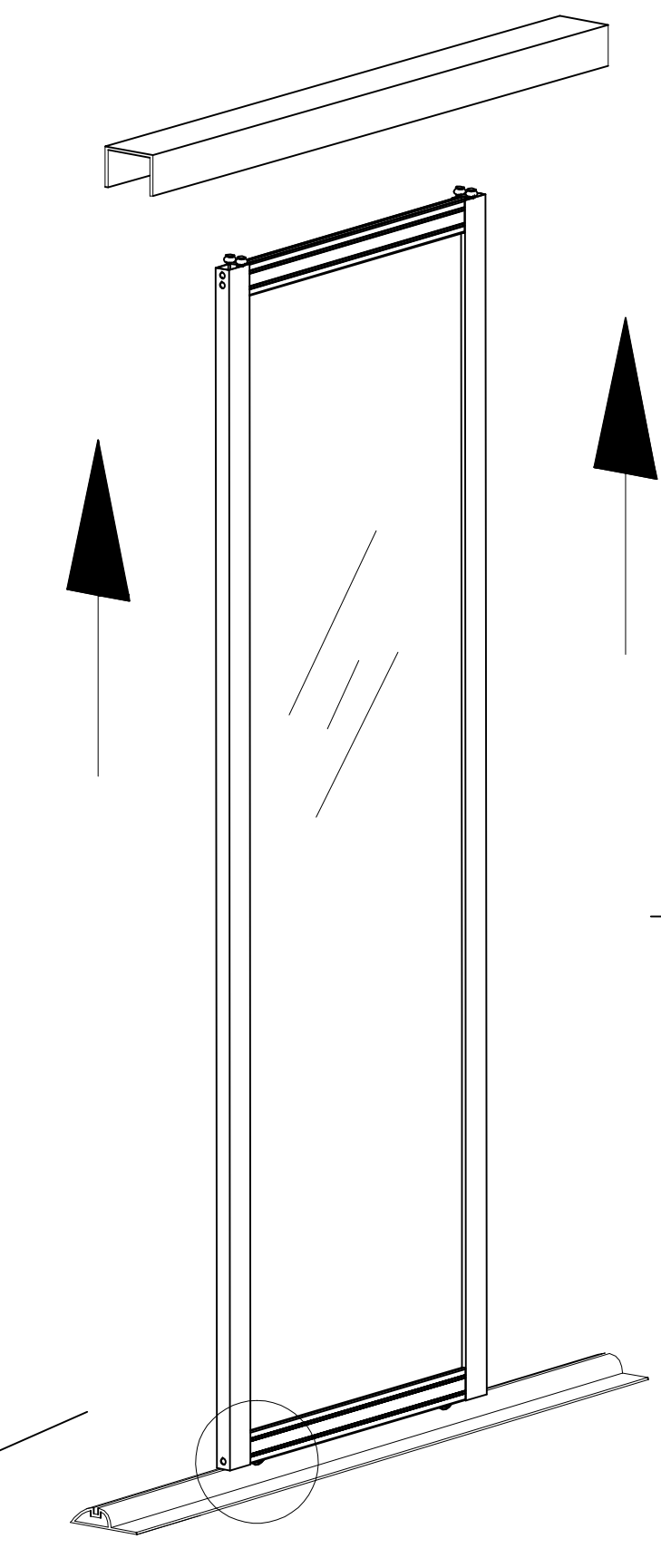
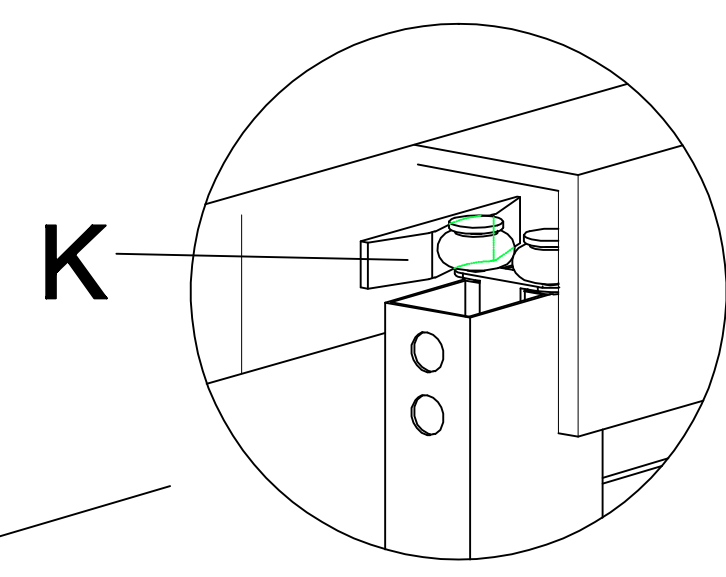
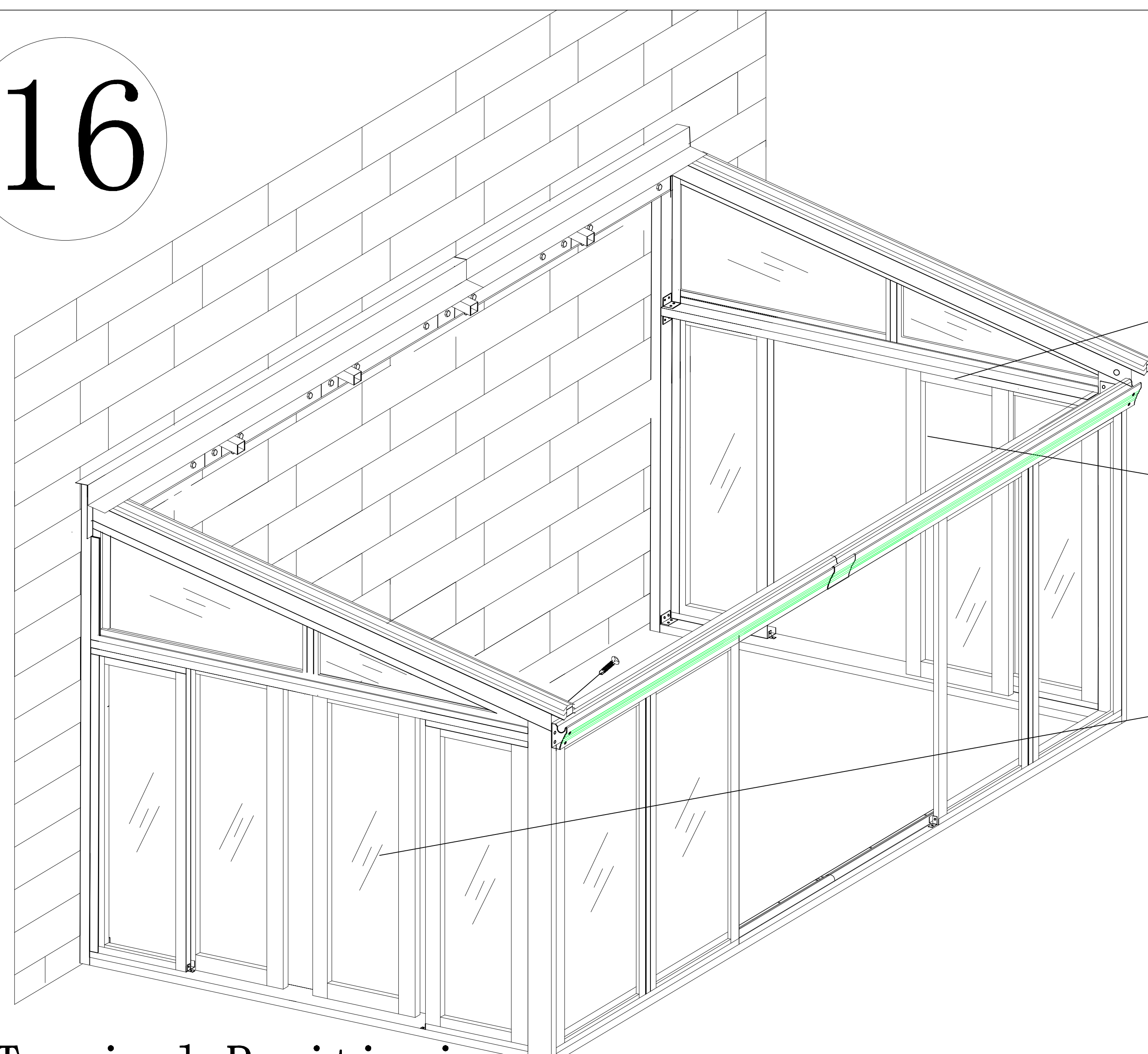


A

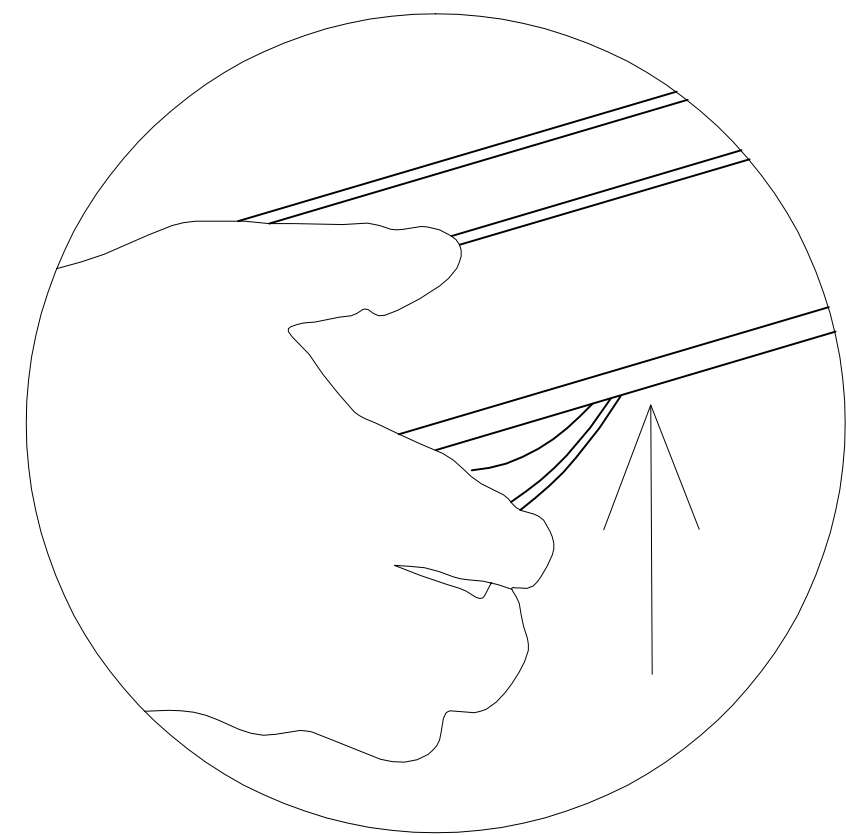


x18

16



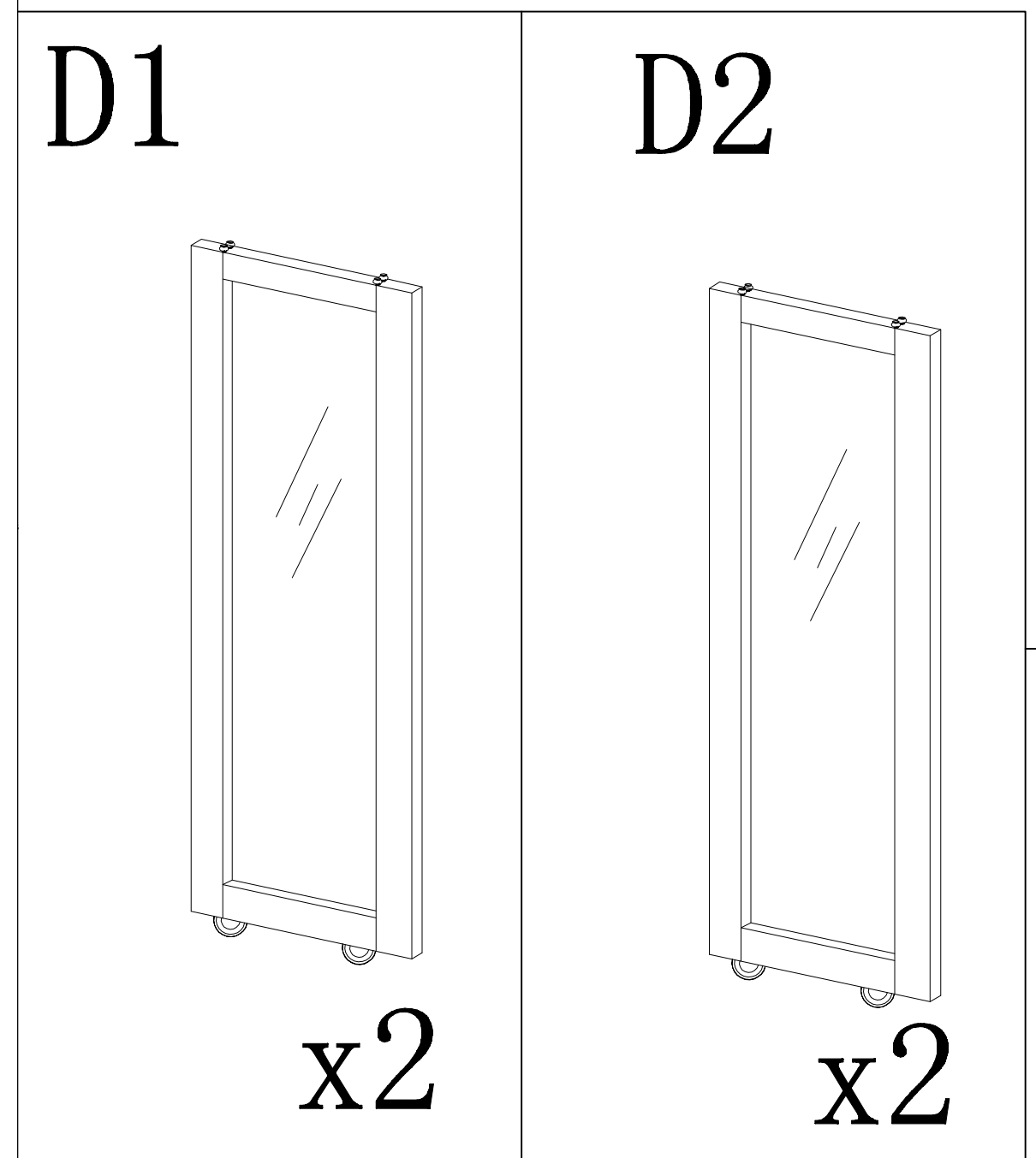
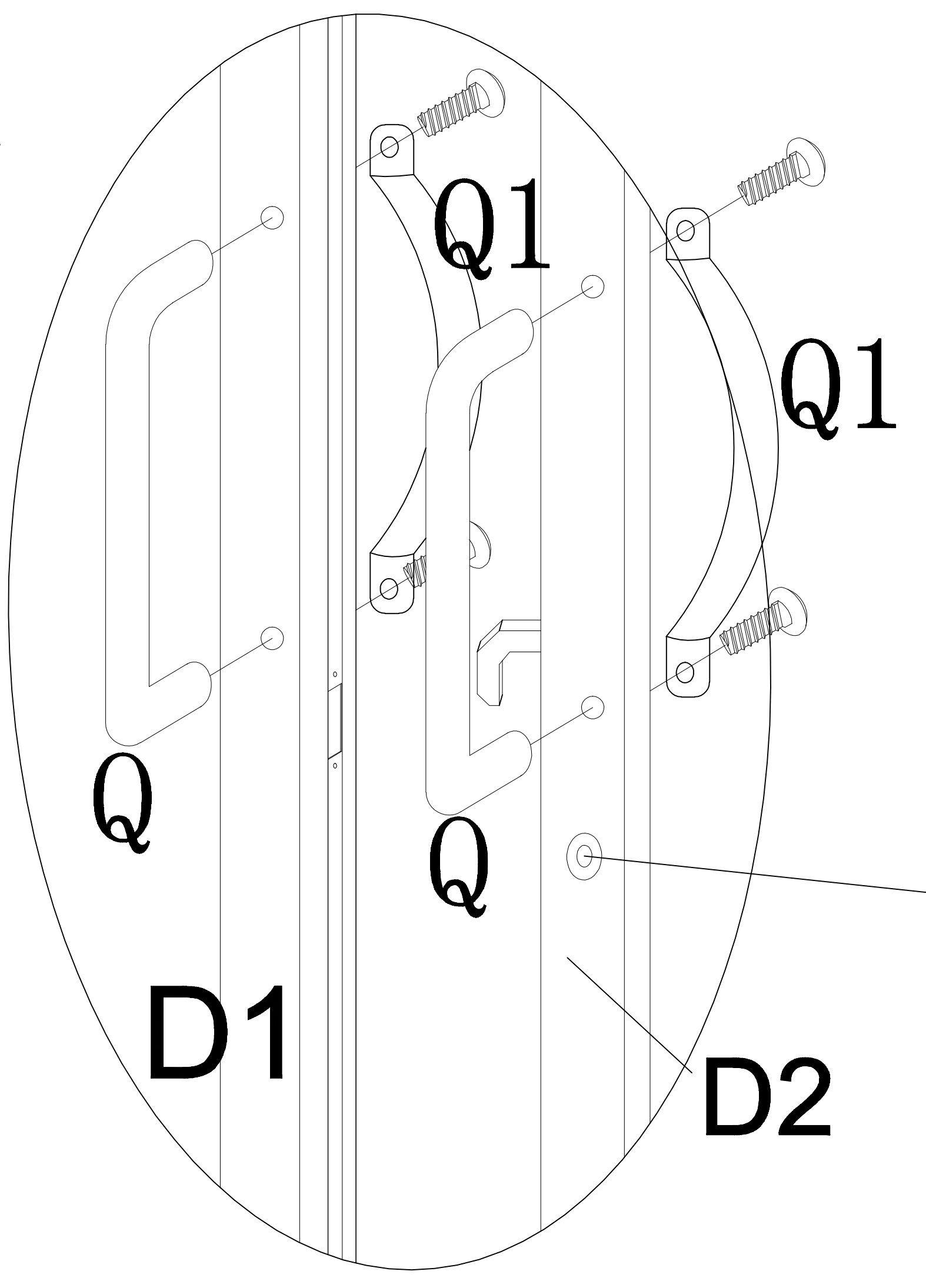
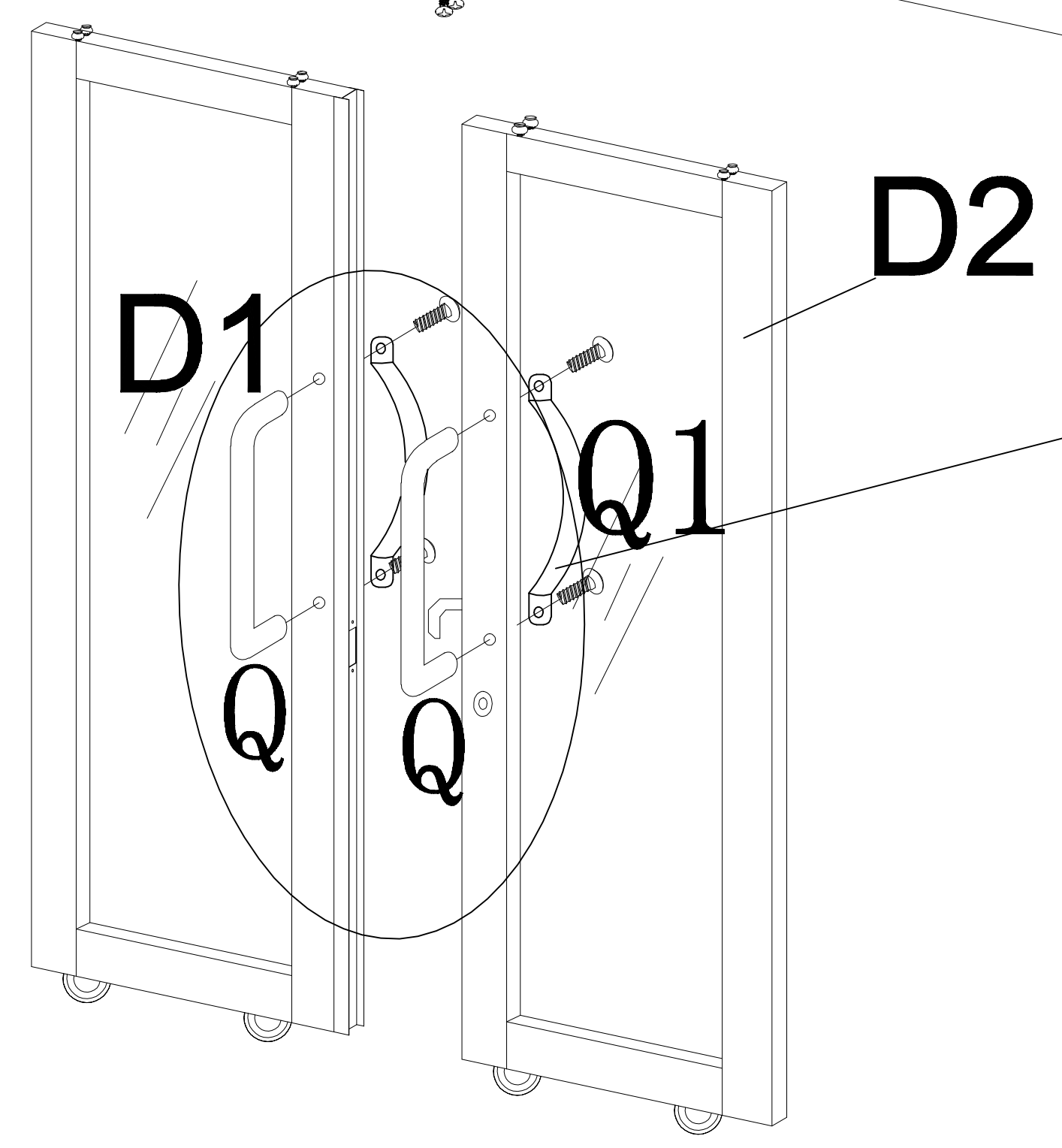
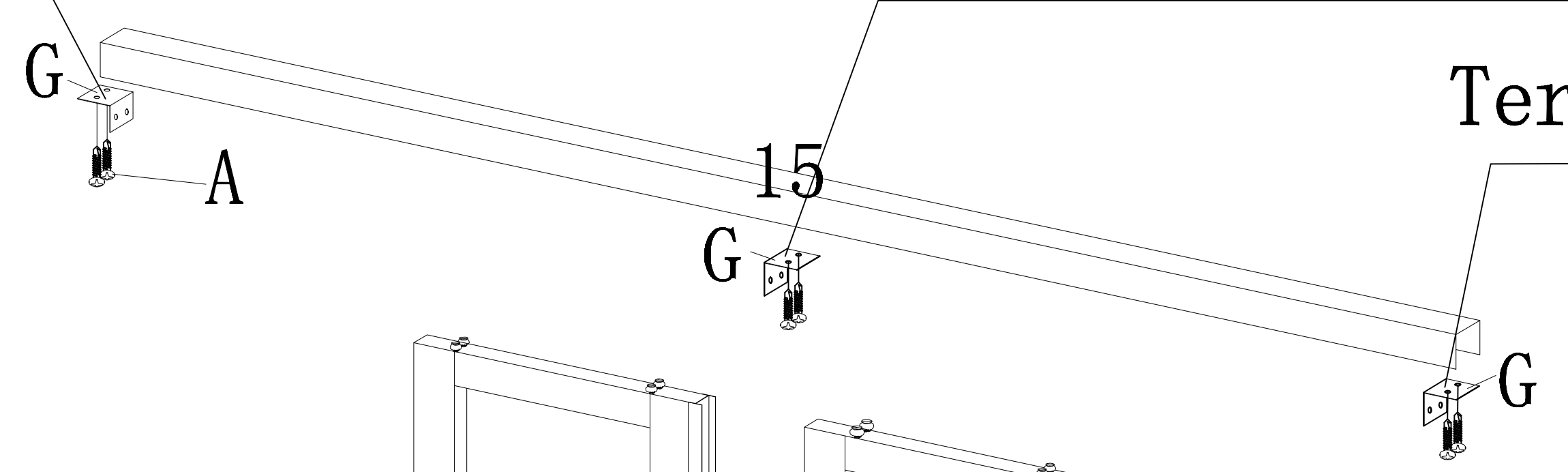
The height of the door can be adjusted here

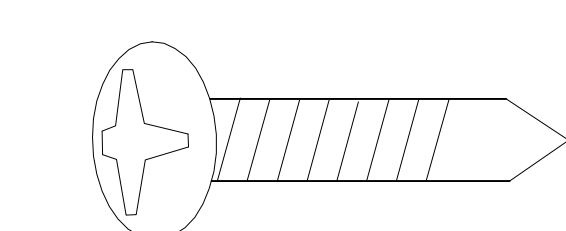
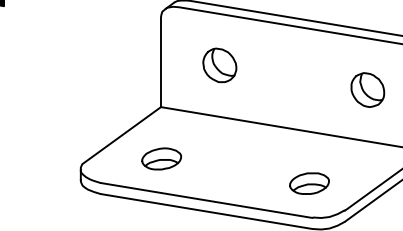
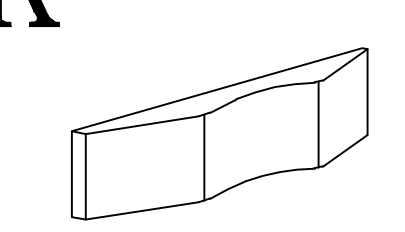
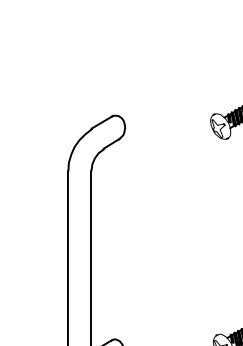
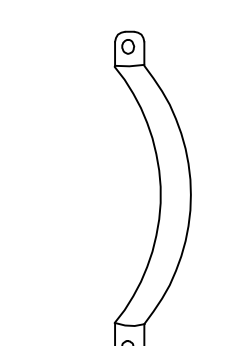


Terminal Positioning

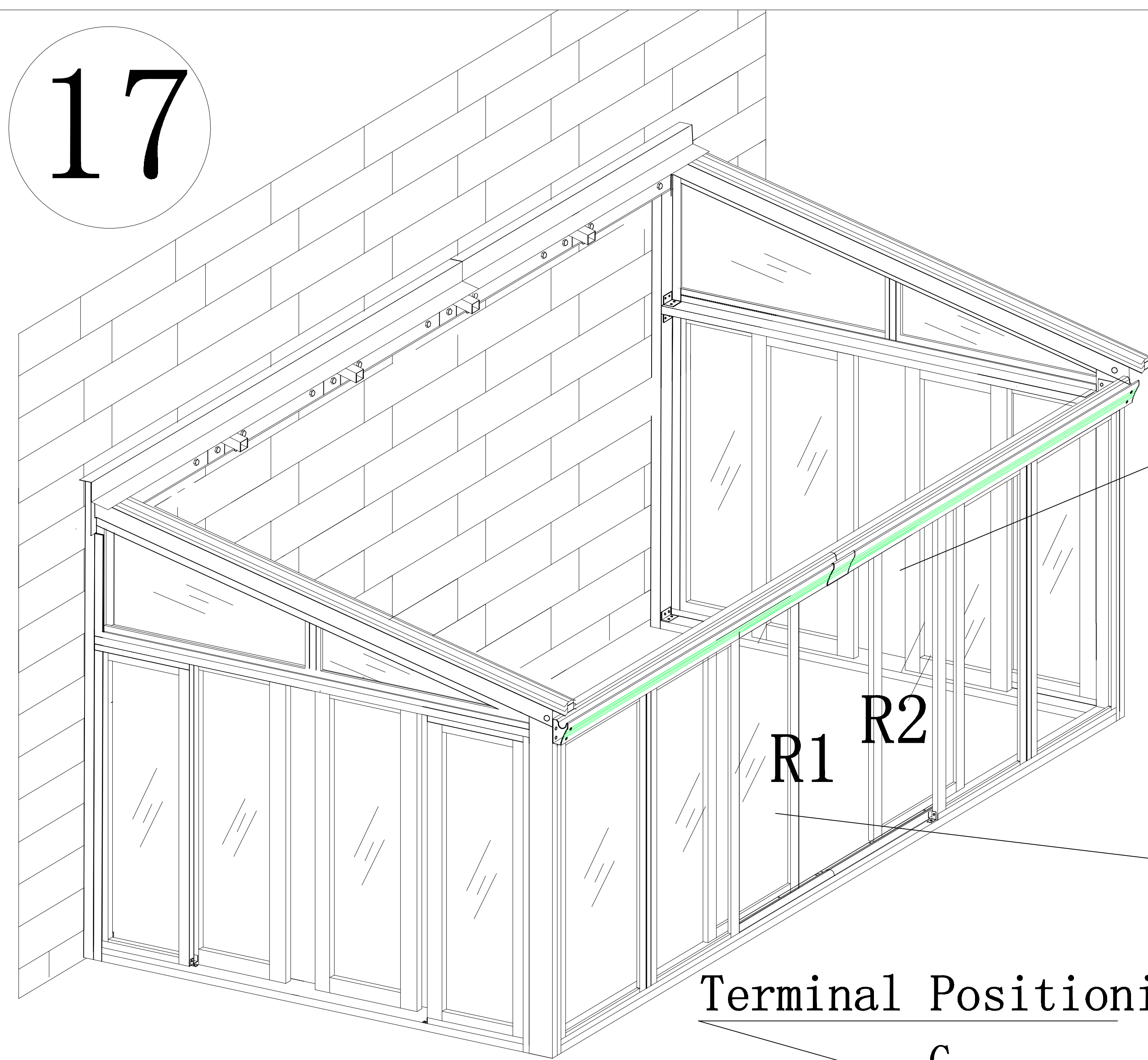
Centralized Positioning

Terminal Positioning



<p>A</p>  <p>x12</p>	<p>G</p>  <p>x6</p>	<p>K</p>  <p>x4</p>	<p>Q</p>  <p>x4</p>	<p>Q1</p>  <p>x4</p>
---	---	--	--	---

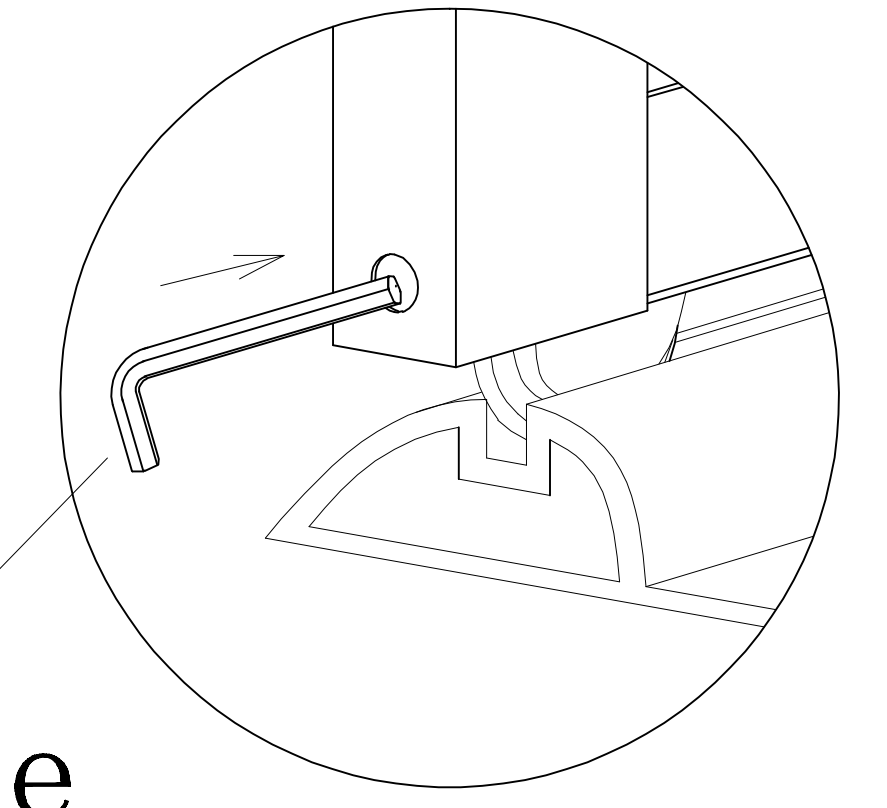
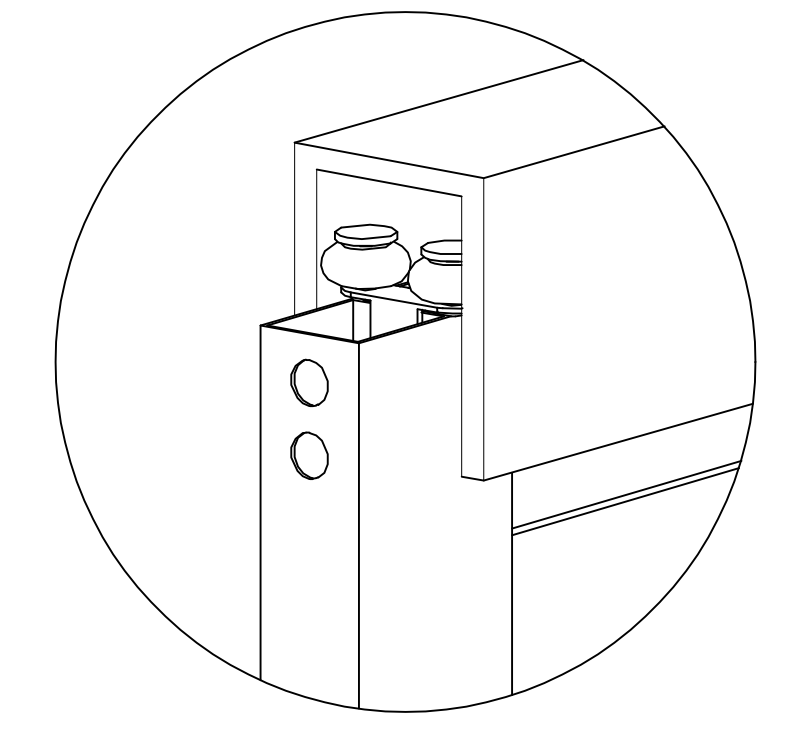
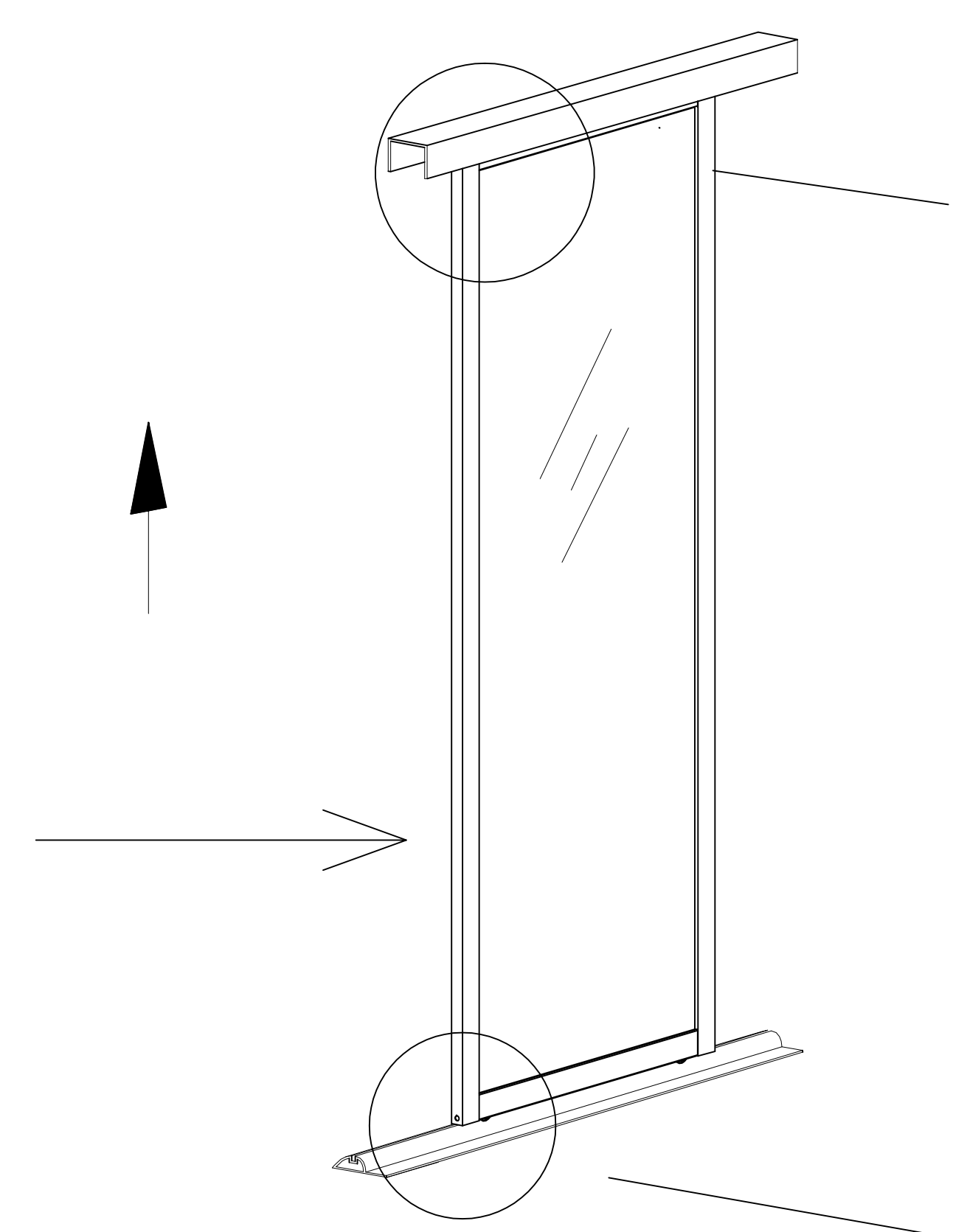
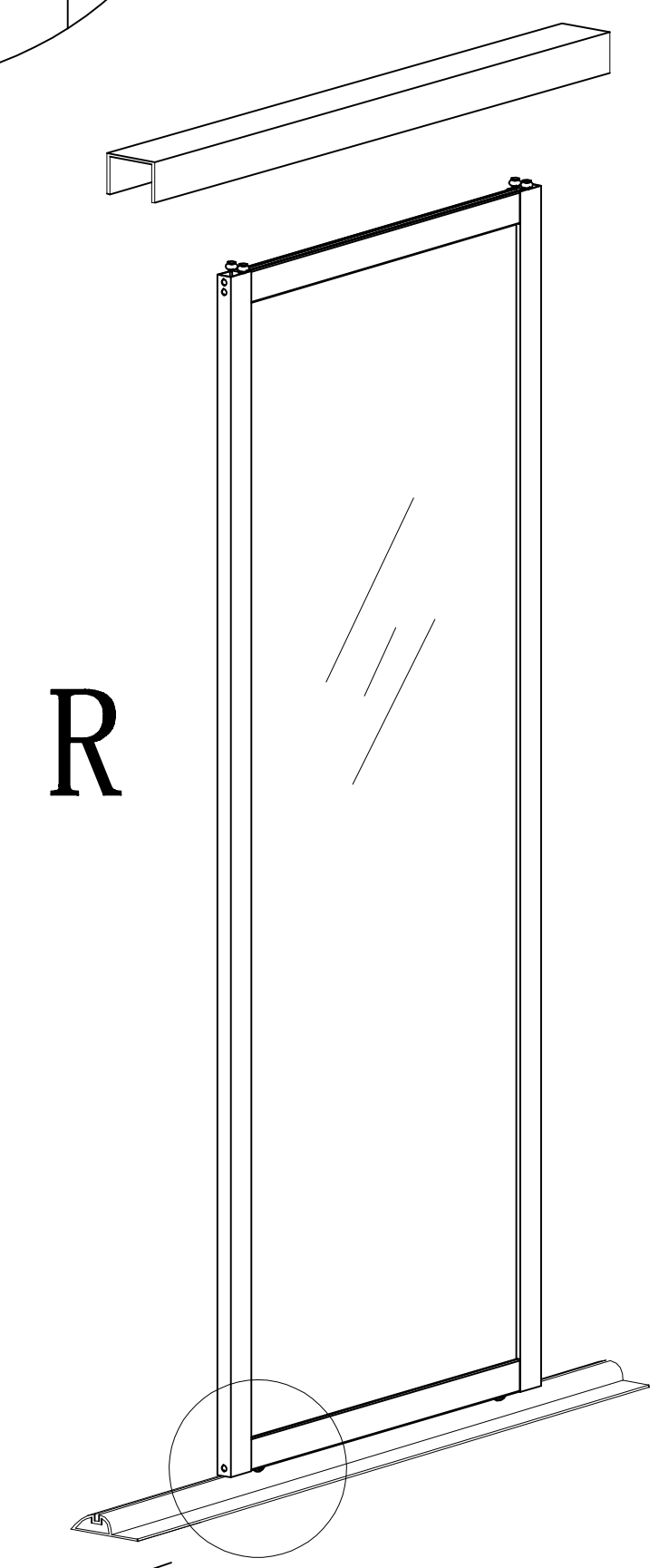
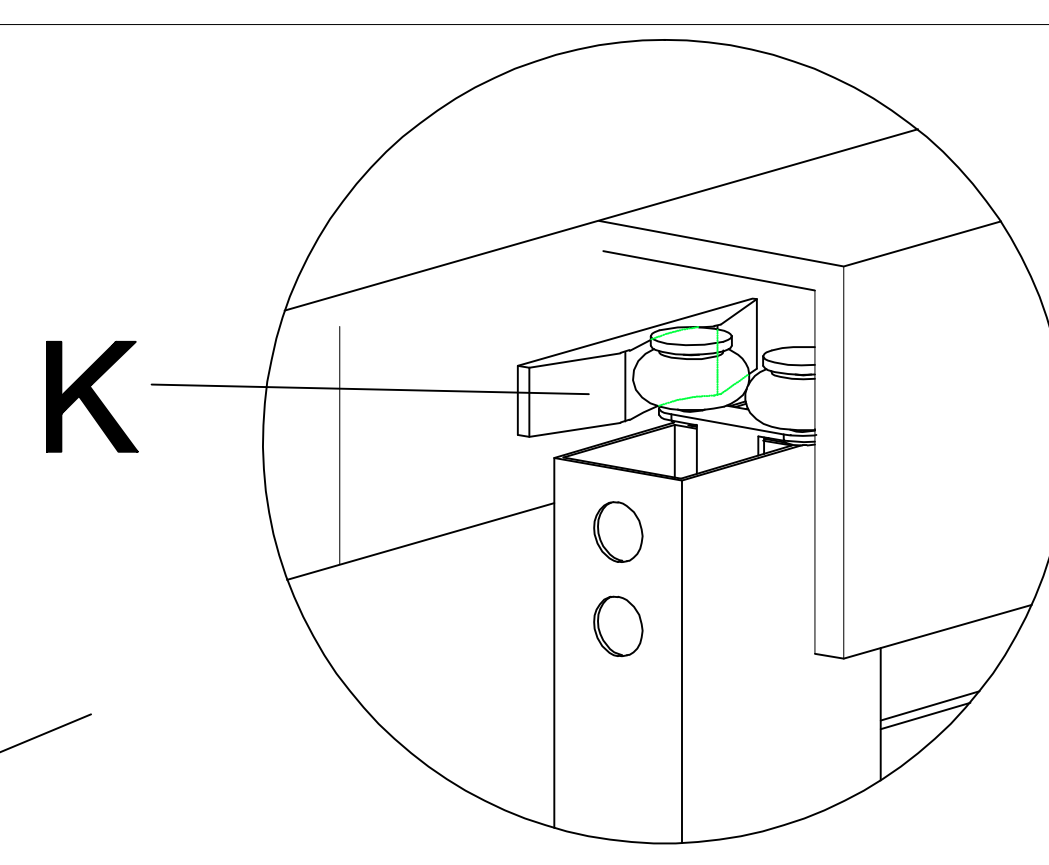
17



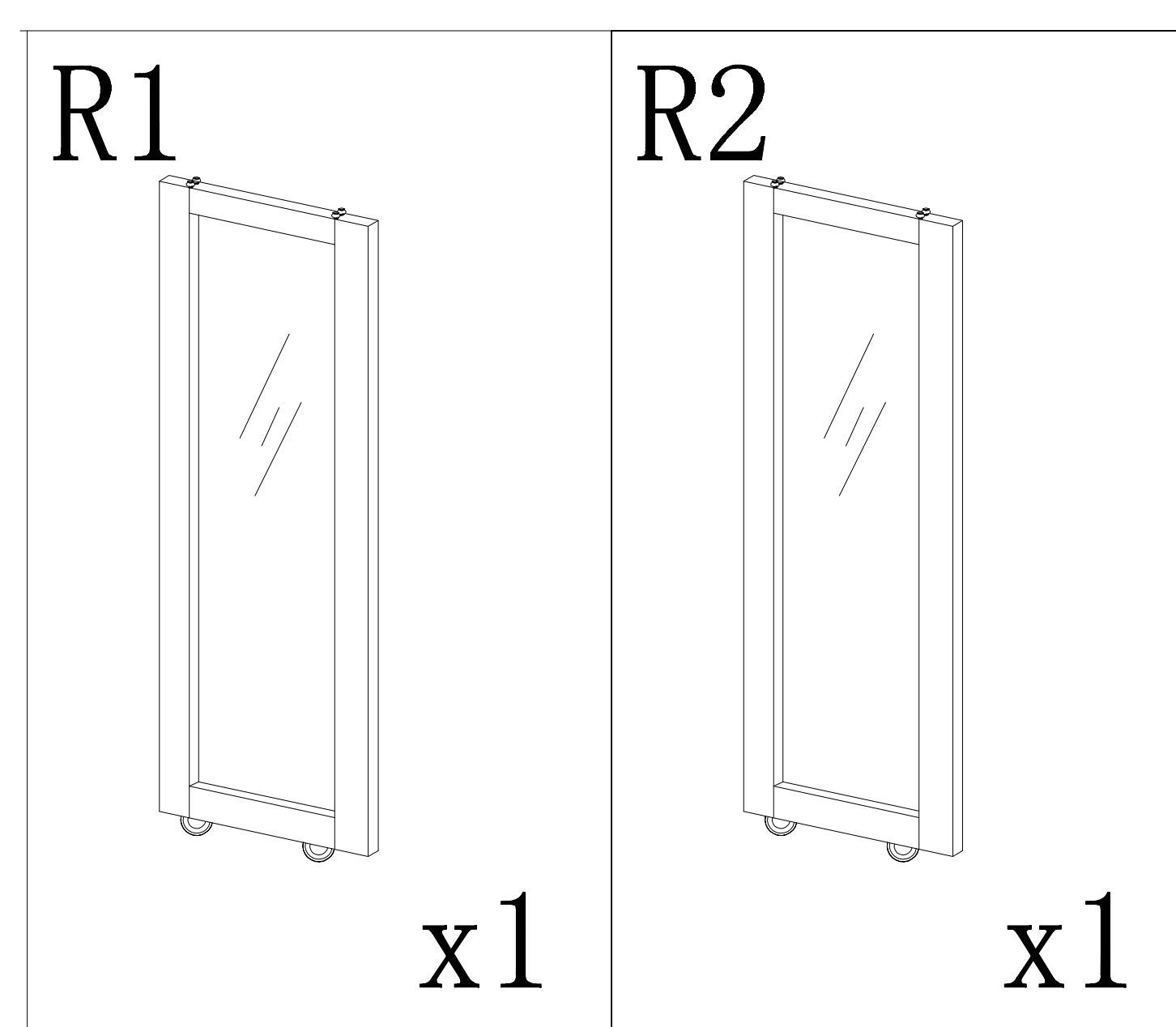
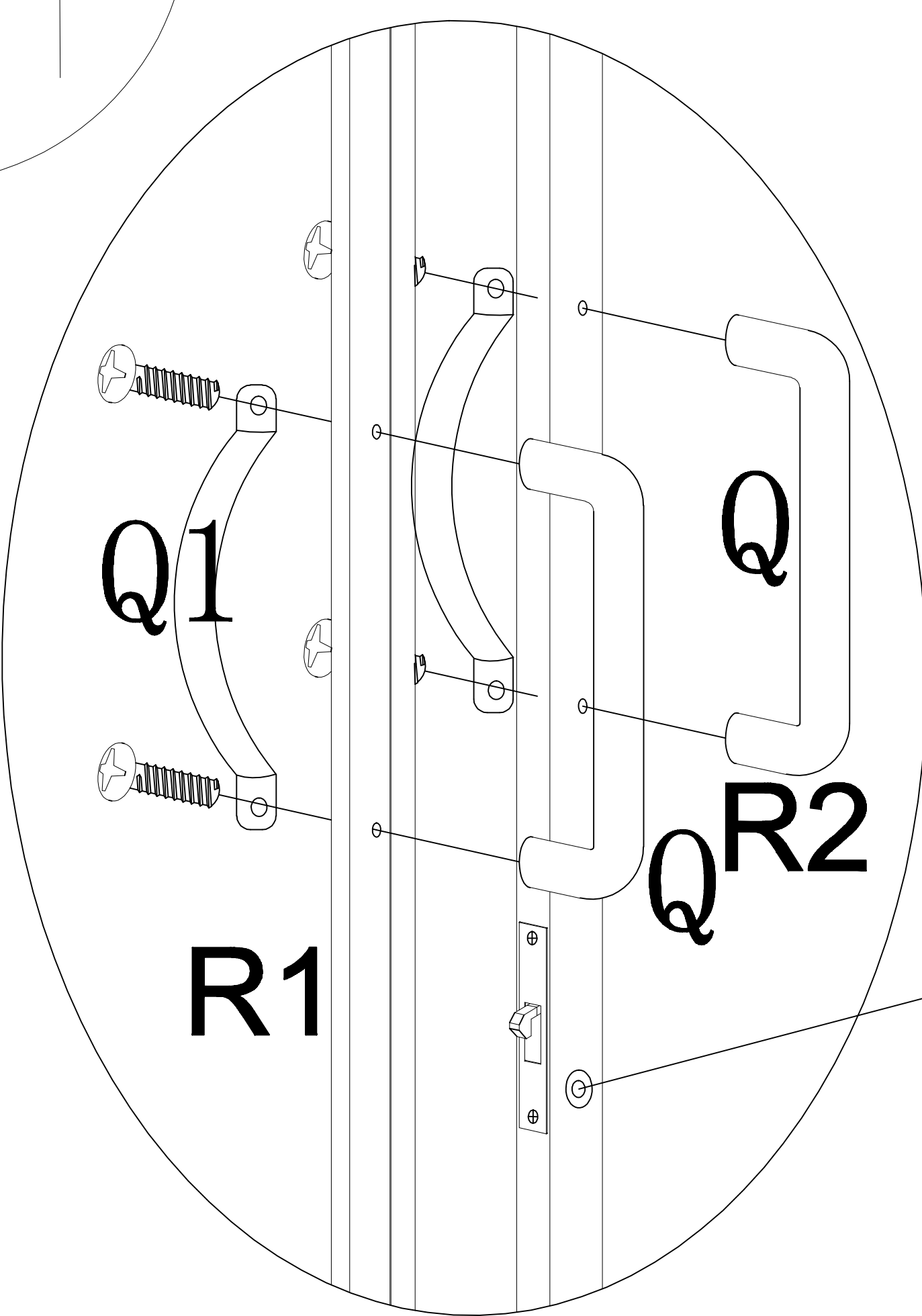
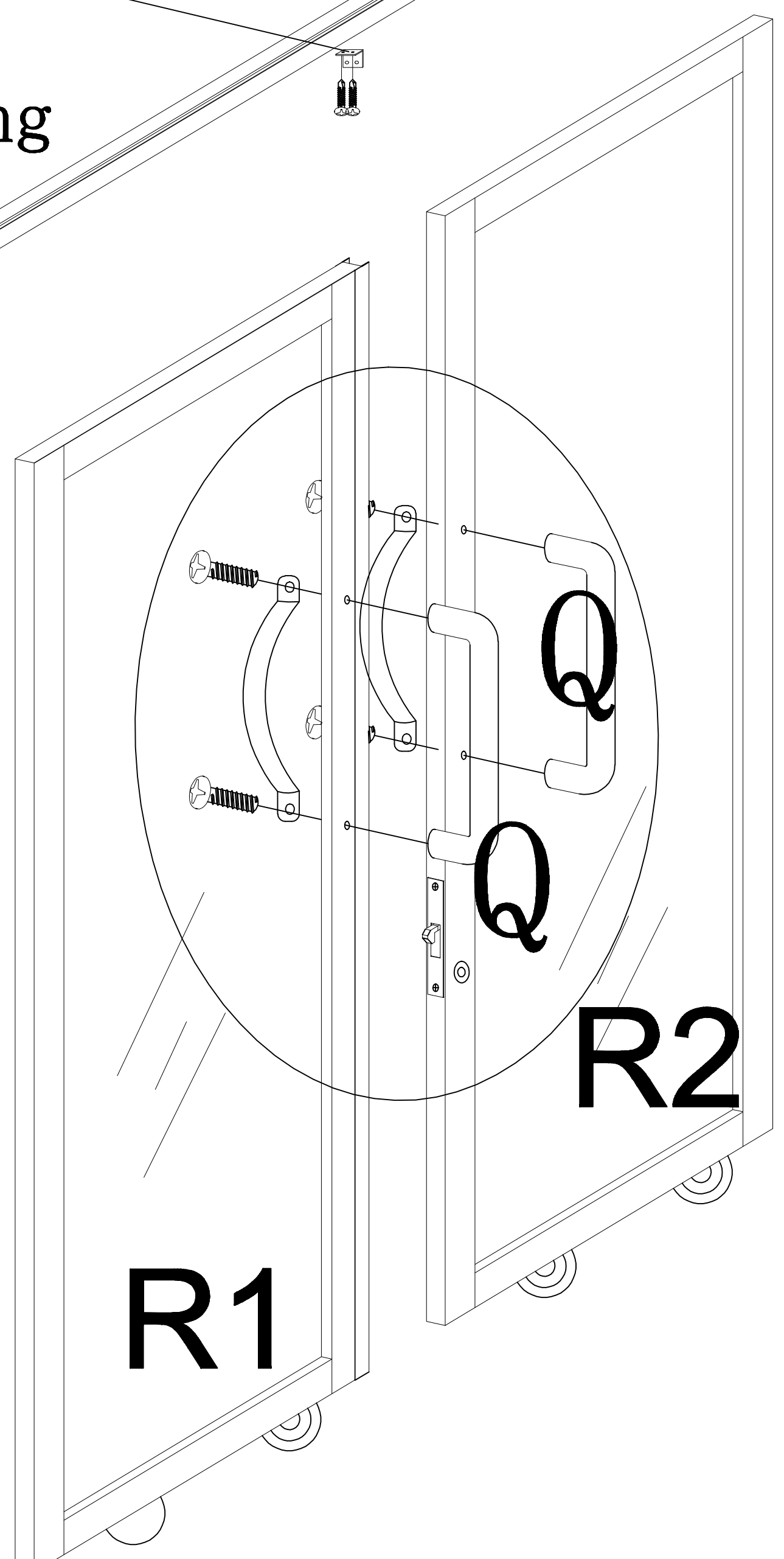
Terminal Positioning

Centralized Positioning

Terminal Positioning

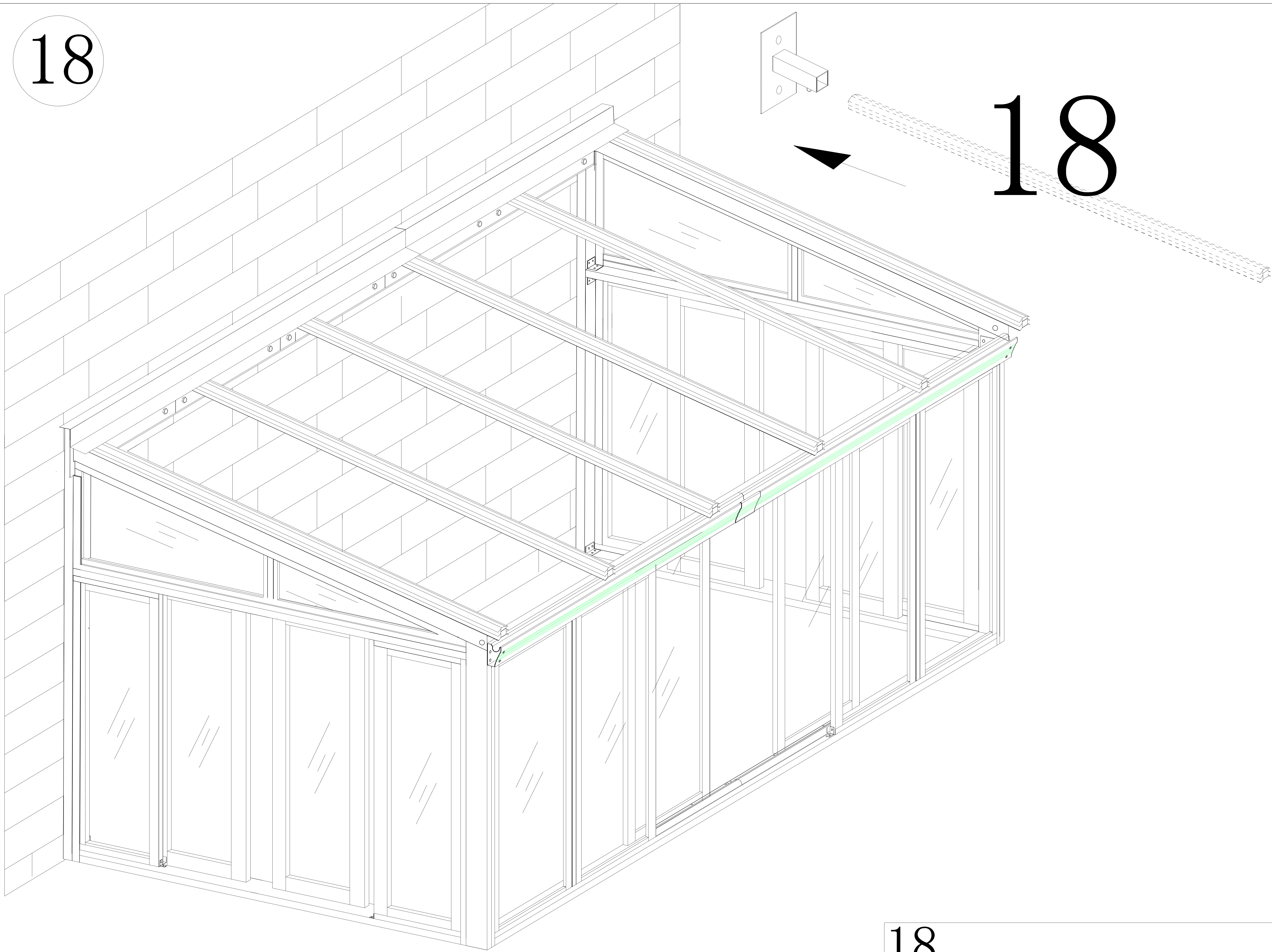


The height of the door can be adjusted here



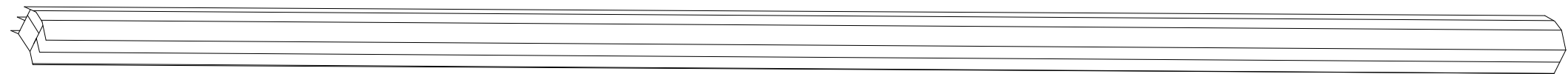
A	G	Q	Q1	K
x6	x3	x2	x2	x2

18



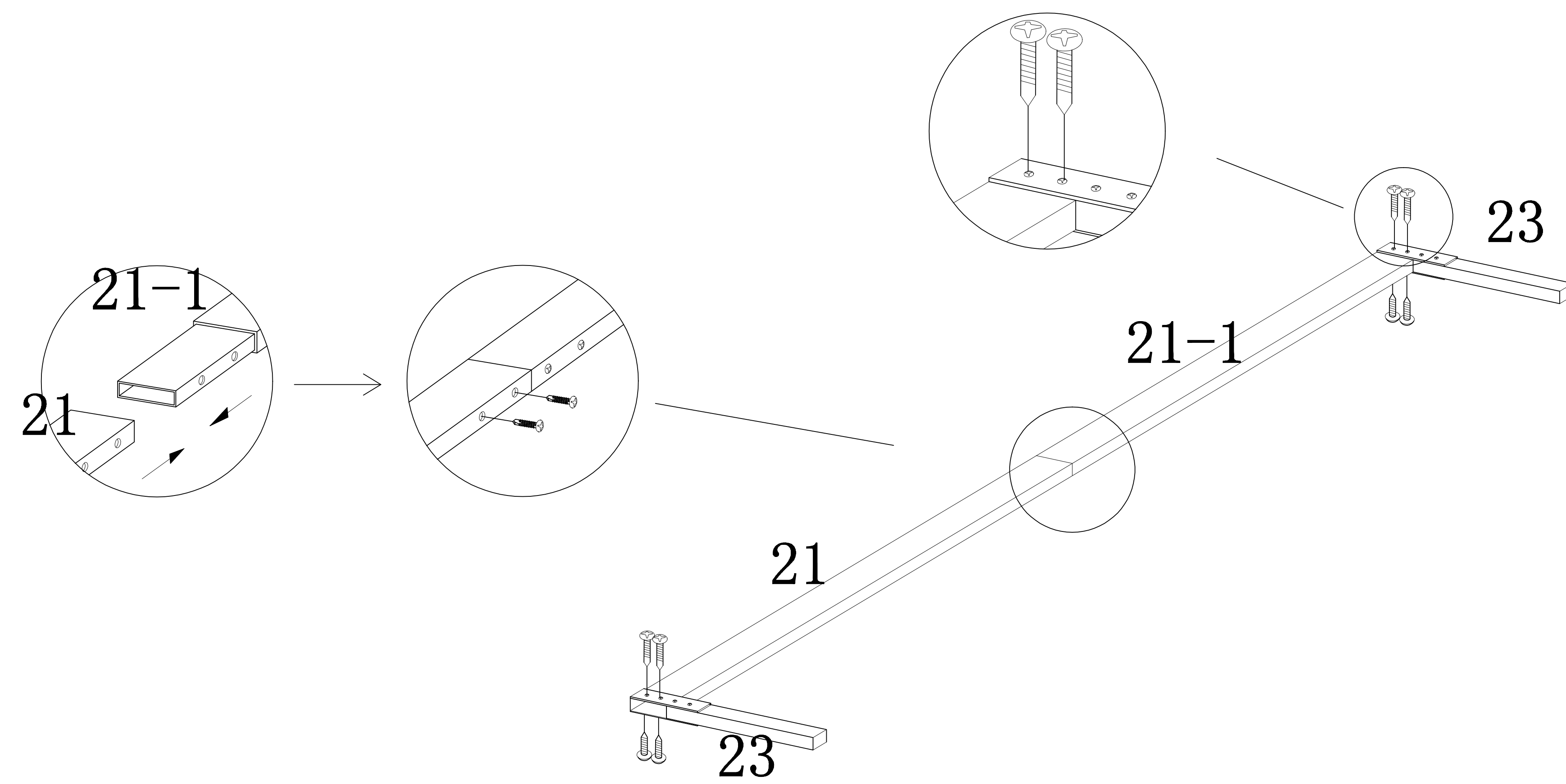
18

18

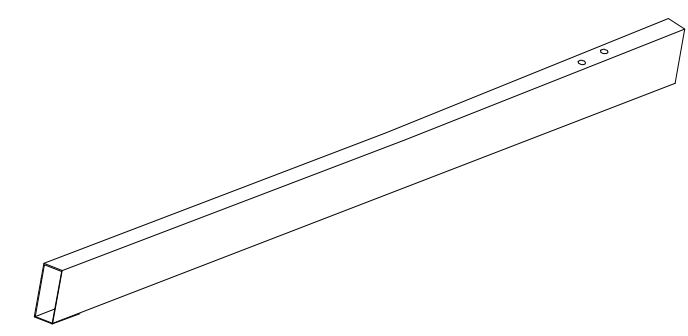


x4

19

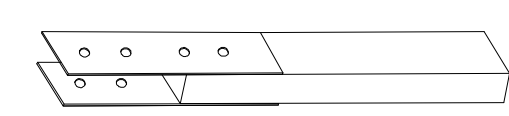


21



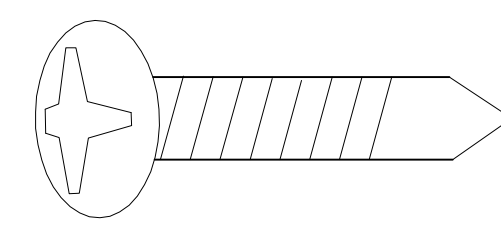
x1

23



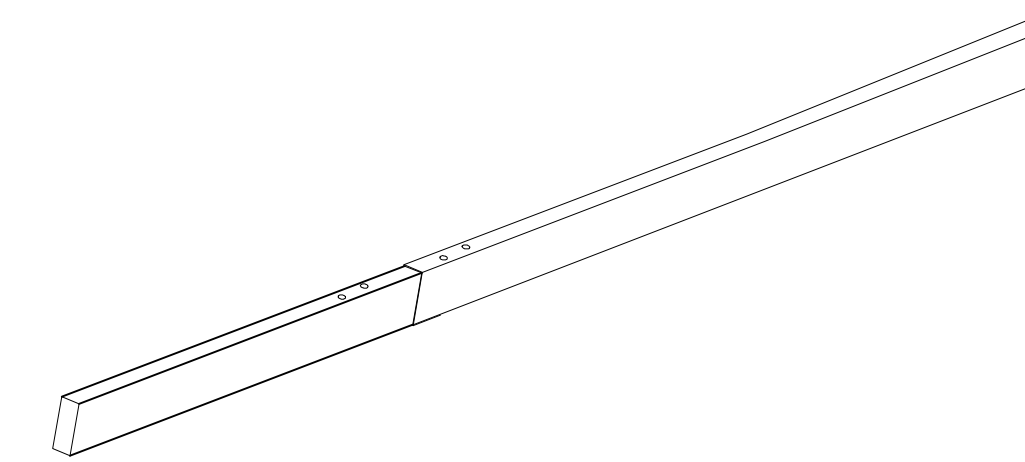
x2

A



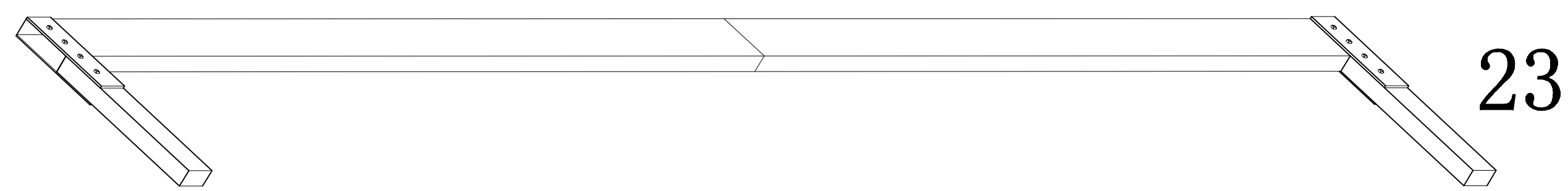
x10

21-1

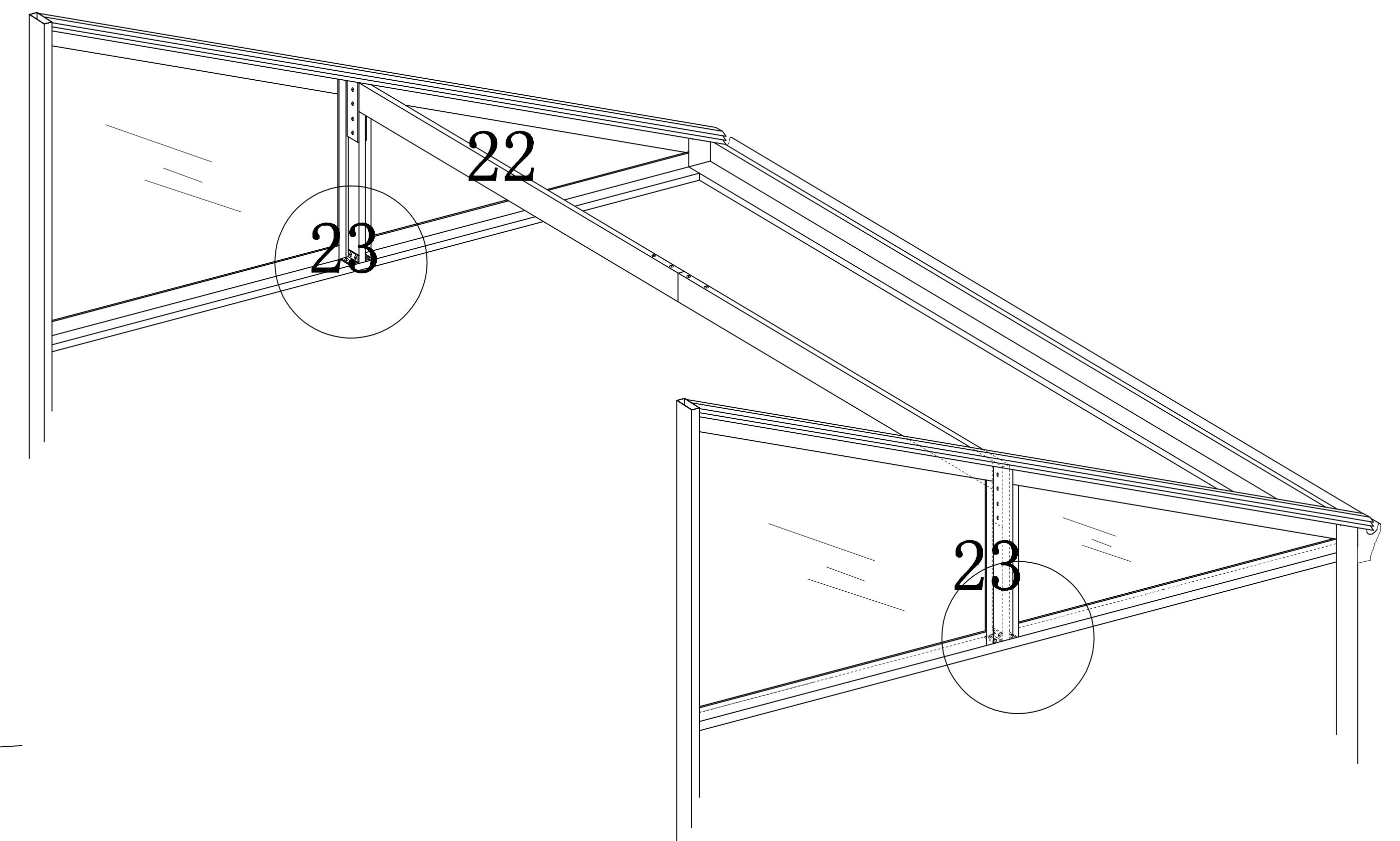


x1

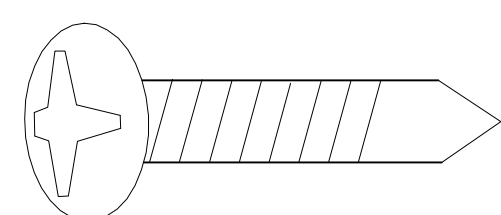
20



23

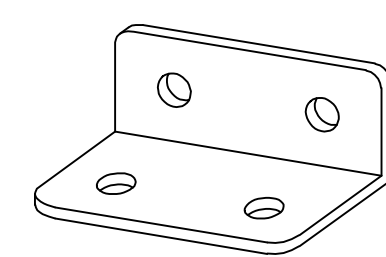


A

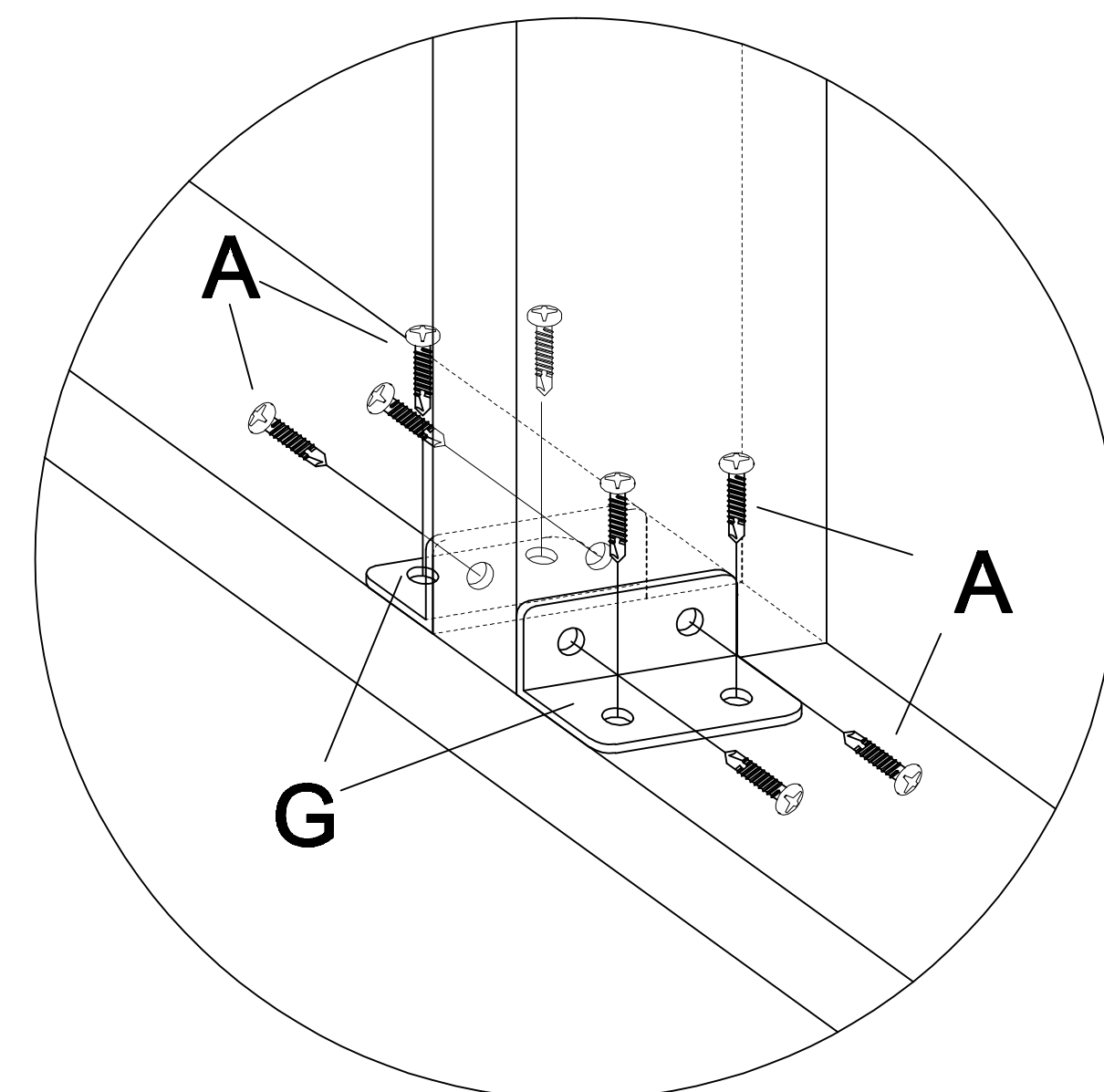


x16

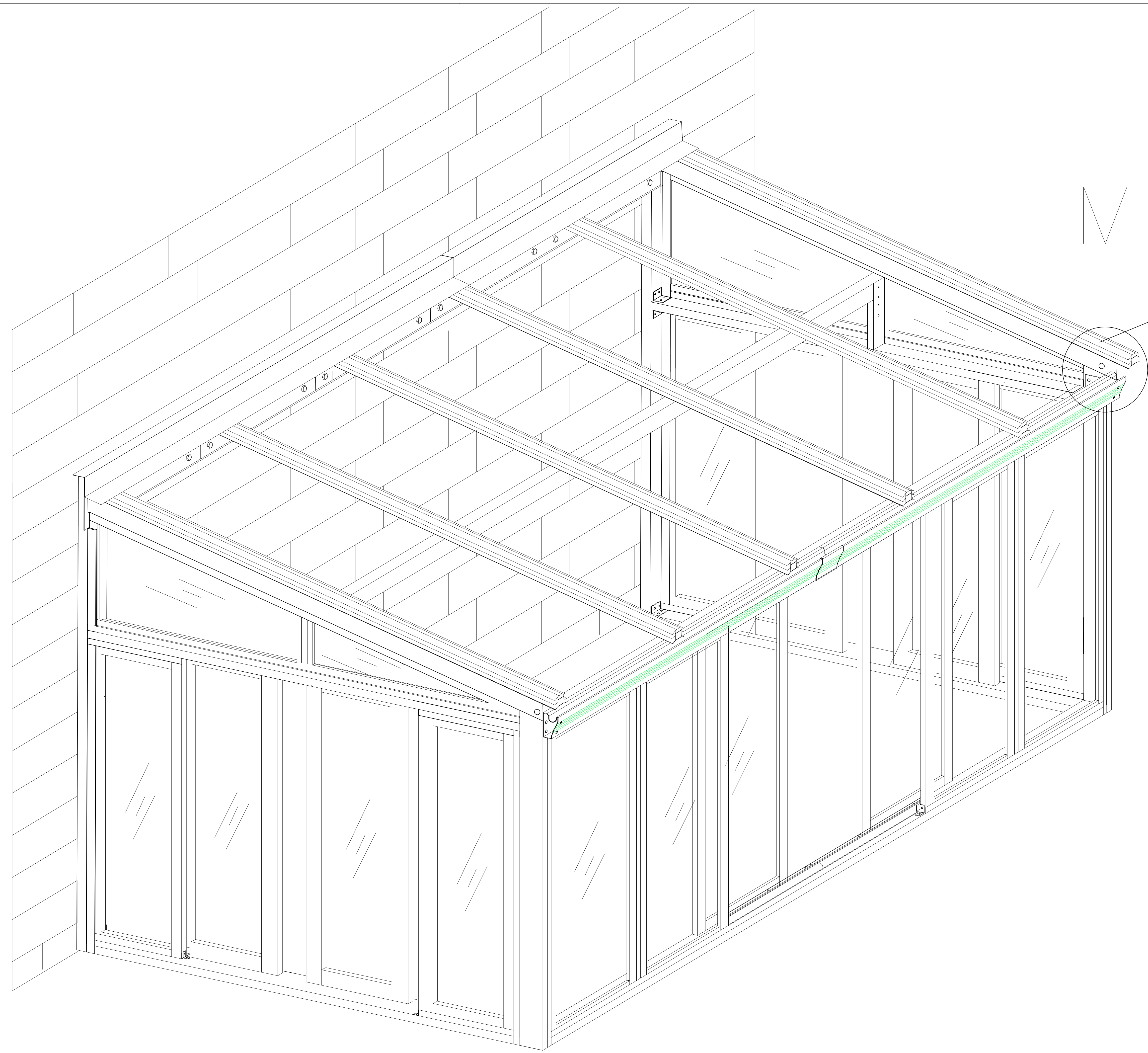
G



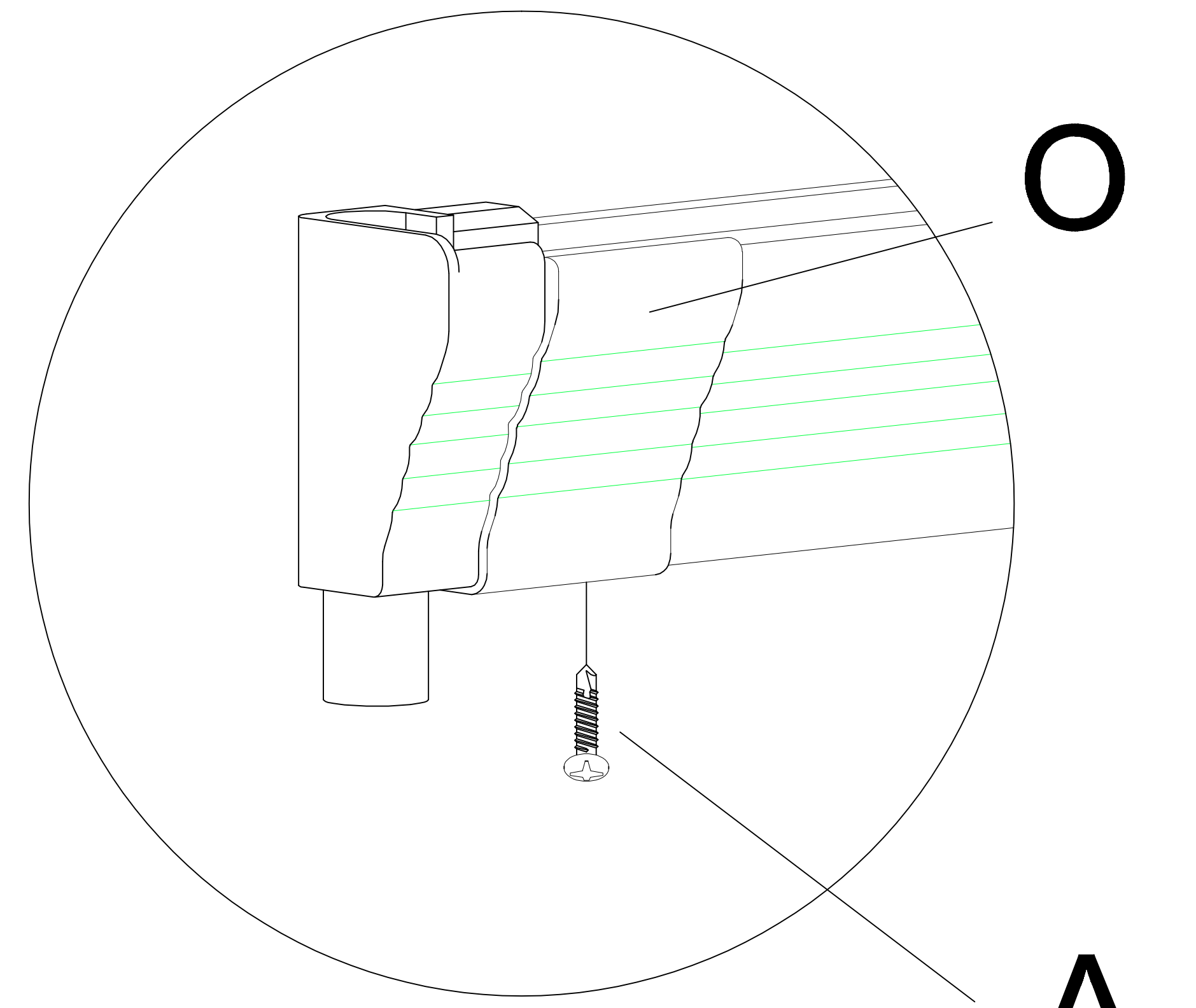
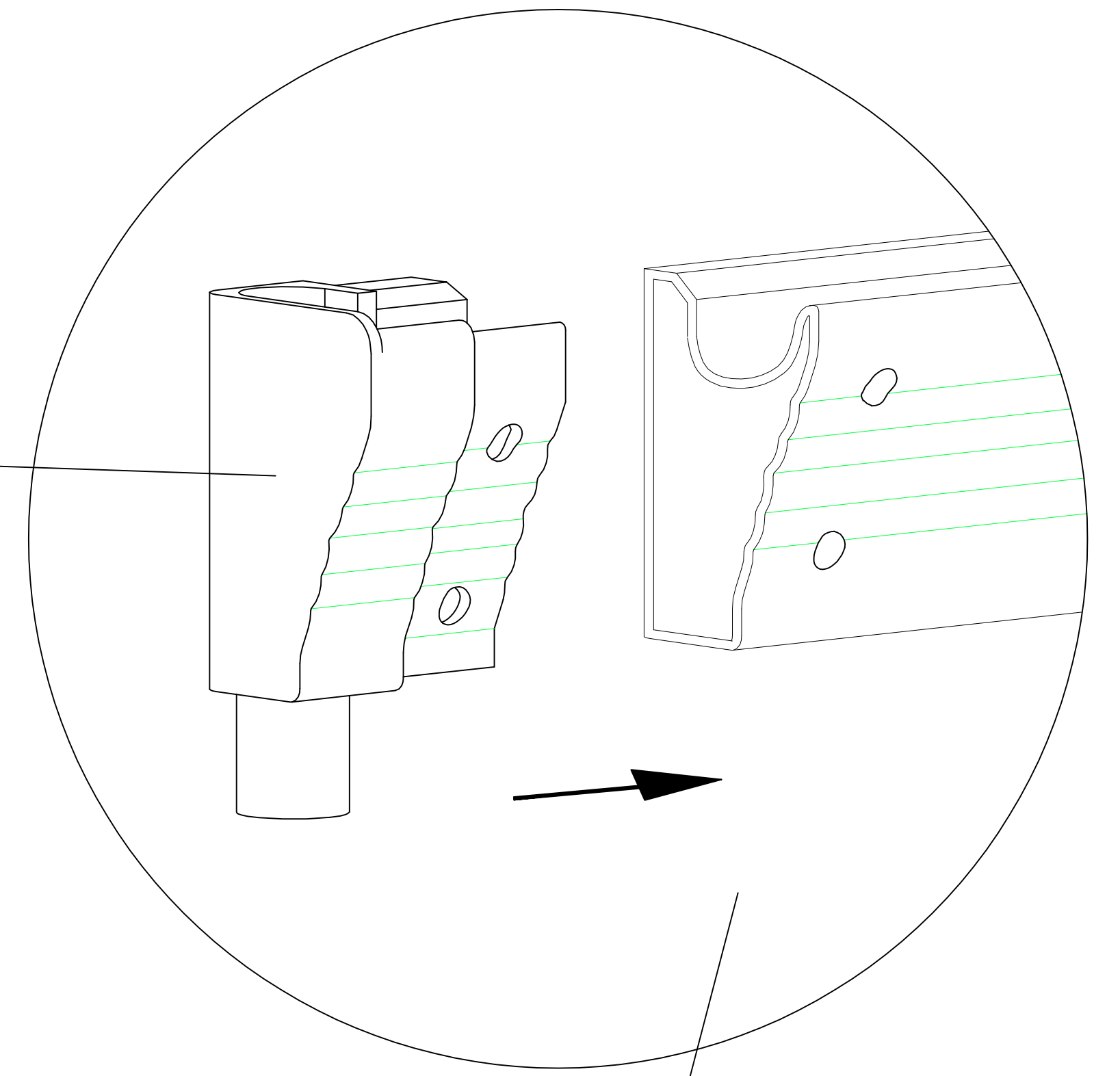
x4

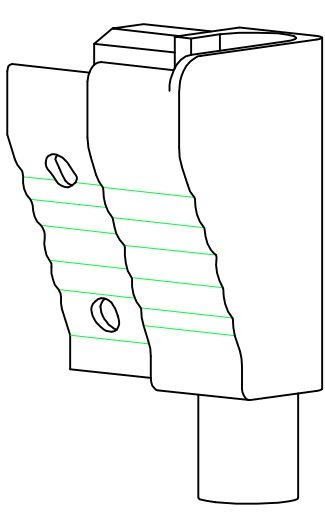


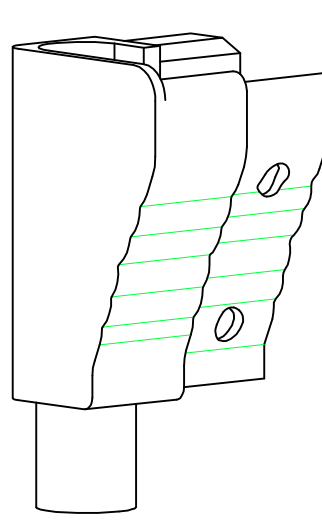
21

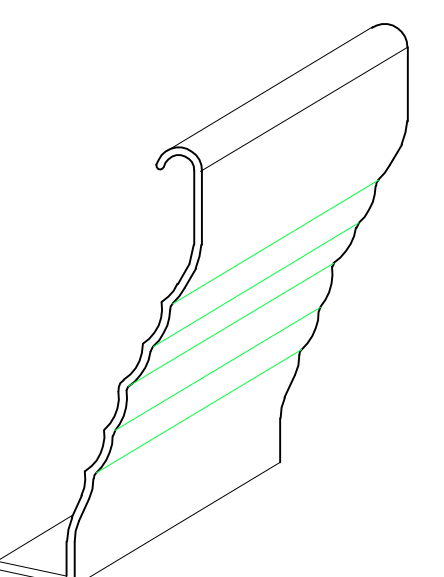


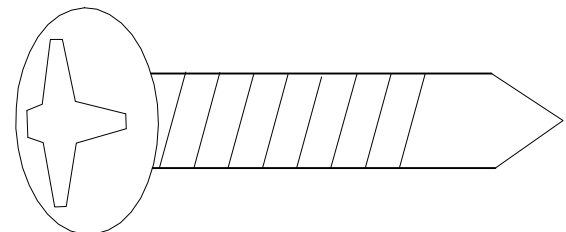
M/N



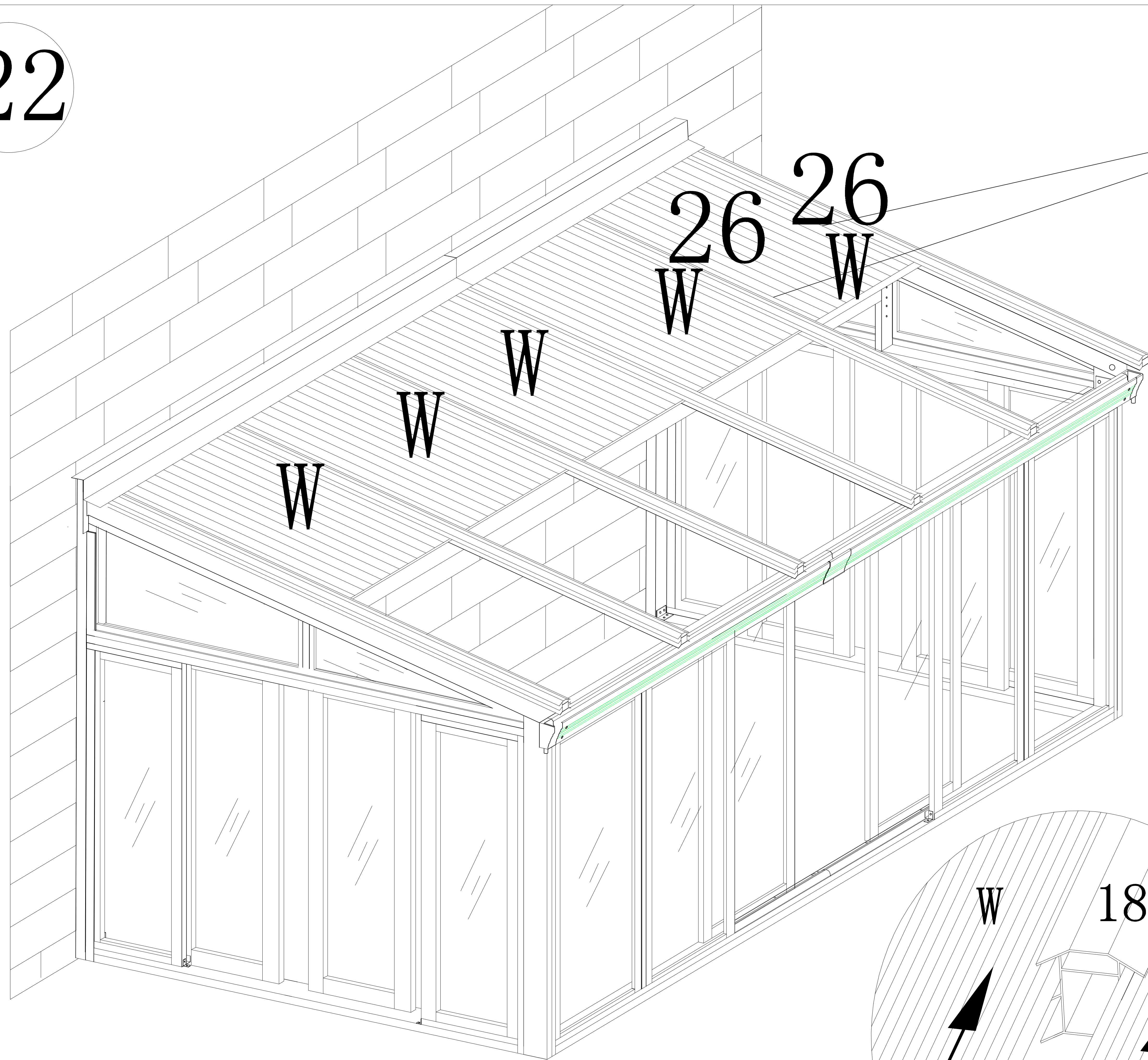
**M**  ×1

**N**  ×1

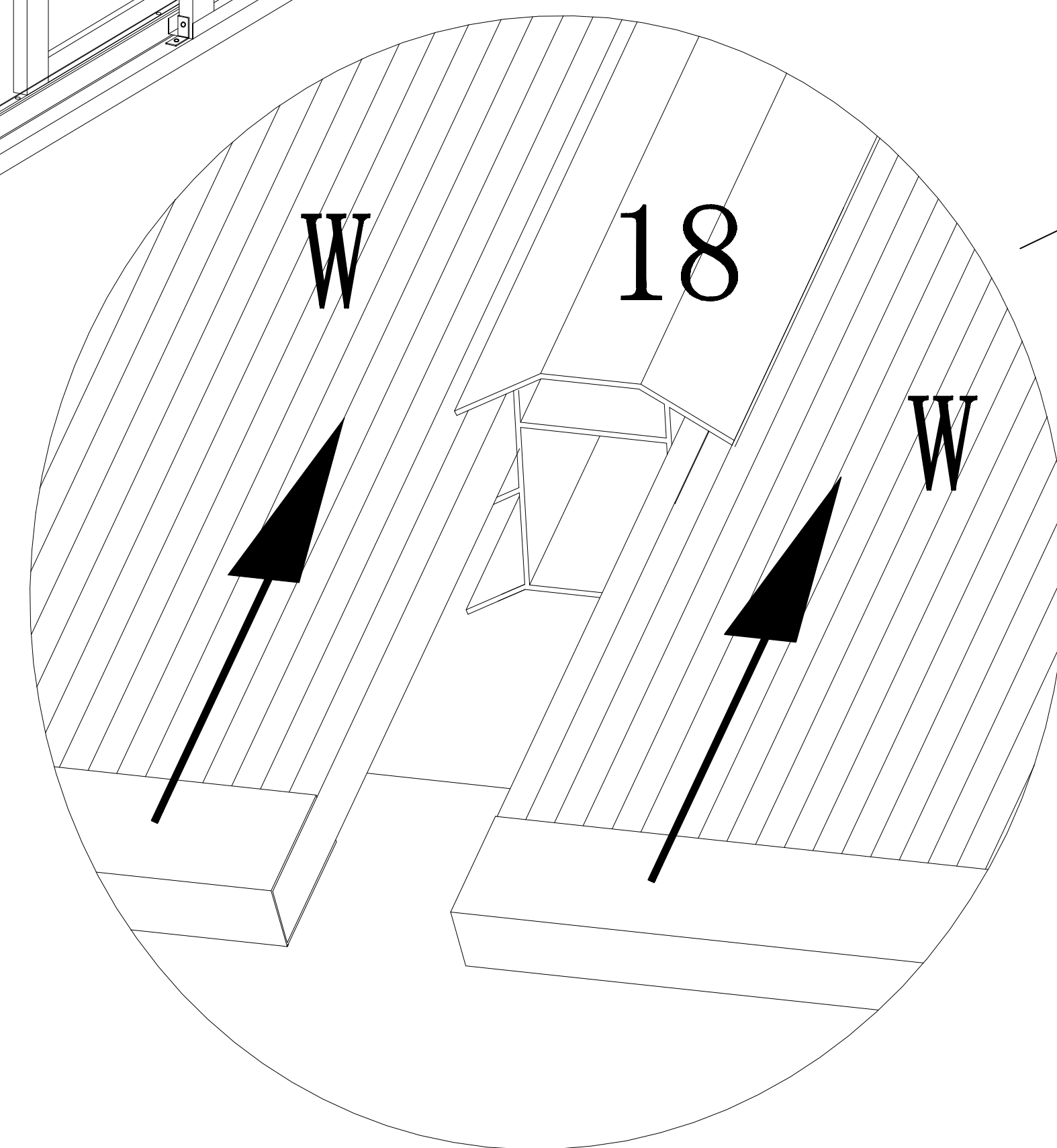
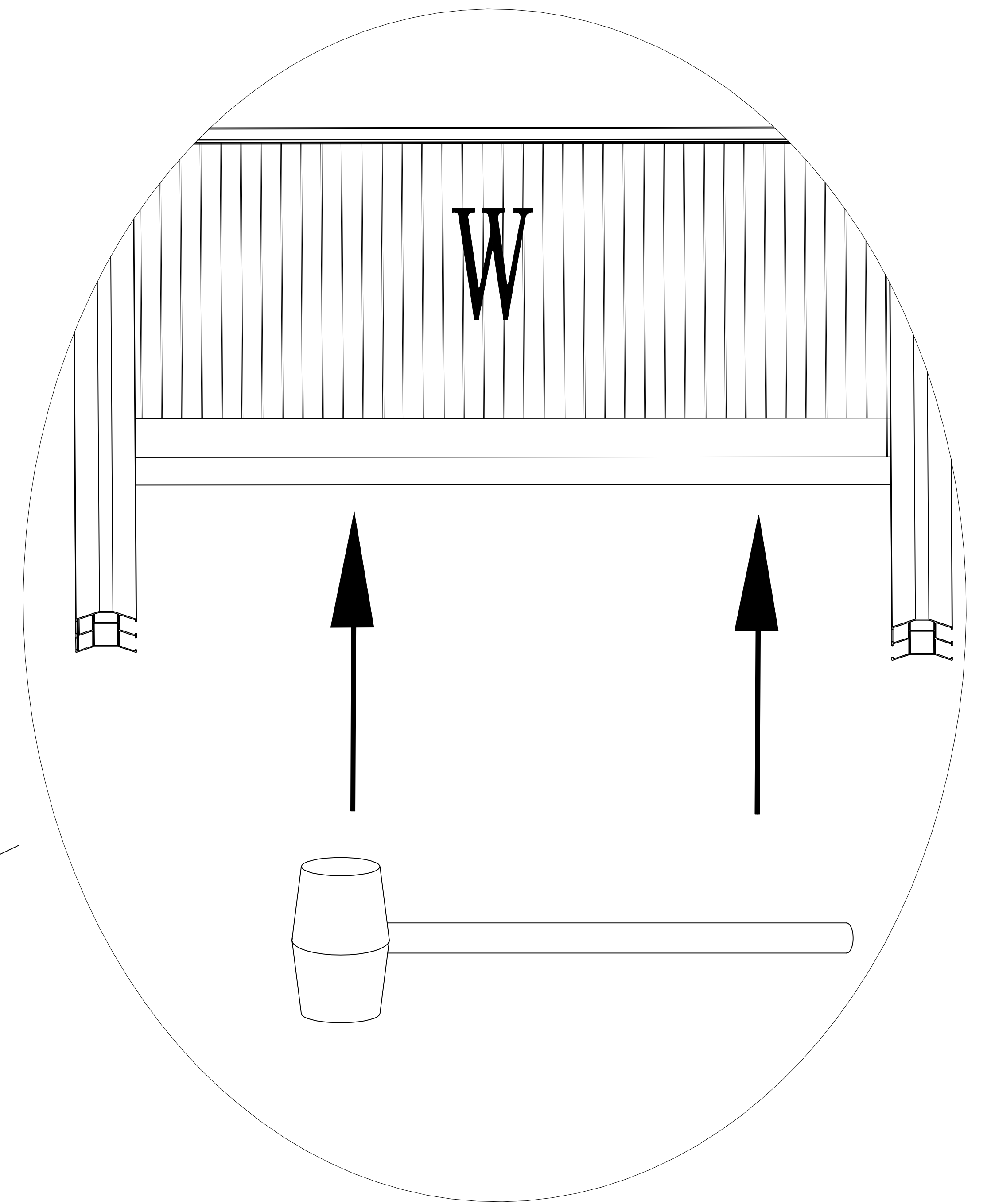
**O**  ×2

**A**  ×2

22



26



W

POLYCARBONATE



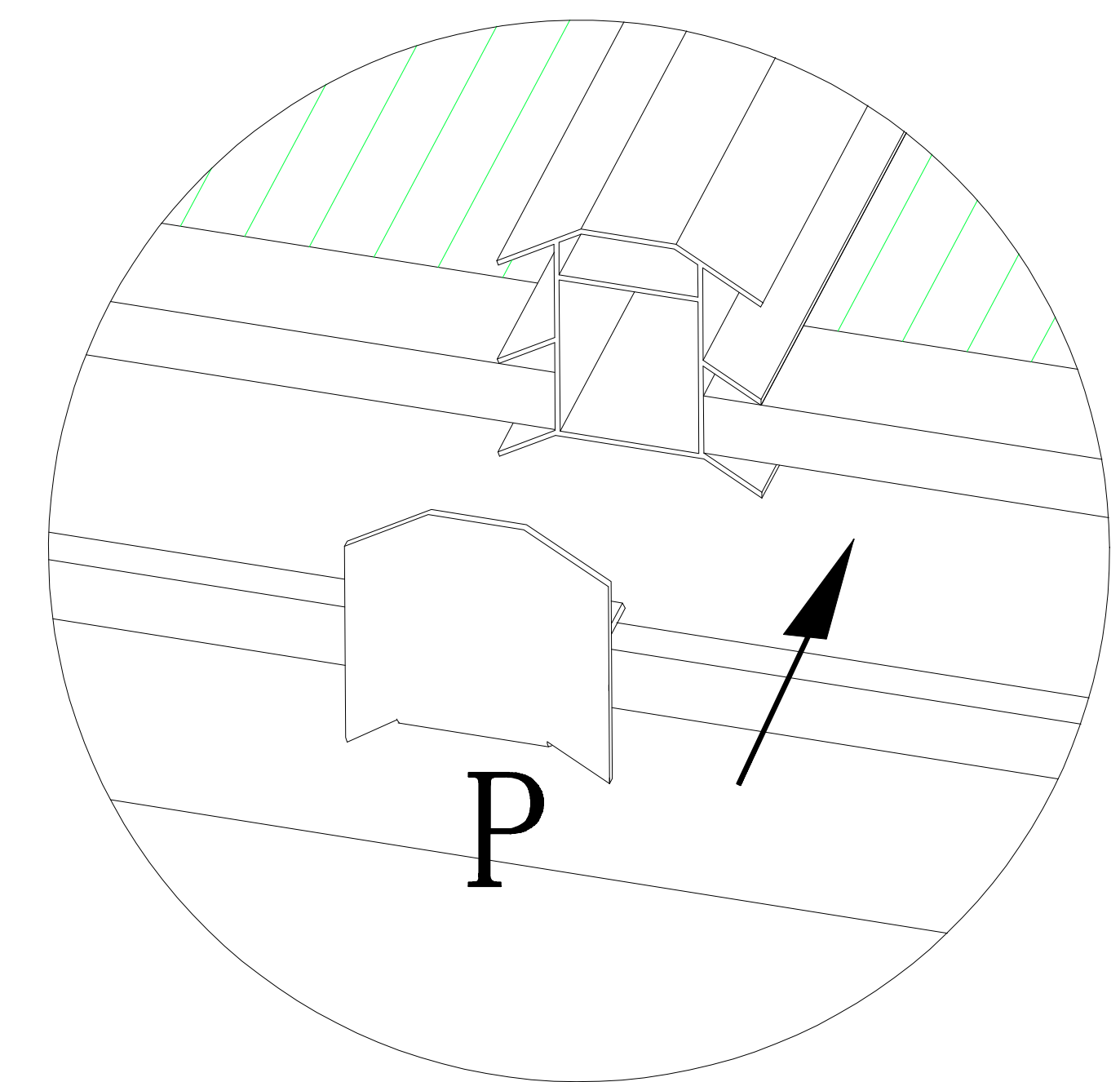
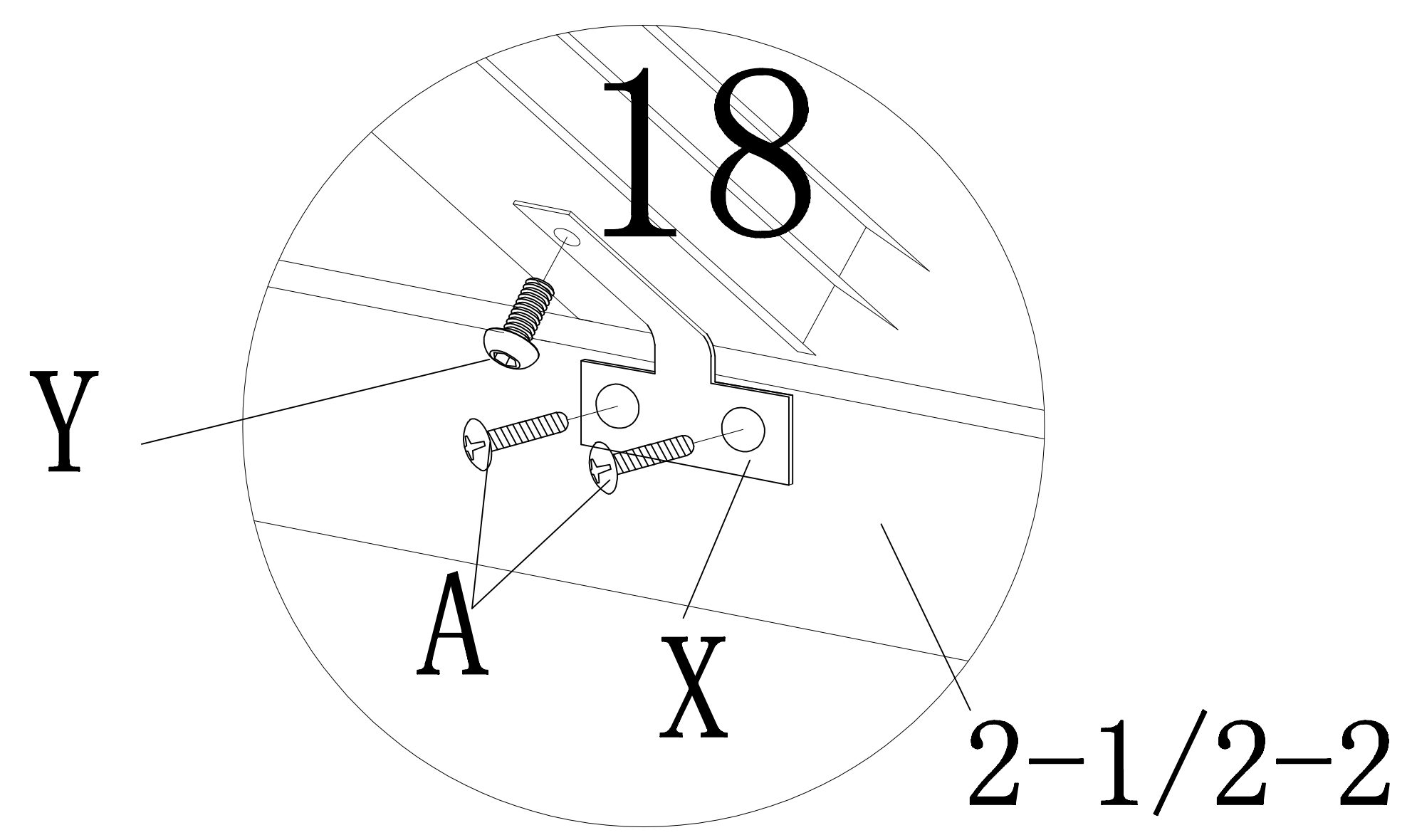
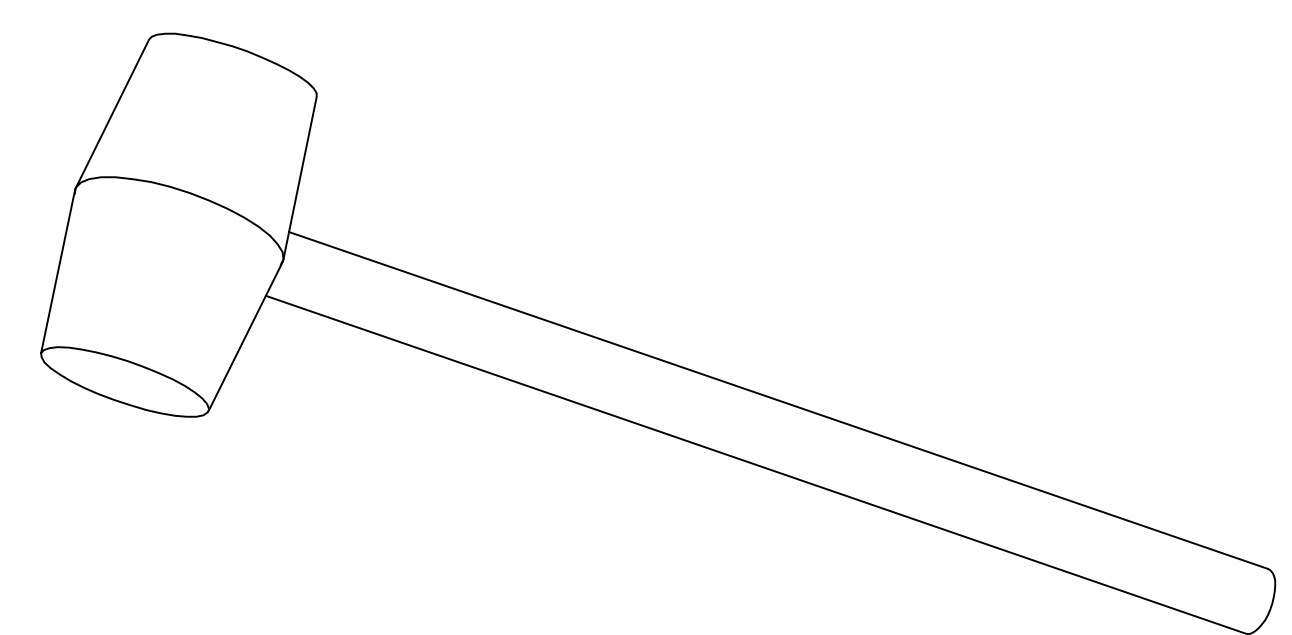
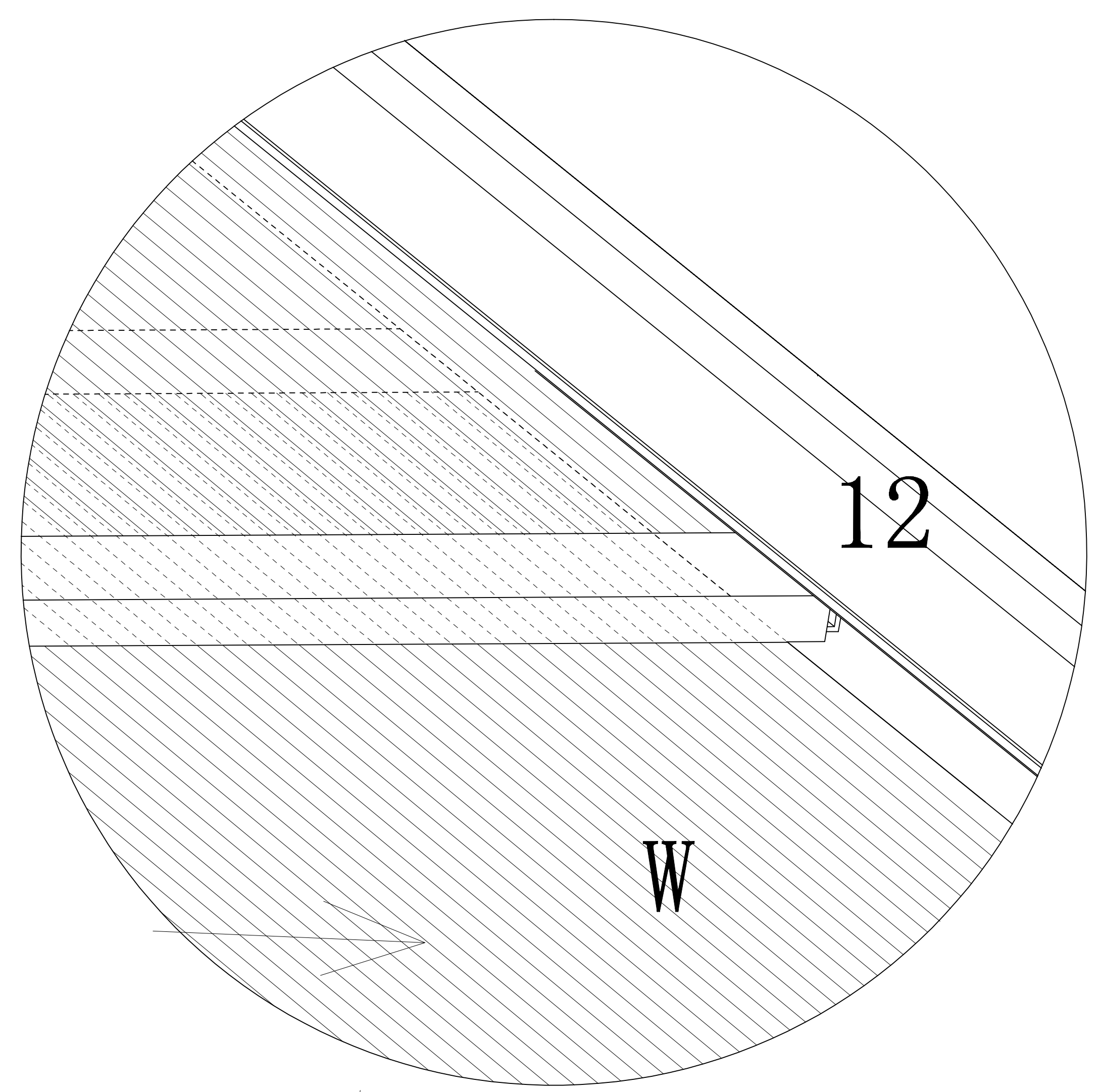
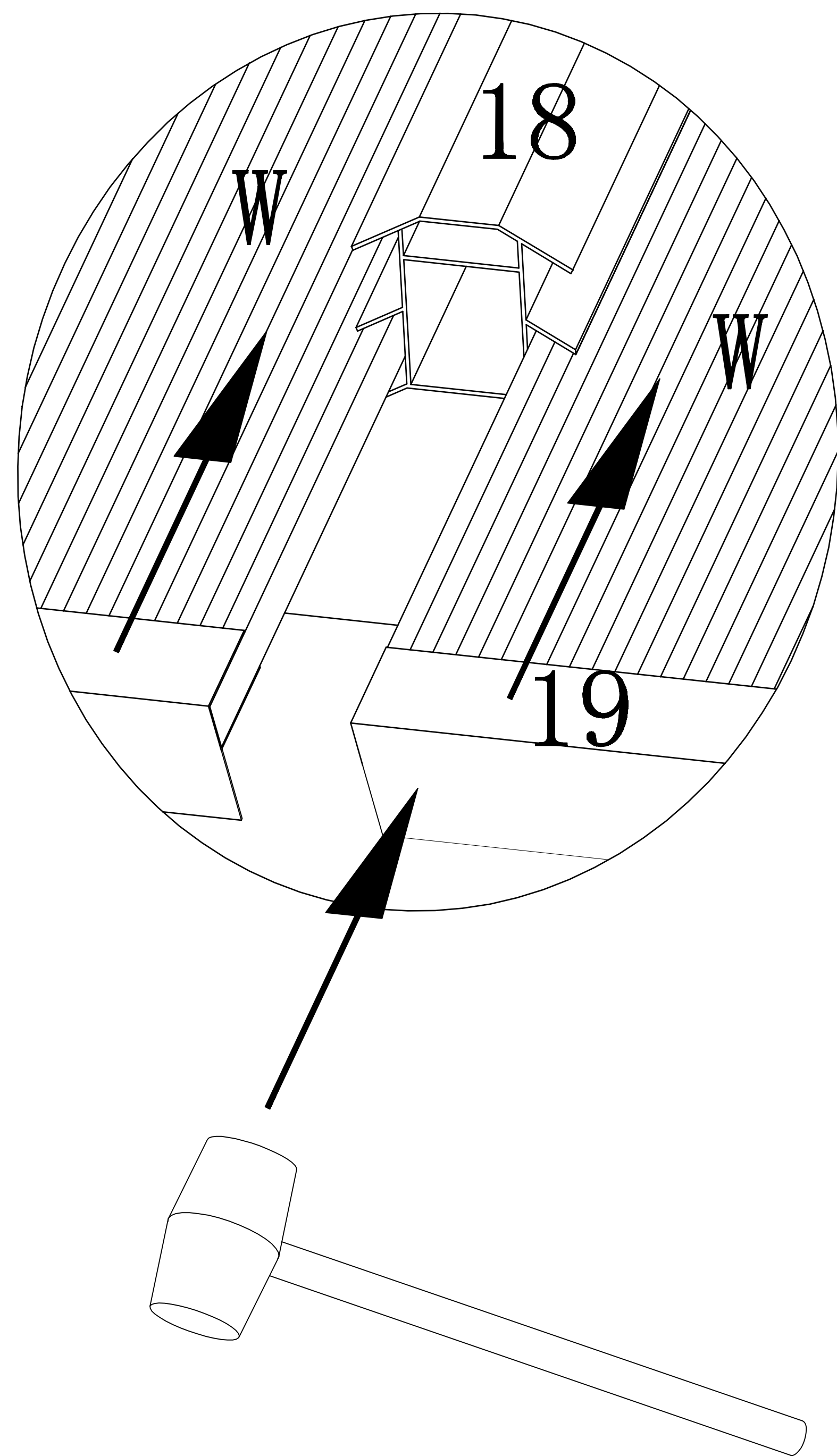
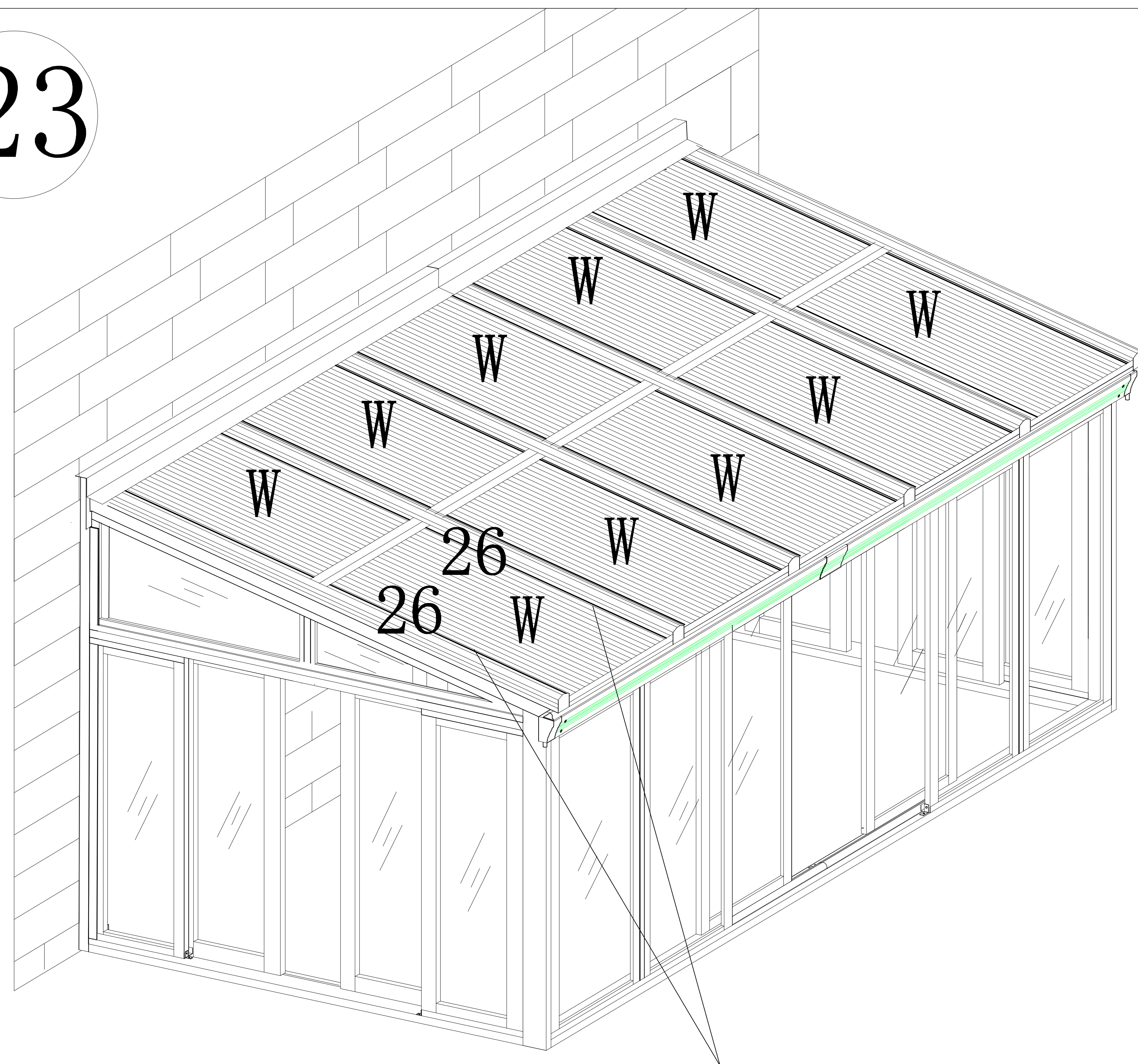
×5


26

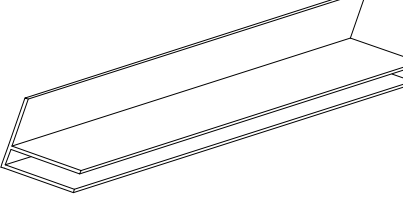


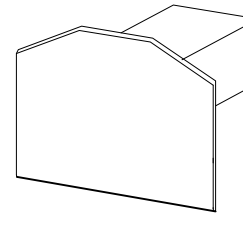


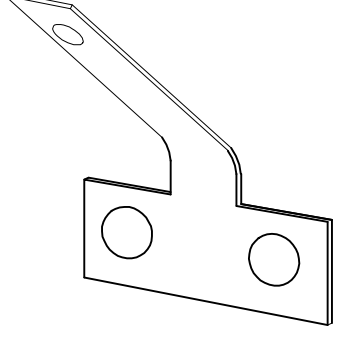
23



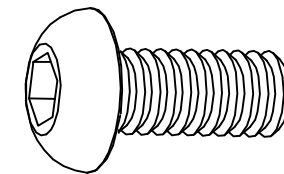
W POLYCARBONATE  
  
 x5

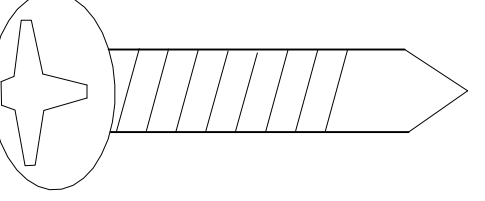
19  
  
 x5

P  
  
 x6

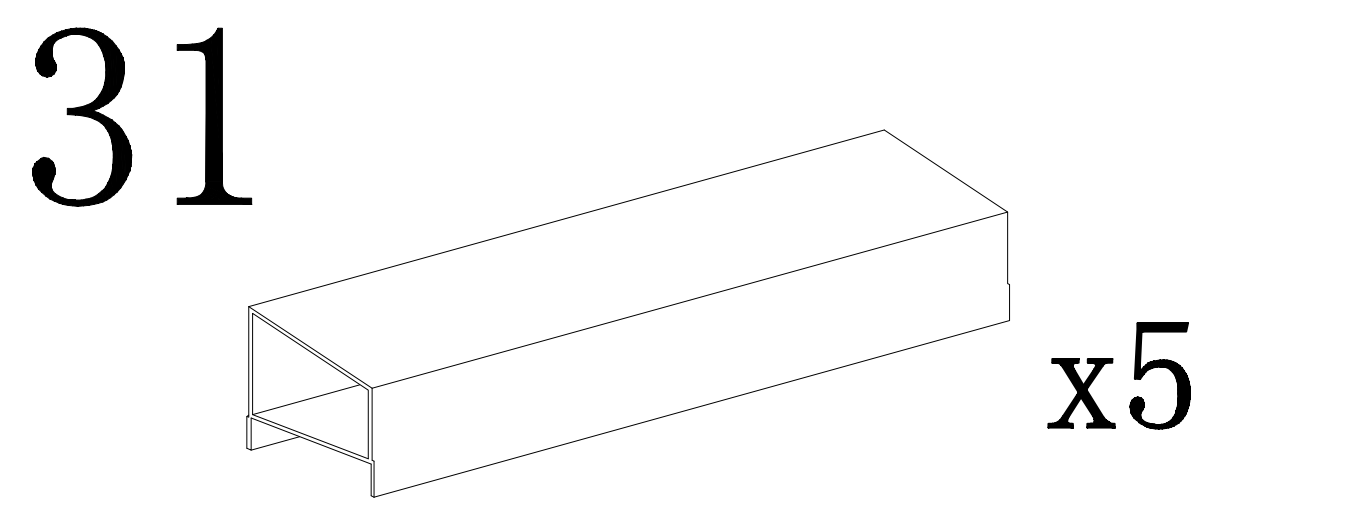
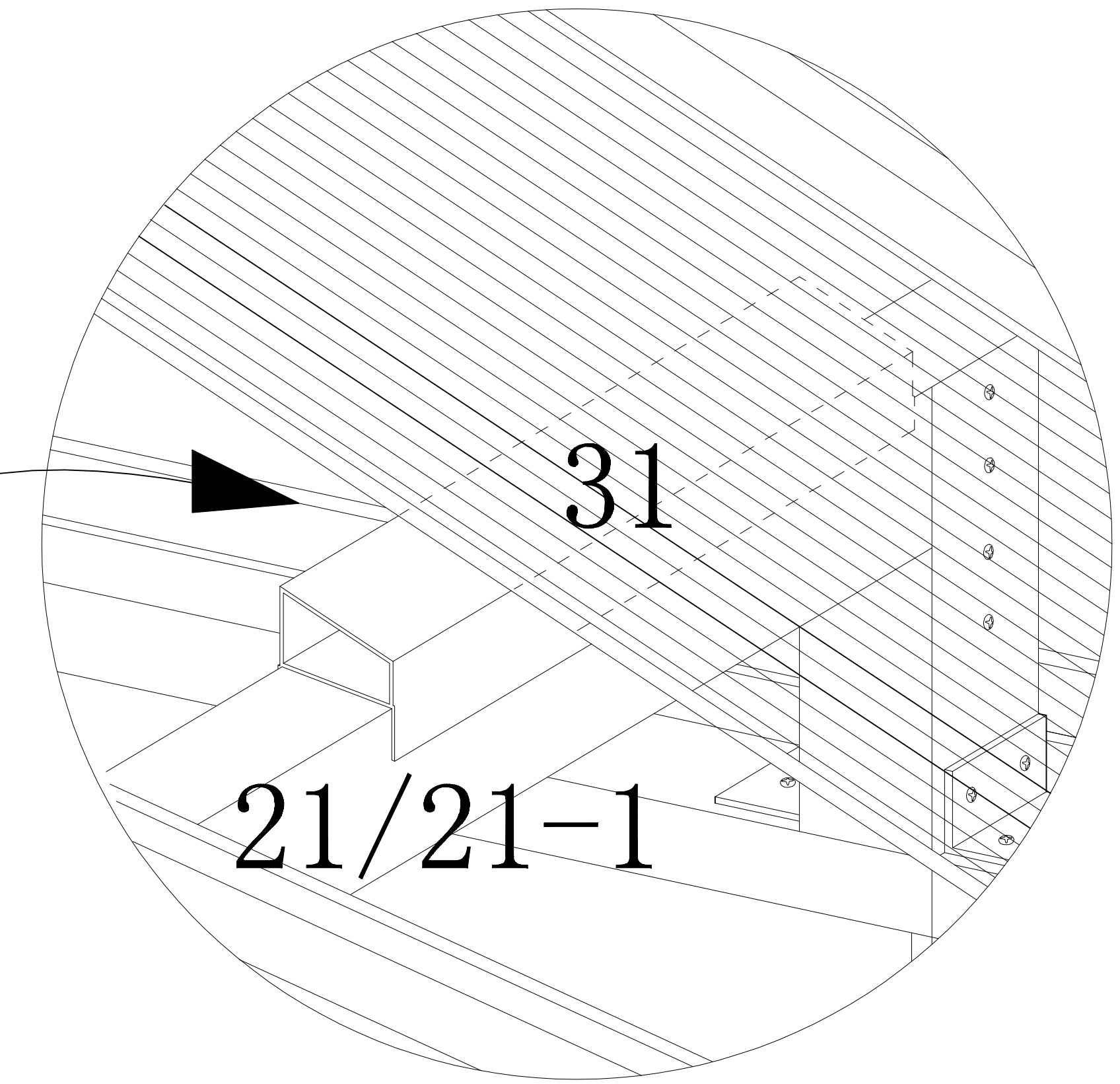
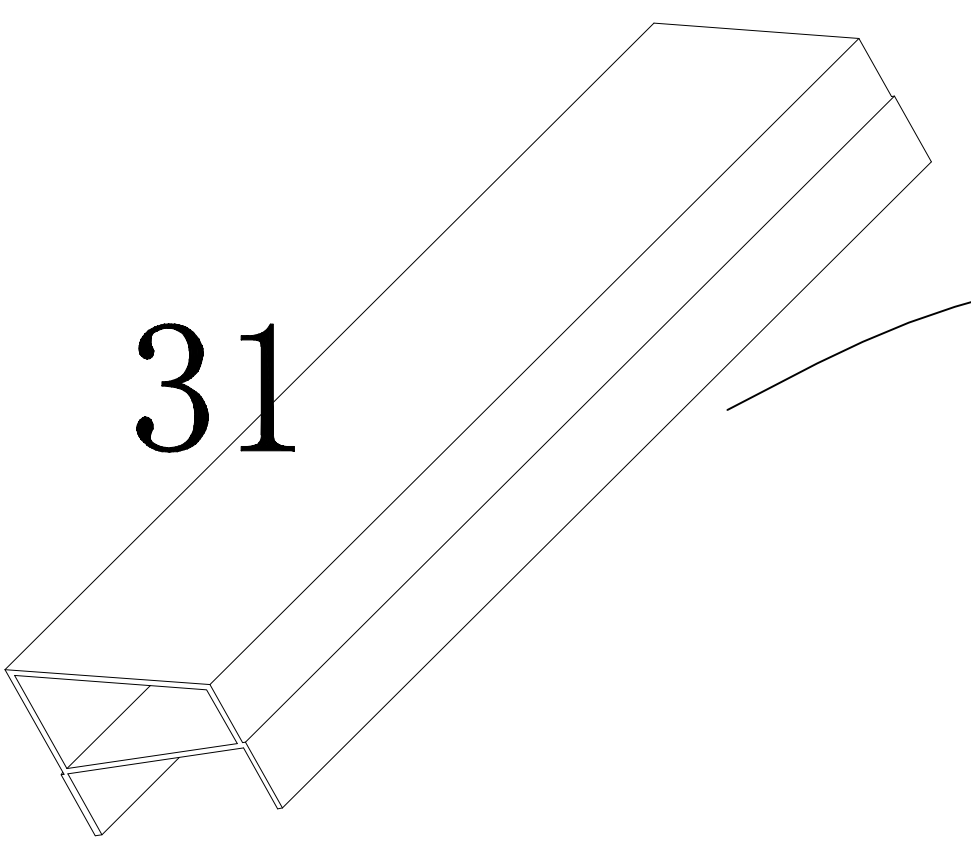
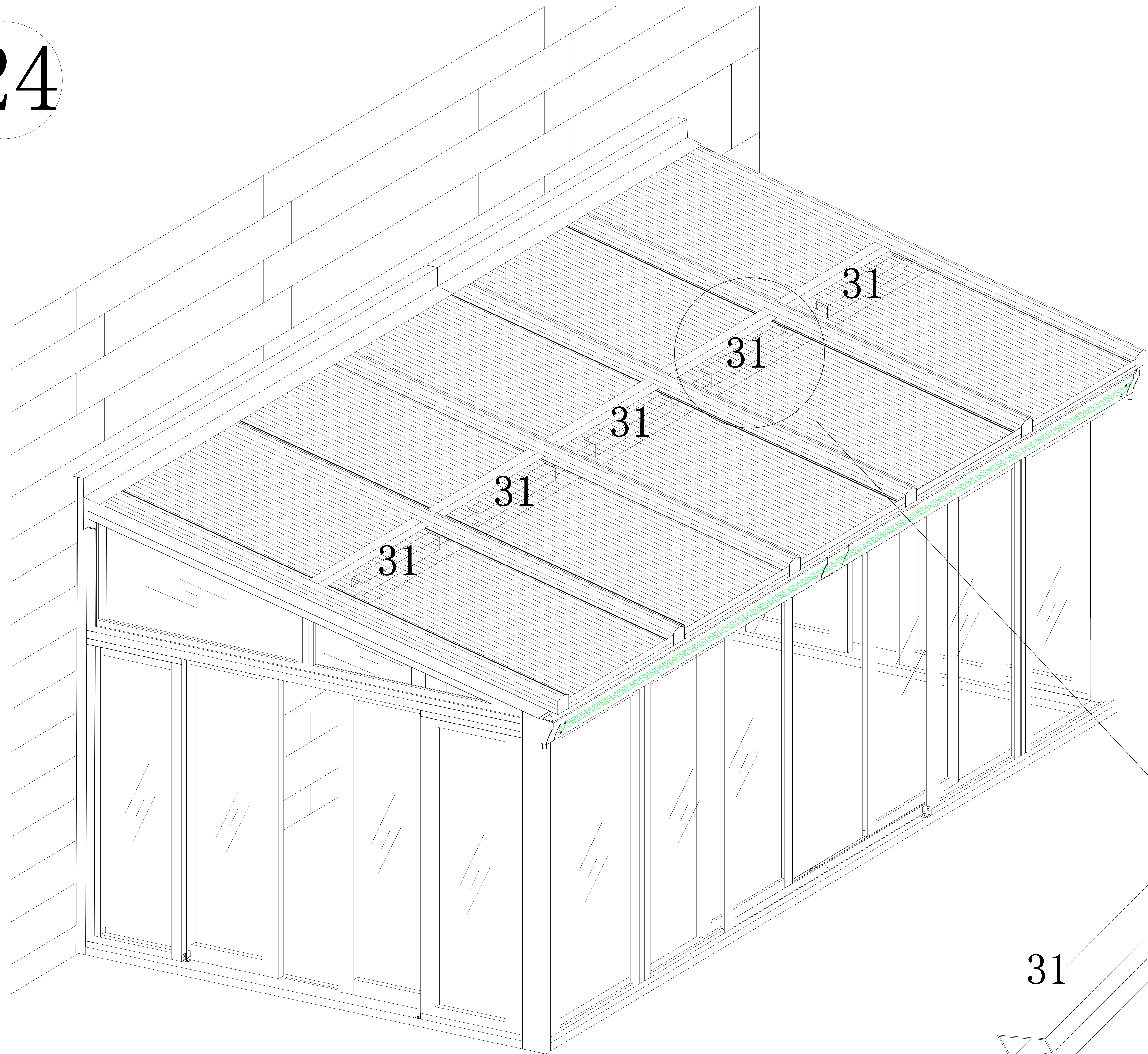
X  
  
 x4

26  

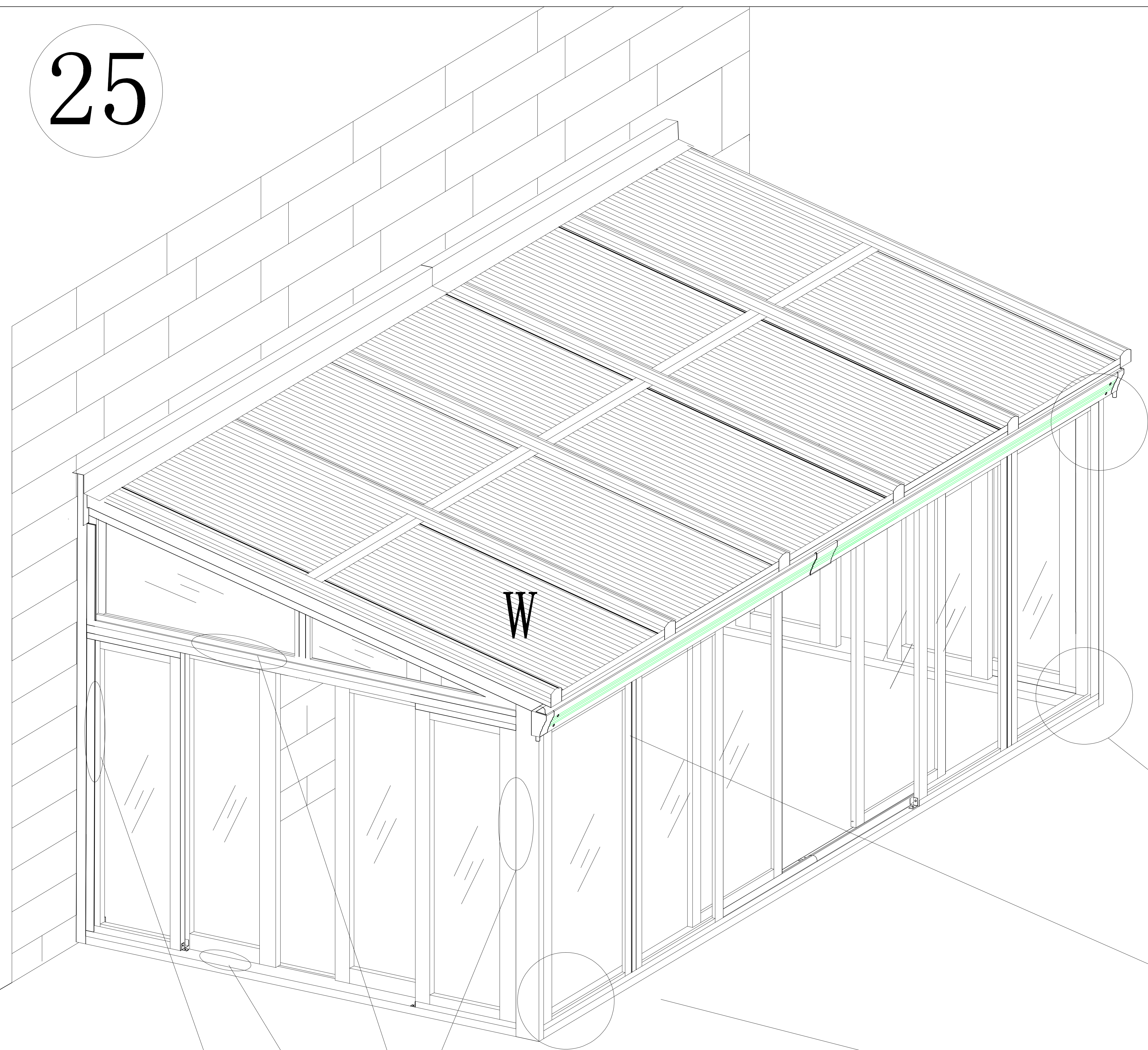

Y  
  
 x4

A  
  
 x8

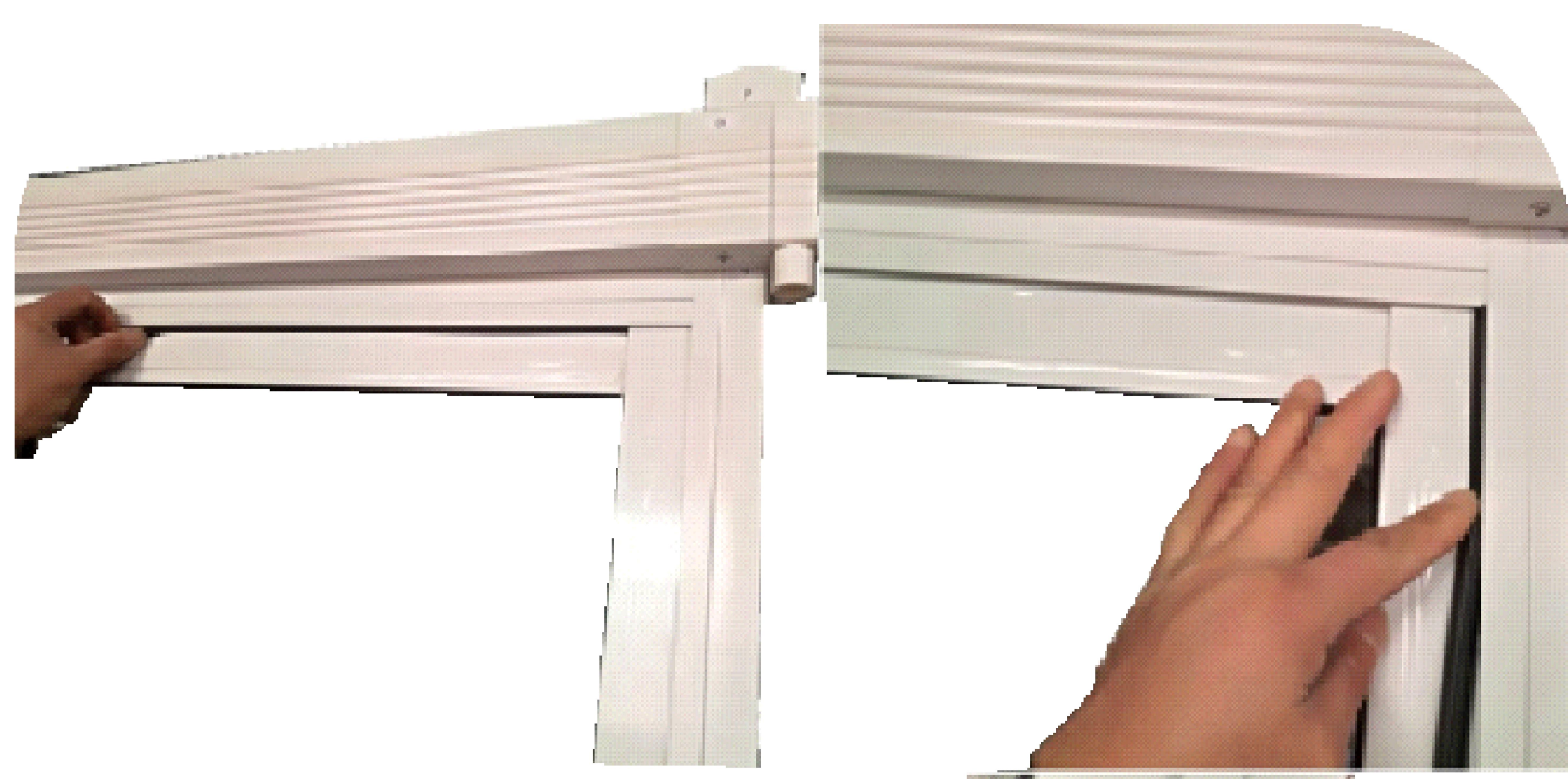
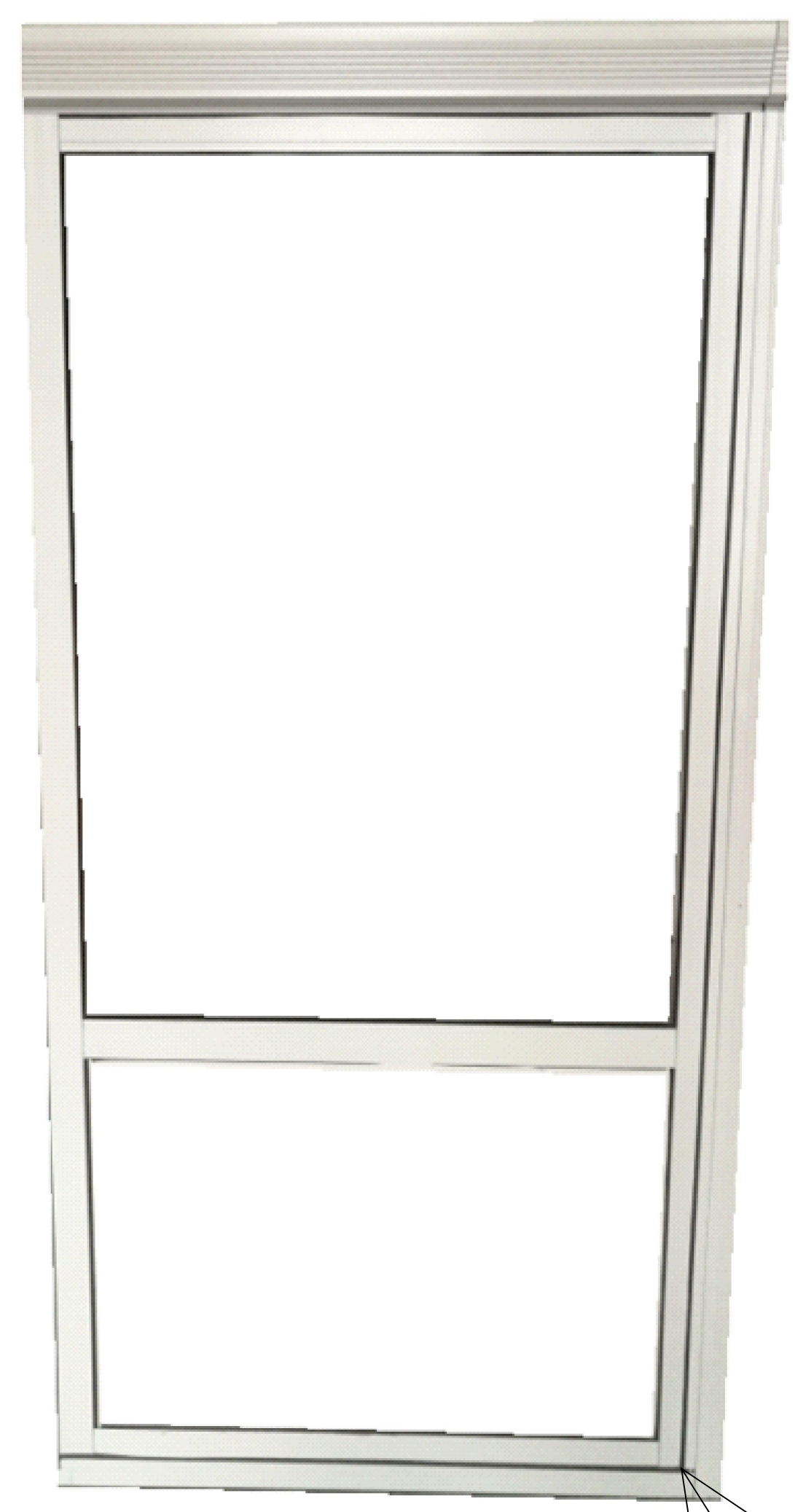
24



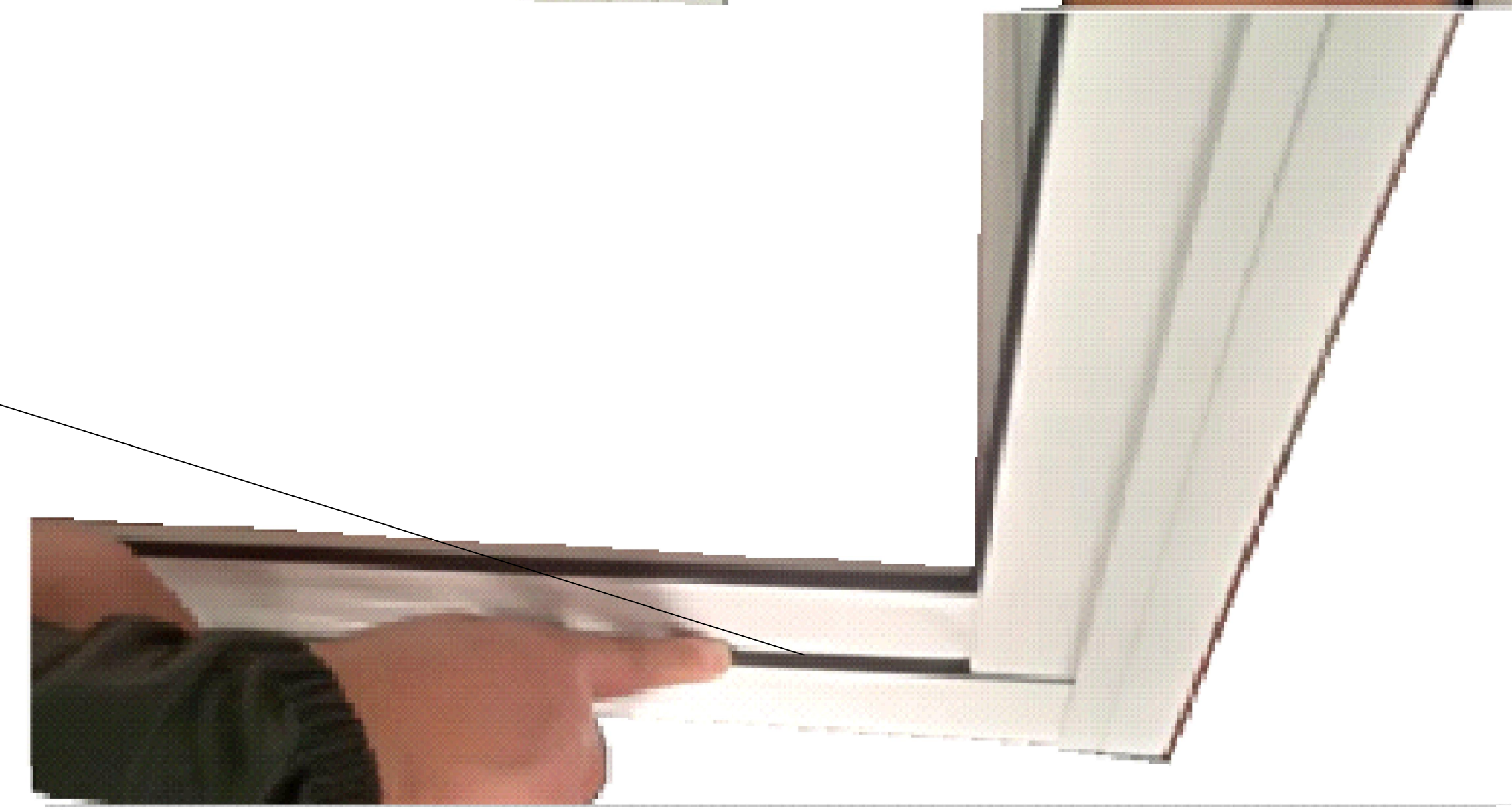
25



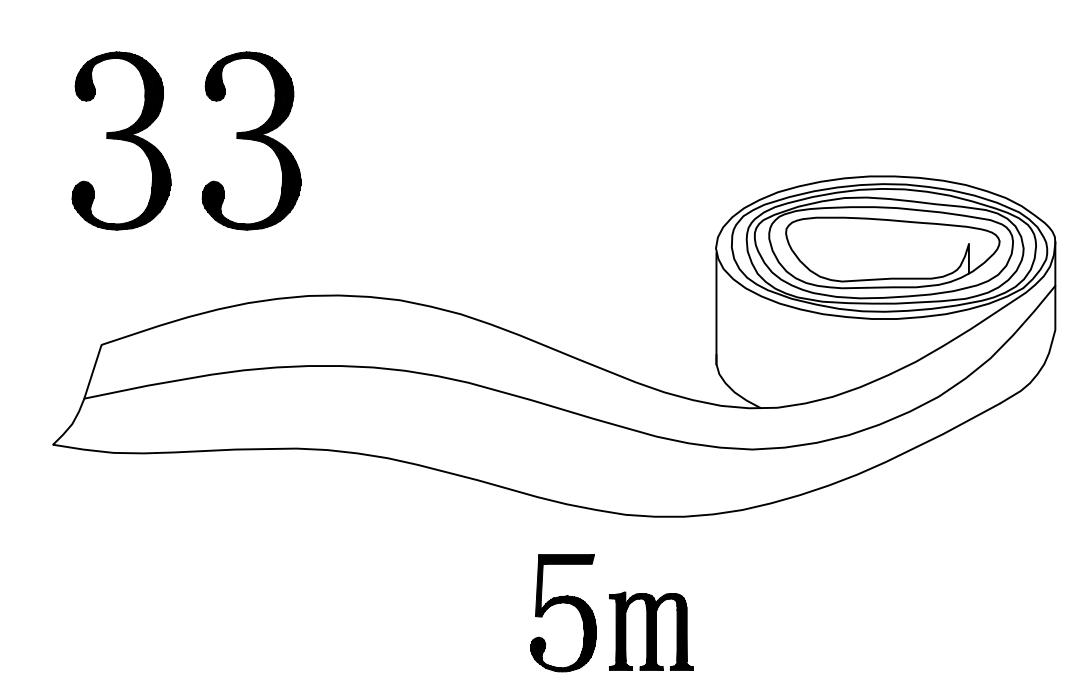
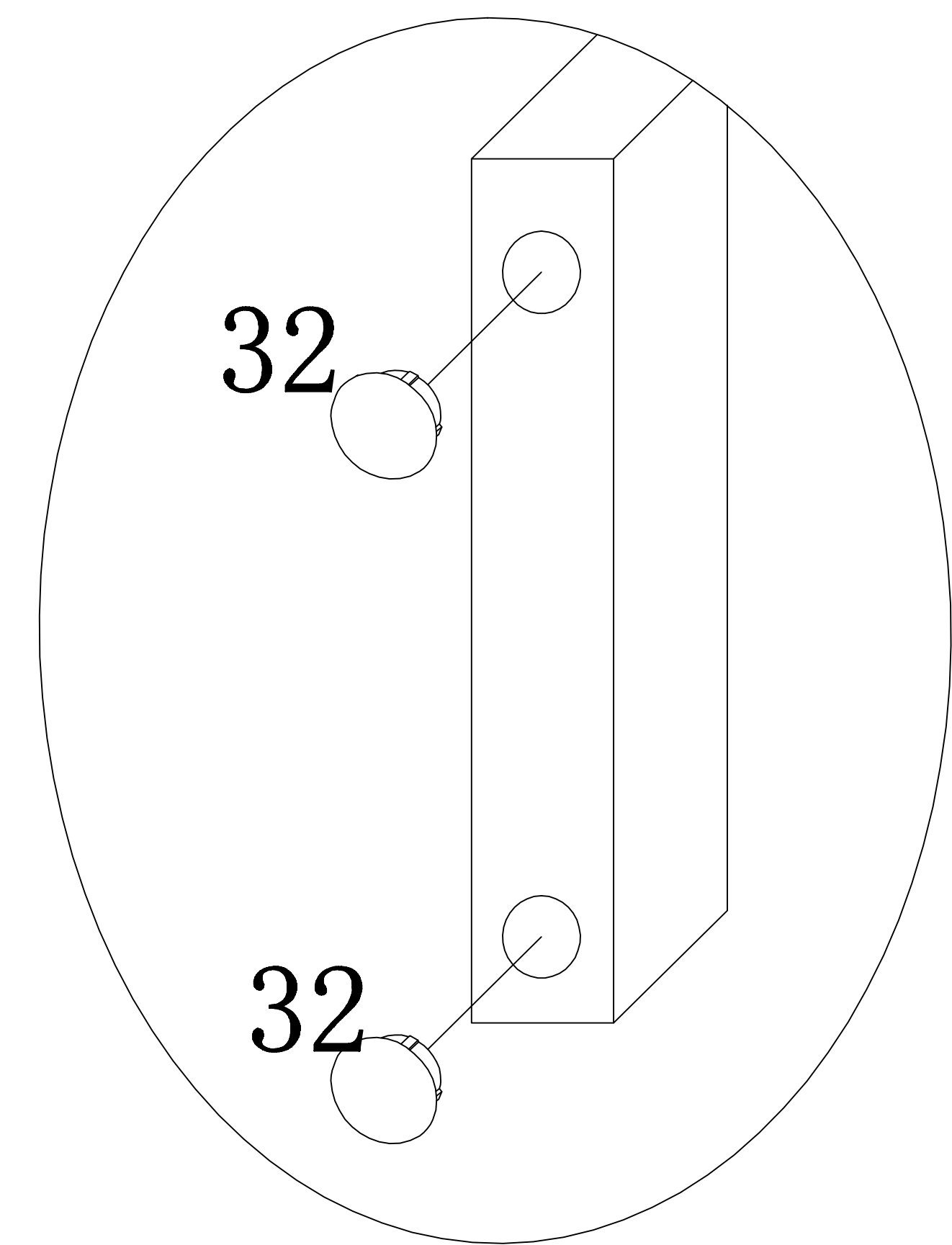
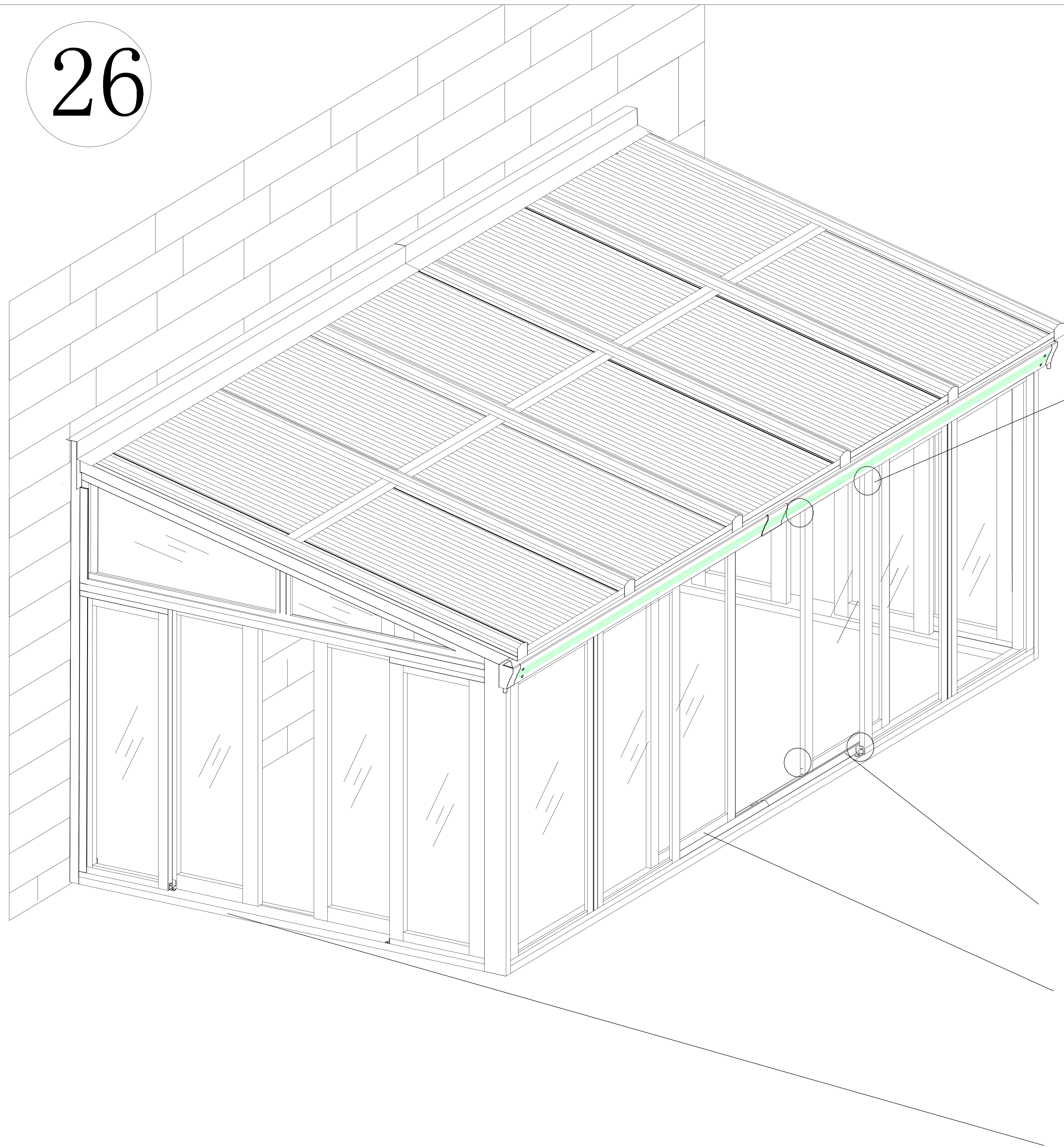
26



26



26



x1



x40