



OUTDOOR GAS GRILL 6+1+1

USE AND CARE MANUAL

Item 8924



TECHNICAL DATA

		Edututor Kannistontie 5 36220 Kangasala, Finland			Gas Grill PIN-NUMBER 2531CS-0116 SERIES NUMBER G8611-S/8924/PO8854	
Country of Destination	Appliance Category	Gas and Supply Pressure	Main Burner	Side Burner	Back Burner	6 burner + SB + BB
			Nozzle dia Ø	Nozzle dia Ø	Nozzle dia Ø	Total Nominal Heat Inputs (Hs)
BE, CY, DK, EE, FI, HU, LT, NL, NO, SE, SI, SK, RO, HR, TR, BG, LU, MT	I 30B/P (30)	Butane/Propane 30 mbar	0.90 mm	0.85 mm	0.90 mm	27.7 kW / 2017 g/h

12/2/2021

**THIS GAS GRILL IS FOR OUTDOOD USE ONLY!
 IMPORTANT! READ ALL INSTRUCTIONS AND FUNCTIONS BEFORE USING THIS DEVICE!
 KEEP THESE INSTRUCTIONS FOR FUTURE NEEDS!
 OPERATIONS OTHER THAN THOSE SPECIFIED IN THIS MANUAL ARE PROHIBITED!
 NOT FOR PROFESSIONAL USE!**

IMPORTANT

Read all instructions and operations before operating this unit.

The instructions reduce the risk of injury.

Failure to observe instructions may result in fire or damage to the product.

The owner is responsible for ensuring that the grill is correctly assembled, installed and maintained in good condition.

Failure to observe this manual may lead to property damage and/or personal injury.

WARNINGS

Children over 8 and persons with physical, sensory or mental disabilities, or inexperienced persons, may only use the device under supervision, or if they are properly trained to use the product safely and they understand hazards related to the use of the device.

Do not let children play with the device. Keep children under 3 away from the device unless they are continuously supervised. Do not let children clean or otherwise interact with the device without supervision.

Note: Certain parts of the device may become very hot and cause burns. Be particularly careful when children or people with disabilities are in the vicinity of the device.

Only to be used outdoors.

Read the instructions before using the appliance.

Accessible parts maybe very hot, keep young children away.

Do not move the appliance during use.

Turn off the gas supply at the gas container after use.

Any modification of the appliance may be dangerous.

Parts sealed by the manufacturer or his agent must not be altered by the user.

Attention:

Some parts of this appliance become very hot, take special care when children or elderly are present.

For your safety:

Never light a gas grill with gasoline or comparable fluids!

Suggestion: user should not change the assembly that the manufacturer packaged.

Connect the pressure regulator and hose to the device correctly.

Do not keep the gas container inside the grill trolley when in use. The gas container must not be placed inside the device.

IF YOU SMELL GAS:

- Switch off the gas supply.
- Switch off all burners.
- Ventilate the area.
- Check for any leaks as described in this manual.
- If the odour does not dissipate, connect the gas supplier immediately.

PRECAUTIONS

Test any connections for leaks whenever changing containers and before use.

Never look for leaks with matches or a flame.

Do not store or use gasoline or other flammable vapours or liquids in the vicinity of the device.

Do not store any other LP gas bottles near the device.

ASSEMBLY

WARNING: Although efforts have been made to remove any sharp edges during manufacturing, all parts should be handled carefully in order to avoid injury.

Necessary tools: Screwdriver or a flat screwdriver/key.

Read all instructions carefully before use. Find a spacious, clean area for assembling the grill. Review the parts list and diagram when in doubt. Some parts of the grill are large. The grill should be assembled by two persons.

NOTE: Make sure all plastic covers are removed before assembly!

Content of this manual:

1. Assembly
2. Preparation
3. Installation
4. Side burner
5. Warning and safety points
6. Lightning instructions
7. Storage
8. Cleaning instructions
9. Trouble shooting
10. Safety hints
11. Warranty
12. Environmental protection

1. Assembly

Make sure your grill is assembled properly. Detailed assembly instructions are packed with each grill giving specific assembly procedures for each model. Follow these instructions carefully to ensure the correct and safe assembly of the grill.

Caution: Although we take every effort to ensure that the assembly process is as easy as possible, it is inherent with fabricated steel parts that corners and edged can cause cuts if improperly handled during assembly procedures. Be careful while handling any parts during assembly. It is strongly recommended that you protect hands with a pair of work gloves.

2. Preparation

To use this grill, you need a bottle of LPG and the proper gas pressure regulators. The controllers must conform to the latest version of EN16129 and national regulations.

This appliance must only be used with an approved hose and regulator.

Energy saving tips

- Reduce the opening time of the lid.
- Turn the grill off as soon as cooking is completed.
- Preheat the gas grill for 10 to 15 minutes only (Except for the first use).
- Do not use a higher setting than required.

3. Installation

After purchasing your gas bottle, you will then be ready to set it up with your gas grill. Connect the hose and regulator to the gas container at the right side of the gas grill. The hose dimension is 8mm diameter.

- a) **When changing the gas bottle which shall be carried out away from any source of ignition.** Position the gas bottle at the side of your gas grill, not underneath, keeping in mind that the bottle must be kept away from heat and in a safe position.
- b) When ready to use your gas grill insert the regulator into the gas bottle valve and check that it's firmly attached.
The maximum length of hose shall not exceed 1.5m.



Warning: Before attempting to light your gas grill you must refer to your lighting instructions and warning / safety points.



Warning: Always test gas line for leaks at connector with soap water finishing all connections.
How to disconnect a gas bottle

Check the hose before each use, searching for cracking, cuts or any abrasions. If the hose is found to be faulty in any way do not attempt to use your gas grill.

When changing your gas bottle ensures that there are no sources of ignition close by i.e. fires, cigarettes, naked flames etc. Make sure that the appliance is switched off.

Ensure that the hose is not subjected to twisting which will affect the gas flow when using your gas grill. Also, the hose must not have undue tension and must not touch any part of the gas grill which may be hot.

Container replacement

The container features a regulator with a switch for switching the gas supply on or off.

Connecting/disconnecting the gas container

See low pressure regulator instructions.

GENERAL

Although all gas connections on the grill are leak tested at the factory prior to shipment, a complete gas tightness check must be performed at the installation site due to possible mishandling in shipment, or excessive pressure unknowingly being applied to the unit. Periodically check the whole system for leaks following the procedures listed below. If the smell of gas is detected at any time you should immediately check the entire system for leaks.

BEFORE TESTING

Make sure that all packing material is removed from the grill including tie-down straps.

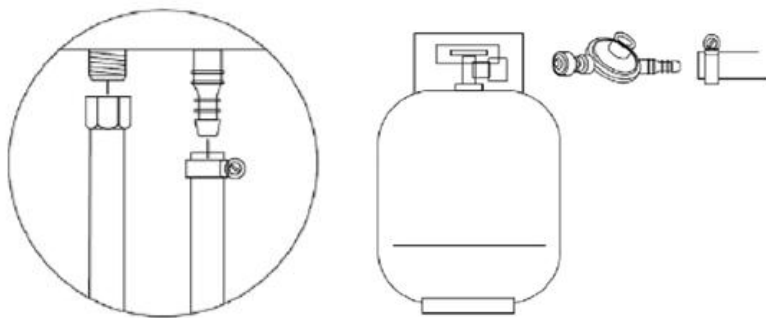
NEVER perform leak test with an open flame.

Make a soap solution of one-part liquid detergent and one part water. You will need a spray bottle, brush, or rag to apply the solution to the fittings.

TO TEST

1. Make sure the control valves are in the OFF position and turn on the gas supply.
2. Check all connections from the gas regulator and supply valve up to and including the connection to the manifold pipe assembly (the pipe that goes to the burners). Soap bubbles will appear where a leak is present.
3. If a leak is present, immediately turn off the gas supply and tighten the leaky fittings.
4. Turn the gas back on and recheck.
5. Should the gas continue to leak from any of the fittings, turn off the gas supply.

Always check for leaks after every gas tank change.



1. Install Regulator Hose.
2. Install Gas Tank & Regulator Hose.

Do not use the grill until all connections have been checked and do not leak.

4. Side burners

To get the maximum yield with the minimum consumption of gas it is handy to keep the following points in mind: Once the burner has been alighted, adjust the flame according to your needs, from “Maximum” to “Minimum” position. Use proper pan size (with flat bottom only) for each burner. When the content of the pan starts to boil, turn the knob down to “Reduced rate position” (small flame). Always put a lid on the pan. Suggestions use Ø pans in 20-24cm. Under the side tables, burner height has larger openings, the oxygen can reach the burners easily and ensures even fire.

5. Warning and safety points

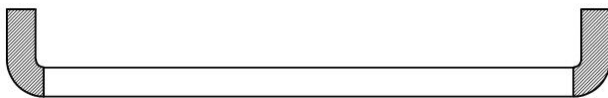
Please read the following points before using your gas grill:

- Do not operate gas grill if there is a gas leak. Turn off the gas supply.

- After each connection, always check the gas hose connector for leaks with soap and water.
- The lid must always be open when the burner is lit.
- Use barbecue gloves and steady long-arm grill equipment when grilling.
- Prepare for an accident or fire. Find out where first aid kits and fire extinguishers are stored and how to use them.
- Keep electrical wires and gas supply hose away from hot surfaces.
- Do not attempt to disconnect any gas fitting part if your gas grill is being used, on the gas grill or the gas regulator / bottle.
- Care is advised when operating your gas grill, you should never leave unattended when in use. Turn off the gas supply at the gas container after use.
- Do not heat an unopened glass or metal jar on the grill. Pressure can build up, causing the jar to explode and serious injury or damage to the grill.
- The gas grill must be cleaned regularly, recommended after each use.
- Do not block the burning openings. Do not block the vents.
- Be careful not to damage burner ports or venturi / nozzle openings when cleaning burner or valves.

Do not attempt to use this appliance in a garage or any enclosed area. **Appliance must be keep away from flammable materials**, etc. We recommend keeping a distance of at least 0.5 to 1.0 meter clear of any flammable materials.

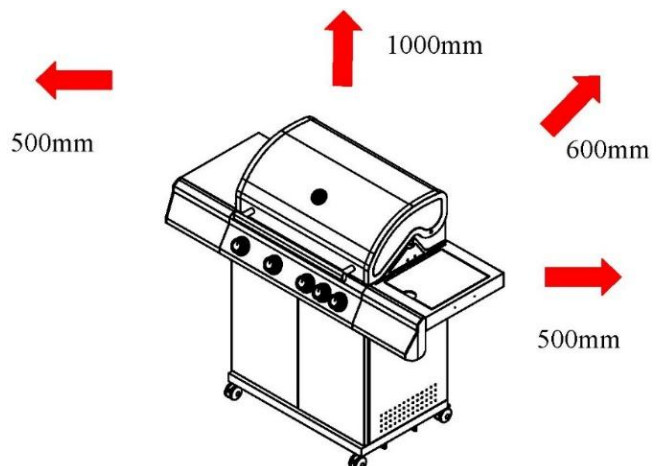
Any modification of the appliance may be dangerous.



WARNING: The handle black area (See above picture for reference) will become hot when the gas grill in use. BE CAREFUL! Do not touch the black area.

Minimum clearances from combustible materials must be:

Rear – 600 mm
Sides – 500 mm
Top – 1000 mm



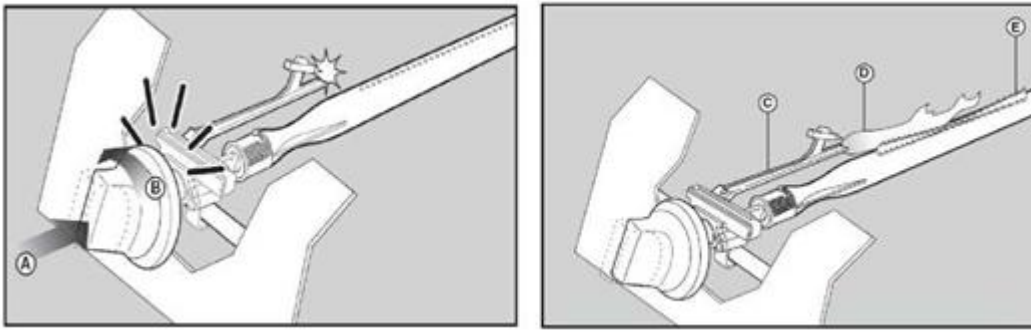
6. Lighting instructions

Caution: The lid must be open when lighting the burner!

Do not stand with your face directly over the gas grill when lighting it.

Pilot Gas Control Ignition:

1. With all gas controls on the Gas grill in the "OFF" position, turn the gas cylinder valve to the on position at the regulator. To create a spark, you must push the control knob in (A) and hold in this position for 3-5 seconds to allow gas flow and then turn anticlockwise to "HIGH" (B). It can spark to the burner lighting tube (C). You will hear a "snap" from the igniter, and you will also see orange flame coming from the burner lighting tube at the left side of the burner (D).
2. Continue to hold the burner control knob in for two seconds after the "snap", this will allow gas to flow completely down the burner tube (E) and insure ignition.
3. When the burner is a light, adjacent burners will cross light when their controls are turned to "HIGH"
4. At "High" setting the burner flame should be longer than with a minimum of orange flame. Turn the gas control fully anticlockwise for minimum setting.
5. Should you have any difficulty lighting your gas grill following the above steps, contact your dealer for advice.



Warning: If the burner still does not light, turn the burner control knob to "OFF" and wait 5 minutes to let the gas clear before lighting again.

7. Storage

Your Gas Bottle must be stored in a well-ventilated area and must be disconnected from your gas grill when not being used. Ensure that you are outdoors and away from any sources of ignition before attempting to disconnect your gas bottle from your gas grill.

When you are using your gas grill after a period of storage, please ensure to check for gas leaks and check for any obstructions in the burner etc. before using. Also follow the cleaning instructions to ensure gas grill is safe.

If gas grill is stored outdoors ensure to check that all areas under the front panel are free from any obstructions (insects etc.) This area must be kept free as this may affect the flow of combustion or ventilation air.

8. Cleaning instructions

Maintenance is recommended that every 90 days for your gas grill, but it is absolutely necessary to perform maintenance at least once a year. By doing so you will extend the life of your gas grill.

Your gas grill is easy to clean with minimum effort, just follow these helpful hints for cleaning convenience.

- Turn on the burner for 15 to 20 minutes. Spilled grease burns off the grill and grill levels. Make sure the unit is cold before continuing.
- The grids shall be cleaned regularly with soap and water.
- The inside of the grill lid should also be washed with water and soap.
- Remove stubborn dirt with a wire brush, steel wool or scouring pad from the cast iron parts.
- Regularly inspect the burners for insects or spiders that may clog the gas system and prevent gas flow. Thoroughly clean the burner tubes and make sure there is nothing that could clog them.
- We recommend using a pipe rack to clean the tube area.
- Any modification to this equipment may be dangerous and is not permitted.

9. Trouble Shooting

Troubleshooting: Problem	Possible cause	Prevention/solution
Grease fire or excessive flames above the grill	Grease accumulated on the burners.	Switch off the LPG container. Leave the lid open and let the flames go out. Once the grill has cooled down, remove any food residue and excessive grease from the burners, grease tray, grease collector, griddle pan and other surfaces.
Gas leaking from a damaged hose	Damaged hose.	Switch off the gas supply from the LPG container. Replace the damaged hose/valve/regulator. Check the LPG container and connectors for leaks.
LPG container leak	Mechanical problem due to long period of storage or misuse.	Switch off the LPG container valve.
LPG container valve leak	Container valve malfunction due to misuse or mechanical problem.	Switch off the LPG container valve. Return the LPG container to the place of purchase.
Gas leak between the LPG container and regulator connector	Incorrect connection; loose connection; faulty rubber fitting.	Switch off the LPG container valve, disconnect the regulator and check the rubber fitting for damages; check the LPG container for leaks and check the regulator's connection to the LPG container.
Flames come through the control panel	Partial blockage of the burner pipe has resulted in a fire.	Switch off the burners and the LPG container valve. Once the fire has been put out and the device has cooled down, remove the burner and check for any spider's webs or rust. See the Cleaning Instructions section of the manual for details.

The burner does not ignite with the igniter	Gas-related problem: 1. You are igniting the wrong burner. 2. The burner is not connected to the control valve. 3. The burner is clogged. 4. No gas flow. 5. Steam built up in the LPG container coupling nut. 6. The coupling nut is not properly connected to the LPG container valve.	1. See the control panel and the use and maintenance section for instructions. 2. Make sure the valve is inside the burner pipes. 3. Make sure the burner pipes are not blocked by spider's webs or other debris. See the Use and maintenance section of the manual for details. 4. Make sure the gas LPG container is not empty. If the LPG container is not empty, see Sudden drop in gas flow. 5. Switch off the control knobs, disconnect the coupling nut from the LPG container. Reconnect and try again. 6. Turn the coupling nut between a half turn and a quarter turn.
The burner does not ignite with the igniter	Electrical problem: 1. Broken electrode, sparks observed. 2. The electrode tip is incorrectly positioned. 3. The wire and/or electrode is covered by food debris. 4. Loose or disconnected wiring. 5. Short-circuit in the wiring (sparks) between the igniter and the electrode. 6. Button is stuck, causing sparks between the igniter and the electrode.	1. Replace the electrode. 2. The electrode tip should point towards the burner opening. The distance should be 3.2–4.8 mm. Adjust if necessary. 3. Clean the wiring and/or electrode with a cotton tip dipped in sanitizer. 4. Reconnect the wiring or replace the electrode/wiring. 5. Replace the igniter wire. 6. Replace the igniter. 7. Check the cable insulation and connection. Replace the wiring if the insulation is damaged.
The burner cannot be lit with a match.	1. See Gas related problem on the previous page. 2. The match is used incorrectly.	1. See the Use and maintenance section of the manual for details.
Sudden drop in gas flow or low flame	Grease accumulation. Very greasy meat. Burner is on too high.	Clean the burners and inside the grill. Trim any excess fat before grilling
Flame goes out	Strong or gusty wind. Low LPG. Gas flow valve was triggered.	Position the front of the grill towards the wind or adjust the flame. Fill the LPG container. See the section Sudden drop in gas flow.
Flame goes out	Strong or gusty wind. Low LPG. Gas flow valve was triggered.	Position the front of the grill towards the wind or adjust the flame. Fill the LPG container. See the section Sudden drop in gas flow.
Continuous grease fire	Grease dripping on the burners.	Switch off the control knobs. Switch off the gas supply from the LPG container. Close the lid and wait for the fire to go out. Once the grill cools down, take out and clean all parts.
Flame flashback (fire in the burner pipes)	The burner and the pipes are clogged.	Switch off the control knobs. Clean the burner and/or pipes. See the Maintenance and use instructions for the section related to cleaning the burner
Flames	Grease accumulation. Very greasy meat. Burner is on too high.	Clean the burners and inside the grill. Trim any excess fat before grilling. Adjust (lower) the temperature.
One burner is not lit by other burners	Grease accumulation or food debris in the transfer pipe.	Clean the transfer pipe with a steel brush.

If the steps above do not resolve the issue, visit the store where you purchased the gas grill.

10. Gas grill Safety Hints

Stand your gas grill on a safe level surface, away from inflammable items such as wooden fences or overhanging tree branches.

Never use your gas grill indoors!

Once lit do not move your gas grill or leave it unattended.

Keep children and pets at a safe distance from the gas grill.

Keep a fire extinguisher handy.

The gas grill will become hot when in use, so handle lids etc. with the help of gloves.

Ensure that the appliance has completely cooled down before storing.

Use outdoors only!

Read the instructions before using the gas grill.

Assessable parts may be very hot, Keep young children away!

Do not move the gas grill during using.

Turn off the gas supply at the gas container after use.

Any modification of the appliance may be dangerous and be not permitted.

11. Warranty

The warranty for this product is 1 year from the date of purchase.

The warranty is void if the product is used for purposes other than its original purpose, or if the product is used for commercial / professional or rental use.

The warranty does not cover damage resulting from natural conditions or damage resulting from improper storage.

For warranty issues, contact your dealer.

12. Environmental protection

When disposing of the packaging of the product, follow the recycling rules of different materials and local instructions of waste management.

The appliance should not be disposed of with mixed waste.

Edututor Oy Kannistontie 5, 36220 Kangasala, Finland




KAASUGRILLI 6 + 1 + 1 poltinta

KÄYTTÖ- JA KUNNOSSAPITO-OPAS

Tuote 8340



TEKNISET TIEDOT

		Edututor Kannistontie 5 36220 Kangasala, Finland		Kaasugrilli PIN-NUMERO 2531CS-0116 SARJANUMERO G8611-S/8924/PO8854		
Kohdemaat	Kaasuluokka	Kaasutyyppi ja syöttöpaine	Pääpoltin Suuttimen halkaisija Ø	Sivupoltin Suuttimen halkaisija Ø	Takapoltin Suuttimen halkaisija Ø	6 poltin + sivupoltin + takapoltin Nimellislämpöteho (Hs)
BE, CY, DK, EE, FI, HU, LT, NL, NO, SE, SI, SK, RO, HR, TR, BG, LU, MT	I 30B/P (30)	LPG- kaasuseokset (butaani / propaani) 30 mbar	0.90 mm	0.85 mm	0.90 mm	27.7 kW / 2017 g/h

TÄMÄ KAASUGRILLI ON TARKOITETTU VAIN ULKOKÄYTTÖÖN!

TÄRKEÄÄ! LUE KAIKKI OHJEET JA TOIMINNOT ENNEN TÄMÄN LAITTEEN KÄYTTÄMISTÄ!

SÄILYTÄ NÄMÄ OHJEET TULEVAA TARVETTA VARTEN!

MUU KUIN KÄYTTÖOHJEESSA MÄÄRITELTY KÄYTTÖ ON KIELLETTY!

EI AMMATTIKÄYTTÖÖN!

HUOMIO

Lue ohjeet huolellisesti läpi ennen käyttöönottoa.

Ohjeet vähentävät loukkaantumiseriskiä.

Jos ohjeita ei noudateta saattaa seurauksena olla vaarallinen tulipalo tai tuotteen vioittuminen.

Ostajan vastuulla on huolehtia siitä, että grilli on kunnolla koottu, asennettu ja se pidetään kunnossa. Tämän käyttöohjeen noudattamatta jättäminen saattaa johtaa henkilövahinkoon ja/tai omaisuusvahinkoon.

VAROITUKSET

Tätä laitetta voivat käyttää vähintään 8-vuotiaat lapset ja sellaiset henkilöt, joiden fyysiset, aistinvaraiset tai henkiset ominaisuudet ovat alentuneet tai joilla ei ole kokemusta ja tietoa, jos heitä valvotaan tai heitä on opastettu käyttämään laitetta turvallisesti ja jos he ymmärtävät laitteen käyttöön liittyvät vaarat.

Lapset eivät saa leikkiä laitteella. Alle 3-vuotiaat lapset on pidettävä poissa, ellei heitä jatkuvasti valvota.

Lapset eivät saa puhdistaa laitetta eivätkä he saa tehdä laitteen hoitotoimenpiteitä ilman valvontaa.

Huomio: Laitteen eräät osat voivat tulla erittäin kuumiksi ja voivat aiheuttaa palovammoja. Erityistä huomiota on kiinnitettävä, kun lapset ja herkät ihmiset ovat läsnä.

Vain ulkokäyttöön.

Lue ohjeet ennen laitteen käyttämistä.

Säilytä tämä opas tulevaa tarvetta varten.

Älä siirrä laitetta käytön aikana.

Varoitus: kosketeltavat osat saattavat olla hyvin kuumia. Pidä pienet lapset loitolla.

Käännä kaasun tulo kaasupullostakiinni käytön jälkeen.

Kaikenlainen laitteen muuntelu voi olla vaarallista.

Käyttäjä ei saa muuttaa valmistajan tai sen edustajan sinetöimiä osia.

Laite on pidettävä käytön aikana kaukana syttyvistä aineista.

Älä koskaan sytytä kaasugrilli bensiinillä tai vastaavilla nesteillä!

Laitteen käyttäminen muuhun kuin suunniteltuun tarkoitukseen voi aiheuttaa vaaraa.

Paineensäädin ja letku ovat kytkettävä laitteeseen oikein.

Älä pidä kaasupulloa grillivaunun sisällä käytön aikana. Kaasupulloa ei saa sijoittaa laitteen sisään.

JOS HAISTAT KAASUA:

- Katkaise kaasuntulo pullostaki.
- Sammuta kaikki liekit.
- Tuuleta alue.
- Tarkasta vuodot kuten kerrottu tässä käyttöoppaassa.
- Jos haju ei häviä, ota välittömästi yhteys kaasun toimittajaan.

VAROTOIMET

Vuototestaa kaikki liitännät aina pullon vaihdon jälkeen ja ennen jokaista käyttöä.

Älä koskaan etsi vuotoja tulitikulla tai liekillä.

Älä säilytä tai käytä bensiiniä tai muita syttyviä höyryjä ja nesteitä tämän laitteen lähellä.

Mitään LP-kaasupulloa, jota ei ole liitetty käyttöön, ei saa säilyttää tämän laitteen lähellä.

KOKOAMINEN

VAROITUS: Vaikka grillin valmistuksessa on tehty kaikki mahdollinen terävien reunojen poistamiseksi, käsittele kaikkia osia varovasti loukkaantumisten välttämiseksi.

Tarvittavat työkalut: Joko ristipääruuvimeisseli tai tasapäinen ruuvimeisseli tai avain.

Lue kaikki ohjeet huolellisesti ennen aloittamista. Etsi iso, siisti alue, jolla voit koota grillisi. Tutustu osaluetteloon ja kokoonpanokaavioon tarpeen mukaan. Grillin kokoamisessa käsitellään monia isoja osia, kahden henkilön osallistuminen laitteen kokoamiseen on suositeltavaa.

HUOMAUTUS: Varmista, että kaikki muovisuojat on poistettu ennen kokoamista!

Sisällys

1. Kokoaminen
2. Valmistelu
3. Asennus
4. Sivupoltin
5. Varoitus- ja turvallisuuskohdat
6. Sytytysohjeet
7. Säilytys
8. Puhdistusohjeet
9. Vianmääritys
10. Turvallisuuskonkkejä
11. Takuu
12. Ympäristönsuojelu

1. Kokoaminen

Varmista, että grilli kootaan asianmukaisesti. Grillin mukana toimitetaan yksityiskohtaiset kokoamisohjeet, joista selviävät mallikohtaiset kokoamisvaiheet. Noudata näitä ohjeita huolellisesti grillin asianmukaisen ja turvallisen kokoamisen varmistamiseksi.

Huomio! Vaikka teemme kaikkemme, jotta kokoaminen olisi mahdollisimman helppoa, teräsosien kulmat ja reunat saattavat aiheuttaa viiltoja, jos niitä käsitellään virheellisesti kokoamisen aikana. Ole varovainen käsitellessäsi osia kokoamisen aikana. Suosittelemme suojaamaan kädet työkäsineillä.

2. Valmistelu

Tämän grillin käyttöä varten tarvittavat nestekaasupullon ja asianmukaiset kaasun paineensäätimet. Säädinten tulee vastata standardin EN16129 uusinta versiota sekä kansallisia säädöksiä.

Energiansäästövinkejä:

- Pidä kantta auki mahdollisimman vähän aikaa.
- Kytke grilli pois päältä heti, kun grillaus on valmis.
- Esilämmitä kaasugrillia vain 10–15 minuuttia (ensimmäistä käyttöä lukuun ottamatta).
- Älä käytä suositeltua korkeampaa asetusta.

3. Asennus

Kun olet ostanut kaasupullon, sen voi kiinnittää kaasugrilliin. Liitä letku ja matalapainesäädin kaasusäiliöön. Letkun halkaisija on 8 mm.

- a) **Kaasupullo tulee vaihtaa loitolla kaikista syttymislähteistä.** Sijoita kaasupullo kaasugrillisi sivulle, mutta muista kuitenkin, että kaasusäiliö on pidettävä loitolla lämmönlähteistä ja turvallisessa paikassa.
- b) Kun olet valmis käyttämään kaasugrillia, liitä matalapainesäädin kaasupullon venttiiliin ja tarkista kiinnitys huolellisesti. **Letkun suositeltu enimmäispituus on 1,5 m.**



Varoitus: Ennen kuin aiot sytyttää kaasugrillin sinun on katsottava sytyttämisestä annetut ohjeet ja varoitus-/turvallisuuskohdat.



Varoitus: Testaa aina saippuavedellä, ettei kaasuletken liittimessä ole vuotoja, ja tarkista näin liitännät.

Tarkista letku ennen jokaista käyttöä murtumien, viiltojen ja kulumien varalta.

Jos havaitset letkun olevan jollain tapaa viallinen, älä yritä käyttää kaasugrillia.

Kun vaihdat kaasupulloa, varmista, että lähistöllä ei ole syttymislähteitä, esim. liekkejä, savukkeita, avotulta ym. Varmista, että laite on kytketty pois päältä.

Varmista, ettei letku ole kiertynyt, mikä vaikuttaa kaasun virtaukseen kaasugrillia käyttäessäsi.

Letkuun ei myöskään saa kohdistua kohtuutonta jännitystä, eikä se saa osua kaasugrillin mihinkään mahdollisesti kuumaan osaan.

Säiliön vaihtaminen

Näissä säiliöissä on säädin, johon sisältyy kytkin kaasun syötön ohjaamiseksi päälle tai pois päältä.

Kaasupullon liittäminen ja irrottaminen

Katso matalapainesäätimen ohjeet.

YLEINEN

Vaikka kaikki grillin kaasuliitännät ovat vuototestattu tehtaalla pakkausvaiheessa ennen lähettämistä, on suoritettava täydellinen kaasutiiviystestaus. Tarkasta säännöllisesti koko järjestelmä vuotojen varalta noudattaen alla lueteltuja menettelyjä. Jos kaasun haju havaitaan milloin tahansa, tulisi välittömästi tarkistaa koko järjestelmä vuotojen varalta.

ENNEN TESTAUSTA

Varmista, että kaikki pakkausmateriaalit on irrotettu grillistä, kiinnityshihnat mukaan lukien.

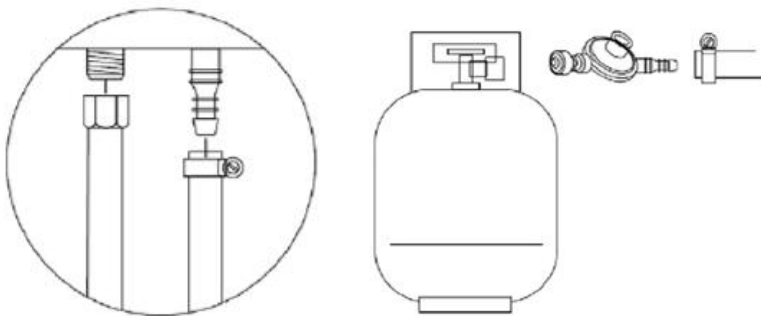
ÄLÄ KOSKAAN suorita vuototestiä avoliekin avulla.

Tee saippualliuos yhdestä osasta nestemäistä pesuainetta ja yhdestä osasta vettä. Tarvitset sumutuspullon, harjan tai rievun liuoksen levittämiseen liitososiin.

TESTAUS

1. Varmista, että säätöventtiilit ovat OFF-asennossa ja kytke kaasun syöttö päälle.
2. Tarkista kaikki liitännät kaasusäätimestä ja syöttöventtiilistä liitosputken putkikokoonpanoon saakka (mukaan lukien polttimiin kulkeva putki). Saippuakuplat ilmestyvät, jos vuotoa on.
3. Jos vuoto esiintyy, katkaise heti kaasun syöttö ja kiristä vuotavat liitososat.
4. Kytke kaasu takaisin päälle ja tarkista.
5. Jos kaasua vuotaa edelleen jostakin liitososasta, katkaise kaasun syöttö.

Tarkista aina vuodot myös kaasupullon vaihdon yhteydessä.



1. Asenna matalapainesäätimen letku kiinni grilliin.
 2. Asenna matalapainesäädin ja letku kaasupulloon.
- Älä käytä grilliä, ennen kuin kaikki liitännät on tarkistettu vuotojen varalta.

4. Sivupoltin

Jotta saavutettaisiin paras tulos vähimmäiskulutuksella, on hyvä pitää seuraavat seikat mielessä:

Kun poltin on käynnissä, säädä liekki tarpeidesi mukaan, maksimiasennosta minimiin.

Käytä oikeaa pannukokoa (vain tasaisen pohjan kanssa) jokaisessa polttimessa.

Kun astian sisältö alkaa kiehua, käännä nuppi alas ”Minimi-asentoon” (pieni liekki).

Aseta aina kansi kattilaan.

Suosittelaa käytettäväksi Ø pannuja 20–24 cm.

Sivupöytien alla, polttimoiden korkeudella on isohkot aukot, josta happi pääsee sujuvasti polttimoille ja takaa tasaisen polton.

5. Turvallisuusvaroitukset

Lue seuraavat varoitukset ennen kaasugrillin käyttöönottoa:

- Älä käytä kaasugrilliä kaasuvuodon ilmetessä. Kytke kaasun tulo pois päältä.
- Testaa aina liitäntöjen tekemisen jälkeen saippuavedellä, ettei kaasuletkun liittimessä ole vuotoja.
- Yläkannen on aina oltava auki, kun poltin sytytetään.
- Käytä patakintaita ja tukevia pitkävartisia grillivälineitä grillatessasi.
- Valmistaudu onnettomuuden tai tulipalon varalta. Ota selville, missä ensiapupakkauksia ja palosammuttimia säilytetään ja kuinka niitä käytetään.
- Pidä sähköjohdot ja kaasun syöttöletku loitolla kuumista pinnoista.
- Älä yritä irrottaa mitään kaasugrillin tai kaasun säätimen/kaasupullon liitososia grillin ollessa käytössä.
- Grilliä käytettäessä on noudatettava huolellisuutta. Sitä ei saa jättää valvomatta käytön aikana. Käännä kaasun tulo kaasupullostasta kiinni käytön jälkeen.
- Älä lämmitä avaamatonta lasi- tai metallipurkkia grillissä. Painetta saattaa muodostua, jolloin purkki voi räjähtää ja aiheuttaa vakavan henkilövahingon tai grillin vaurioitumisen.
- Kaasugrilli on puhdistettava säännöllisesti, suositus jokaisen käytön jälkeen.
- Älä tuki säiliöosan paloaukkoja. Älä tuki säiliöosan tuuletusaukkoja.
- Varo vaurioittamasta polttimen portteja tai venturin/suuttimen aukkoja puhdistatessasi poltinta tai venttiilejä.

Älä yritä käyttää tätä laitetta varastossa tai muussa suljetussa tilassa. **Tämä laite on myös pidettävä poissa herkästi syttyvistä materiaaleista.** Suosittelemme pitämään etäisyytenä vähintään 0,5 – 1,0 metriä.

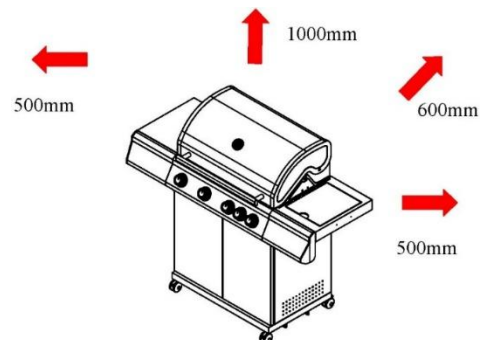
Kaikenlainen laitteen muuntelu voi olla vaarallista.



VAROITUS: Kahvan reunat (katso yllä oleva kuva) kuumenee kaasugrillin ollessa käytössä, OLE VAROVAINEN! Älä koske reunoihin.

Etäisyys palaviin materiaaleihin on oltava vähintään:

Takana – 600 mm
Sivuilla – 500 mm
Yläpuolella – 1000 mm



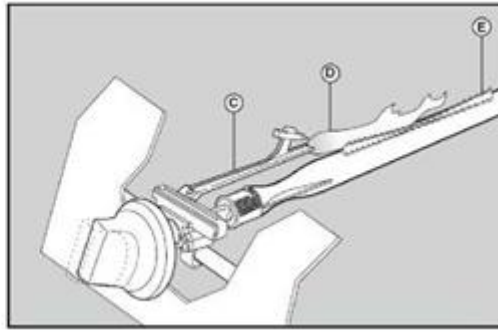
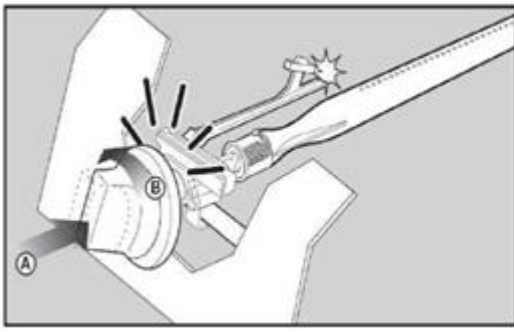
6. Sytytysohjeet

Huomio! Kannen on oltava auki poltinta sytytettäessä!

Älä pidä kasvojasi suoraan kaasugrillin yllä sytyttäessäsi sitä.

Kaasun sytytys:

1. Varmista, että kaikki kaasugrillin säätönapulat ovat OFF-asennossa ja käännä kaasusäiliön venttiili auki säätimestä. Kipinän muodostamiseksi paina säätönapulaa (A) ja pidä sitä painettuna 3-5 sekuntia, jotta kaasu alkaa virrata, ja käännä sitä sitten vastapäivään asentoon HIGH (B). Näin polttimen sytytysputki (C) syttyy. Sytyttimestä kuuluu napsahdus ja polttimen sytytysputkesta polttimen (D) vasemmalla puolella syttyy liekki.
2. Pitele polttimen säätönapulaa painettuna vielä kaksi sekuntia napsahduksen jälkeen. Näin kaasu pääsee täysin virtaamaan polttimen putkesta (E), ja grilli syttyy.
3. Kun poltin palaa, viereiset polttimet sytyvät palamaan, kun niiden säätönapulat käännetään HIGH-asentoon.
4. HIGH-asetuksella polttimen liekin tulisi olla korkeampi ja oranssin liekin mahdollisimman pieni. Pienintä mahdollista asetusta varten käännä kaasun säätönapula kokonaan vastapäivään.
5. Jos kaasugrillin sytyttämisessä ilmenee vaikeuksia yllä olevia ohjeita noudattaen, kysy neuvoa liikkeestä, josta ostit tuotteen.



Varoitus! Jos poltin ei vieläkaan syty, käännä polttimen säätönapputa OFF-asentoon ja odota 5 minuuttia kaasun selkiytymiseksi ennen uudelleen sytyttämistä.

7. Säilytys

Kaasupullo on säilytettävä paikassa, jossa ilma pääsee hyvin kiertämään ja se on irrotettava kaasugrillistä kun sitä ei käytetä. Huolehdi siitä, että olet ulkona ja loitolla syttymislähteistä ennen kuin yrität irrottaa kaasupulloa kaasugrillistä. Kun otat kaasugrillin käyttöön säilytysajan jälkeen, tarkista, ettei kaasuvuotoja ole. Tarkista ennen käyttöä myös, ettei poltin tmv. ole tukossa. Noudata myös puhdistusohjeita sen varmistamiseksi, että kaasugrilli on turvallinen. Jos kaasugrillillä säilytetään ulkona, varmista, ettei etupaneelin alla ole vierasta ainesta (esim. hyönteisiä). Se on pidettävä puhtaana, sillä se saattaa vaikuttaa palamiseen tai ilman kiertämiseen.

8. Puhdistusohjeet

Kaasugrillin kunnossapitoa suositellaan 90 päivän välein, mutta huolto on suoritettava vähintään kerran vuodessa. Näin pidennät kaasugrillin käyttöikää. Kaasugrilli on helppo puhdistaa vähällä vaivalla näitä hyödyllisiä vinkkejä noudattamalla.

- Kytke poltin päälle 15–20 minuutiksi. Valunut rasva palaa pois grillistä ja grillaustasoista. Varmista, että laite on kylmä ennen kuin jatkat.
- Ritilät on puhdistettava säännöllisesti vedellä ja saippualla.
- Myös grillin kannen sisäpinnat on pestävä vedellä ja saippualla.
- Poista pinttynyt lika teräsharjalla, teräsvillalla tai hankaussienellä valurautaritilästä.
- Tarkista säännöllisesti, ettei polttimissa ole hyönteisiä tai hämähäkkejä, jotka voivat tukkia kaasujärjestelmän ja estää kaasun virtauksen. Puhdista polttinten venturiputket huolellisesti ja varmista, ettei niihin jää mitään, mikä voisi tukkia ne. Venturiputken alueen puhdistukseen suosittelemme käyttämään piippurassia.
- Tämän laitteen kaikenlainen muuntelu saattaa olla vaarallista, eikä ole sallittua.

9. Vianmääritys

Vianmääritys: Ongelma	Mahdollinen syy	Ehkäisy/ratkaisu
Rasvapalo tai jatkuvasti liian paljon liekkejä grillaustason yläpuolella	Polttimiin on kertynyt liikaa rasvaa.	Kytke nestekaasusäiliö pois päältä. Jätä kansi auki, jotta liekit pääsevät sammumaan. Kun grilli on jäähtynyt, puhdista ruokajäämät ja liika rasva poltinalueelta, rasvakupista, rasvankeräyspelliltä, grillipannulta ja muilta pinnoilta.
Kaasua vuotaa murtuneesta/rikkoutuneesta/ palaneesta letkusta	Vaurioitunut letku.	Kytke kaasun tulo pois päältä nestekaasusäiliöstä. Jos letku on rikki tai murtunut, vaihda venttiili/letku/säädin. Tee nestekaasusäiliön vuototesti ja tarkista säätimen liitäntä nestekaasusäiliöön.
Kaasuvuoto nestekaasusäiliöstä	Mekaaninen häiriö käyttämättömänä olon tai väärinkäytön vuoksi.	Kytke nestekaasusäiliön venttiili pois päältä.
Kaasuvuoto nestekaasusäiliön venttiilistä	Säiliön venttiilin toimintahäiriö väärinkäytön vuoksi tai mekaaninen häiriö.	Kytke nestekaasusäiliön venttiili pois päältä. Palauta nestekaasusäiliö kaasun myyjälle.
Kaasuvuoto nestekaasusäiliön ja säätimen liitännän	Virheellinen asennus, liitäntä ei ole tiivis, kumitiiviste rikki.	Kytke nestekaasusäiliön venttiili pois päältä, irrota säädin säiliöstä ja tarkista kumitiiviste silmämääräisesti vaurioiden varalta, tee

välillä		nestekaasusäiliön vuototesti ja tarkista säätimen liitäntä nestekaasusäiliöön.
Liekit lyövät ohjauspaneelin läpi	Polttimen putkiosassa on tulipalo osittaisen tukkeutumisen vuoksi.	Kytke säätönappulat ja nestekaasusäiliön venttiili pois päältä. Kun palo on sammunut ja grilli jäähtynyt, irrota poltin ja tarkista, ettei siinä ole hämähäkin pesiä eikä ruostetta. Katso sivuja, joilla käsitellään luonnon aiheuttamia vaaratilanteita ja polttimen puhdistusta.
Poltin ei syty sytyttimen avulla	Kaasuun liittyvä ongelma: 1. Yrität sytyttää väärää poltinta. 2. Poltin ei ole liitetty ohjausventtiiliin. 3. Polttimessa on tukos. 4. Ei kaasun virtausta. 5. Höyrylukko liitosmutterissa nestekaasusäiliöön. 6. Liitosmutteria ja nestekaasusäiliön venttiiliä ei ole kunnolla liitetty.	1. Katso ohjeet ohjauspaneelista ja käyttö ja kunnossapito-osiosta. 2. Varmista, että venttiili on poltinputkien sisäpuolella. 3. Varmista, etteivät poltinputket ole tukkeutuneet hämähäkin verkoista tai muista vastaavista. Katso Käyttö ja kunnossapito -osion puhdistukseen liittyvä kohta. 4. Varmista, ettei nestekaasusäiliö ole tyhjä. Jos nestekaasusäiliö ei ole tyhjä, katso Äkillinen lasku kaasun virtauksessa. 5. Kytke säätönappulat pois päältä ja irrota liitosmutteri nestekaasusäiliöstä. Liitä uudelleen ja yritä jälleen. 6. Käännä liitosmutteria noin puolesta kierroksesta kolmeen neljäsosa kierrokseen.
Poltin ei syty sytyttimen avulla	Elektroninen ongelma: 1. Elektrodi on murtunut tai rikki, kipinöitä murtumakohdasta. 2. Elektrodin kärki ei ole oikeassa asennossa. 3. Johto ja/tai elektrodi on ruoka-ainejäämien peitossa. 4. Johdot ovat löysällä tai irronneet. 5. Johdot ovat oikosulussa (kipinöivät). 6. Painike jumittuu pohjaan ja kipinöi sytyttimen ja elektrodin välillä.	1. Vaihda elektrodi. 2. Elektrodin kärjen tulisi osoittaa polttimen portin aukkoa kohden. Etäisyyden tulisi olla 3,2–4,8 mm. Säädä tarvittaessa. 3. Puhdista johto ja/tai elektrodi puhtaaseen pumpulipuikkoon kastetulla alkoholilla. 4. Liitä johdot uudelleen tai vaihda elektrodi-/johtokokoonpano. 5. Vaihda sytyttimen johto. 6. Vaihda sytytin. 7. Tarkista johdon eriste ja oikea liitäntä. Vaihda johdot, jos eriste on rikki.
Poltin ei syty tulitikulla	1. Katso kaasuun liittyvä ongelma edelliseltä sivulta. 2. Tulitikkusytytyksen virheellinen menetelmä	1. Katso Käyttö- ja kunnossapito-osion tulitikkusytytykseen liittyvä kohta.
Äkillinen lasku kaasun virtauksessa tai matala liekki	Rasvakertymä. Liian rasvainen liha. Liian korkea paistolämpötila.	Puhdista polttimet ja grillin sisäpuoli. Leikkaa ihra lihasta ennen grillausta
Liekit sammuvat	Kova tai puuskittainen tuuli. Nestekaasu on loppumassa. Virtausta säätelevä venttiili lauennut.	Käännä grillin etupuoli tuulta kohden tai lisää liekkien korkeutta. Täytä nestekaasusäiliö. Katso yltä kohta Äkillinen lasku kaasun virtauksessa.
Liekit sammuvat	Kova tai puuskittainen tuuli. Nestekaasu on loppumassa. Virtausta säätelevä venttiili lauennut.	Käännä grillin etupuoli tuulta kohden tai lisää liekkien korkeutta. Täytä nestekaasusäiliö. Katso yltä kohta Äkillinen lasku kaasun virtauksessa.
Jatkuva rasvapalo	Rasvaa on päässyt ruoasta poltinjärjestelmän ympärille.	Kytke säätönappulat pois päältä. Kytke kaasun tulo pois päältä nestekaasusäiliöstä. Jätä kansi paikalleen ja anna palon palaa loppuun. Kun grilli on jäähtynyt, poista ja puhdista kaikki osat.
Liekin takaisinlyönti (tuli poltinputkessa)	Poltin ja poltinputket ovat tukossa.	Kytke säätönappulat pois päältä. Puhdista poltin ja/tai poltinputket. Katso Käyttö- ja kunnossapito-oppaasta polttimen puhdistukseen liittyvä kohta.
Leimahdukset	Rasvakertymä Liian rasvainen liha	Puhdista polttimet ja grillin sisäpuoli. Leikkaa ihra lihasta ennen grillausta.

	Liian korkea paistolämpötila	Säädä (alenna) lämpötilaa.
Yksi poltin ei syty muista polttimista	Rasvakertymiä tai ruokajäämiä siirtoputkessa	Puhdista siirtoputki teräsharjalla.

Jos ongelma ei ratkea yllä annettujen ohjeiden avulla, käy liikkeessä, josta ostit kyseisen kaasugrillin.

10. Turvallisuusvinkkejä kaasugrillin käyttöön

Lue ohjeet ennen kaasugrillin käyttämistä.

Aseta kaasugrilli turvalliselle tasaiselle pinnalle, loitolle tulenaroista esineistä, kuten puuaidoista tai riippuvista puiden oksista.

Älä käytä kaasugrilliä sisätiloissa! Vain ulkokäyttöön!

Kun grilli on sytytetty, älä siirrä sitä äläkä jätä sitä valvomatta.

Pidä lapset ja lemmikkieläimet turvallisen etäisyyden päässä kaasugrillistä.

Kaasugrilli kuumenee käytettäessä, joten käsittele kansia ym. patakintaiden avulla.

Pidä palosammutin käden ulottuvilla.

Käännä kaasun tulo kaasupullosta kiinni käytön jälkeen.

Varmista, että laite on täysin jäähtynyt ennen sen asettamista säilytykseen.

Tämän laitteen kaikenlainen muuntelu saattaa olla vaarallista, eikä ole sallittua.

11. Takuu

Tuotteen takuu on voimassa 1 vuoden ostopäivästä.

Takuu ei ole voimassa, jos tuotetta käytetään muihin tarkoituksiin kuin sen alkuperäiseen tarkoitukseen, sekä jos tuotetta käytetään kaupalliseen / ammatilliseen tai vuokrauskäyttöön.

Takuu ei kata luonnonolojen aiheuttamia vahinkoja, eikä vaurioita jotka johtuvat virheellisestä säilytyksestä.

12. Ympäristönsuojelu

Tuotteen pakkausta hävitettäessä noudata materiaalista riippuen paikallisia jätehuollosta ja kierrätyksestä annettuja ohjeita.

Laitetta ei tule hävittää sekajätteen mukana.



GASGRILL FÖR UTOMHUSBRUK 6+1+1

HANDHAVANDE- OCH UNDERHÅLLSMANUAL SKÖTSEL

Artikel 8340



TEKNISKA DATA

KUBE		Edututor Kannistontie 5 36220 Kangasala, Finland		Gasgrill PIN-NUMMER 2531CS-0116 SERIENUMMER G8611-S/8924/PO8854		
Målländer	Gasklass	Gastyp och inloppstryck	Huvudbrännare	Sidobrännare	Bakbrännare	6 brännare + 1 sidobrännare + 1 bakbrännare
			Munstyckets diameter Ø	Munstyckets diameter Ø	Munstyckets diameter Ø	Nominell värmeeffekt (Hs)
BE, CY, DK, EE, FI, HU, LT, NL, NO, SE, SI, SK, RO, HR, TR, BG, LU, MT	I 30B/P (30)	LPG-gasblandningar 30 mbar	0.90 mm	0.85 mm	0.90 mm	27.7 kW / 2017 g/h

**DENNA GASGRILL ÄR UTESLUTANDE AVSEDD FÖR ANVÄNDNING UTOMHUS!
VIKTIGT! LÄS SAMTLIGA ANVISNINGAR OCH INSTRUKTION OM FUNKTIONER INNAN DU
ANVÄNDER DENNA ENHET!
SPARA DESSA ANVISNINGAR FÖR FRAMTIDA REFERENS!
ANDRA ÄN I DENNA MANUAL ANGIVNA ANVÄNDNINGAR ÄR FÖRBJUDNA!
EJ AVSEDD FÖR YRKESMÄSSIG ANVÄNDNING!**

VIKTIGT

Läs all anvisningar innan du använder denna enhet.

Att efterleva anvisningarna minskar risken för personskador.

Underlåtenhet att efterleva anvisningarna kan resultera i brand eller skada på produkten.

Det åligger ägaren att säkerställa att grillen är korrekt monterad, installerad och att den underhålls på rätt sätt.

Underlåtenhet att efterleva anvisningarna i denna manual kan leda till skada på egendom och/eller personskador.

VARNINGAR

Denna apparat kan bara användas av barn från 8 år och äldre och av personer med nedsatt fysik, sensoriskt eller mentalt handikapp eller som saknar erfarenhet och kunskap om de övervakas och har erhållit anvisningar om apparatens användning på ett säkert sätt och förstår riskerna med den.

Låt inte barn leka med enheten. Håll barn, yngre än 3 år, på avstånd från enheten om de inte står under kontinuerlig uppsikt. Låt inte barn rengöra den eller på annat sätt interagera med enheten om de inte står under uppsikt.

Observera: Vissa delar på enheten kan bli mycket heta och förorsaka brännskador. Var speciellt försiktig när barn eller handikappade personer uppehåller sig i apparatens närhet.

Endast för användning utomhus.

Läs anvisningarna noga innan du använder apparaten.

Åtkomliga delar kan bli mycket heta. Håll små barn på avstånd.

Flytta inte apparaten under användningen.

Stäng ventilen på gasflaskan efter användningen.

All modifiering av apparaten kan medföra fara.

Delar som förslutits av tillverkaren eller återförsäljaren får inte ändras av användaren.

Observera:

Vissa delar på denna apparat blir mycket heta. Var extra försiktig när barn eller äldre personer är närvarande.

För din egen säkerhet:

Tänd aldrig en gasgrill med bensen eller liknande vätskor!

Förslag: användaren får inte ändra den av tillverkaren emballerade enheten.

Anslut tryckregulatorn och slangen korrekt till enheten.

Förvara inte gasflaskan inuti grillvagnen vid användningen. Gasflaskan får inte placeras på enhetens insida.

OM DU KÄNNER GASLUKT:

- Stäng av gastillförseln.
- Släck alla brännare.
- Ventilera området.
- Kontrollera om det finns läckor enligt beskrivningen i denna manual.
- Om lukten inte försvinner, kontakta gasleverantören omedelbart.

SÄKERHETSANVISNINGAR

Prova alla anslutningar med avseende på läckage efter byte av gasflaska och före användning.

Använd aldrig tändstickor eller öppen låga vid läckageprov.

Förvara eller använd inte motorbensin eller andra lättantändliga ångor eller vätskor i enhetens närhet.

Förvara inte andra gasflaskor nära enheten.

MONTERING

VARNING: Även om åtgärder har vidtagits vid tillverkningen för att avlägsna skarpa kanter ska alla delar hanteras försiktigt för att undvika personskador.

Erforderliga verktyg: Skruvmejsel eller en spårskruvmejsel/skruvnyckel.

Läs alla anvisningar noga före användning. Montera grillen i ett rymligt och rent område. Vid tvekan, se dellistan och illustrationerna. Vissa av grillens delar är stora. Grillen bör därför monteras av två personer.

OBSERVERA: Säkerställ att plasttäckningarna avlägsnas före montering!

Innehållet i denna manual:

1. Montering
2. Förberedelse
3. Installation

4. Sidobrännare
5. Varningar och säkerhetsanvisningar
6. Tändning av grillen
7. Förvaring
8. Rengöring
9. Felsökning
10. Säkerhetsråd
11. Garanti
12. Miljöskydd

1. Montering

Säkerställ att din grill är korrekt monterad. Detaljerade monteringsanvisningar medföljer alla grillar och beskriver specifika monteringsprocedurer för respektive modell. Följ dessa anvisningar noga för att säkerställa korrekt och säker montering av grillen.

Försiktighet: Även om vi vidtagit alla tänkbara åtgärder för att säkerställa att monteringsproceduren är så enkel som möjligt är det oundvikligt att ståldelar med hörn och kanter kan förorsaka skärsår vid felaktig hantering under monteringsproceduren. Var försiktig vid hantering och montering av delarna. Vi rekommenderar bestämt att du skyddar händerna med arbetshandskar.

2. Förberedelse

Vid användning av denna grill krävs en behållare med gasol och en passande gastrycksregulator. Regulatorn måste överensstämma med den senaste versionen av EN16129 och nationella bestämmelser.

Denna apparat får endast användas med en godkänd slang och regulator.

Energispartips

- Minska tiden som locket är öppet.
- Stäng genast av grillen när grillningen är avslutad.
- Förvärm gasgrillen i högst 10 till 15 minuter. (Utom vid första användningen.)
- Använd inte högre värme än nödvändigt.

3. Installation

Efter inköp av gasflaska är du redo att ansluta den till gasgrillen. Anslut slangen och regulatorn till gasflaskan på grillens högra sida. Slangens diameter är 8 mm

- a) **Byte av gasflaska får inte ske i närheten av en antändningskälla.** Placera gasflaskan på gasgrillens sida, inte under den. Ha i åtanke att gasflaskan måste hållas på avstånd från värme och på en säker plats.
- b) När du är klar att använda gasgrillen ska regulatorn monteras på gasflaskans ventil. Kontrollera att den är ordentligt åtdragen. **Slangens längd får inte överstiga 1,5 m.**



Varning: Innan gasgrillen tänds måste anvisningarna för tändning samt varningarna / säkerhetsanvisningarna läsas.



Varning: Läckageprova alltid gasledningen med tvålatten efter varje anslutning. Hur att koppla bort en gasflaska

Kontrollera slangen före varje användning med avseende på sprickor, jack och slitage.

Om slangen uppvisar några som helst brister får den inte användas med din gasgrill.

Säkerställ vid byte av gasflaska att inga antändningskällor finns i närheten, t.ex. eld, cigaretter och öppna lågor. Säkerställ att apparaten är avstängd.

Säkerställ att slangen inte utsätts för vridning som kan påverka gasflödet när du använder din gasgrill. Slangen får vidare inte utsättas för dragning och får inte vara i kontakt med någon del på gasgrillen som kan vara het.

Byte av gasflaska

Flaskan är försedd med en regulator med en ventil för att sätta på och stänga av gastillförseln.

Att ansluta/koppla bort gasflaskan

Se anvisningarna för lågtrycksregulatorn.

ALLMÄNT

Även om alla gasanslutningar på grillen är läckageprovade på fabriken före utskeppning måste, till följd av potentiellt felaktig hantering under frakten eller att flaskan omedvetet fyllts till för högt tryck, en komplett gastäthetskontroll utföras på installationsplatsen. Utför regelbundna läckagekontroller på hela systemet enligt nedan angivna procedurer. Om du känner gaslukt ska du omedelbart utföra ett läckageprov på hela systemet.

FÖRE PROVNING

Säkerställ att allt emballagematerial har avlägsnats från grillen, inklusive surrningsband.

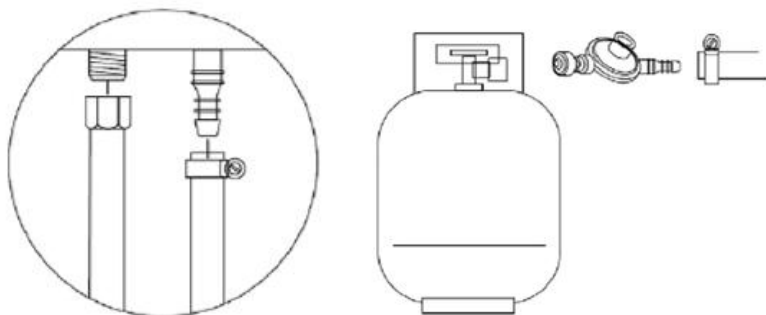
Utför ALDRIG läckageprov med en öppen låga.

Tillred en tvålösning med en del rengöringsvätska och en del vatten. Du kommer att behöva en sprejflaska, borste eller trasa för att anbringa lösningen på armaturerna.

ATT PROVA

1. Säkerställ att gasvreden står i läge FRÅN och öppna gastillförseln.
2. Kontrollera alla anslutningar från gasregulatorn och tillförselventilen till och inklusive anslutningen till grenrörsenheten (röret som går till brännarna). Såpbubblor bildas där ett läckage finns.
3. I händelse av ett läckage, stäng omedelbart av gastillförseln och dra åt den läckande armaturen.
4. Öppna åter gastillförseln och upprepa läckageprovet.
5. Om gas fortfarande läcker från en armatur, stäng av gastillförseln.

Utför alltid ett läckageprov efter varje byte av gasflaska.



1. Anslut slangen på regulatorn
2. Anslut slangen mellan gasflaskan och regulatorn

Använd inte grillen innan samtliga anslutningar läckageprovats och inte läcker.

4. Sidobrännare

För att på bästa sätt utnyttja gasen med minsta förbrukning bör följande punkter beaktas:

När brännaren har tänts, justera lågan efter dina behov från lägena "Maximum" till "Minimum".

Använd ett kokkärl av lämplig storlek (endast med plan botten) för respektive brännare

När innehållet i kokkärl börjar koka, vrid vredet till "Läge reducerad" (liten låga).

Täck alltid kokkärl med ett lock.

Vi föreslår att du använder kokkärl med \varnothing 20–24 cm.

Öppningarna under sidoborden är större, varför syre lätt kan nå brännaren och säkerställa jämn låga.

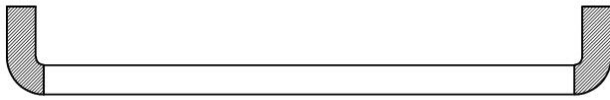
5. Varningar och säkerhetsanvisningar

Var god läs följande punkter innan du använder din gasgrill:

- Använd inte gasgrillen i händelse av ett gasläckage. Stäng av gastillförseln.
- Efter varje utförd anslutning, kontrollera alltid gasslangens anslutning med avseende på läckage med användning av tvålatten.
- Locket ska alltid vara öppet när brännaren är tänd.
- Använd grillvantar och stadiga långa grillredskap när du grillar.
- Förbered för en olycka eller brand. Ha i åtanke var förbandslådan och brandsläckarna är placerade och lär dig att använda dem.
- Håll elektriska kablar och gasslangen på avstånd från heta ytor.
- Försök inte koppla bort en gasarmatur på grillen eller gasregulatorn/flaskan när din gasgrill används.
- Iakttag försiktighet när du använder gasgrillen, och lämna aldrig grillen utan uppsikt när den används. Stäng ventilen på gasflaskan efter användning
- Värm inte öppnade matbehållare av glas eller metall på grillen. Tryck kan byggas upp, vilket kan medföra att behållaren exploderar med allvariga personskador eller skada på grillen som följd.
- Gasgrillen ska rengöras regelbundet, helst efter varje användning.

- Blockera inte brännarnas öppningar. Blockera inte ventilationsöppningarna.
- Var noga med att brännaröppningarna eller hålen i munstyckena inte skadas vid rengöring av brännare eller ventiler.

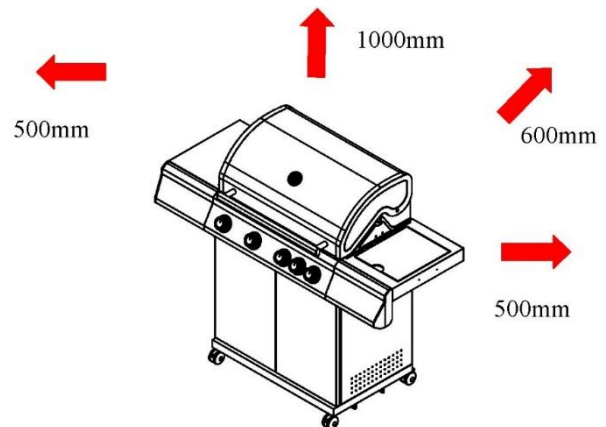
Använd inte denna apparat i ett garage eller annat slutet utrymme. **Apparaten ska hållas på avstånd från brännbara material**, m.m. Vi rekommenderar ett avstånd om minst 0,5 till 1,0 meter från brännbara material. **All modifiering av apparaten kan medföra fara.**



VARNING: De svarta områdena på handtaget (se ovanstående figur) blir heta när grillen används. **VAR FÖRSIKTIG!** Vidrör inte de svarta områdena.

Minsta avstånd från brännbara material ska vara:

Bakom – 600 mm
På sidorna – 500 mm
Över – 1 000 mm

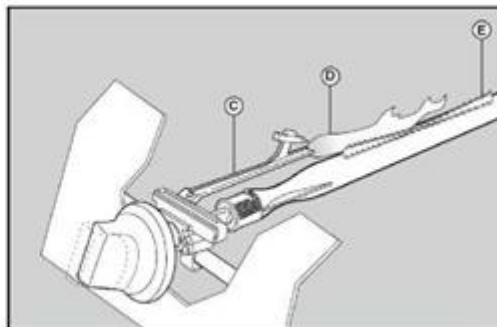
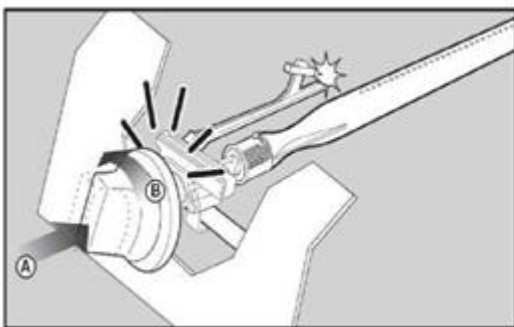


6. Tändning av grillen

Försiktighet: Locket måste alltid vara öppet när brännaren tänds!
Stå inte med ansiktet direkt över gasgrillen när du tänder den.

Att tända en pilotlåga:

1. Kontrollera att samtliga gaskranar står i läge "FRÅN" och vrid gasflaskans cylinderventil på regulatorn till läge "Till". För att alstra en gnista måste du trycka in gaskranen (A) och hålla den intryckt i 3–5 sekunder för att tillåta gasflöde och därefter vrida den moturs till läge "HÖG" (B). Gnistor alstras nu till brännarens tändrör (C). Du kommer att höra ett klickande ljud från tändaren och också se en orangefärgad låga från brännarens tändrör till vänster om brännaren (D).
2. Håll gaskranen intryckt i två sekunder efter "klicket", varvid gasen strömmar helt ner genom tändröret (E) och säkerställer tändningen.
3. När brännaren tänts kommer intelligande brännare att tändas när respektive gaskranar vrids till läge "HÖG".
4. Med gaskranen i läge "HÖG" ska brännarens låga vara längre än vid lägsta inställningen då den har orange färg. Vrid gaskranen helt moturs för lägsta inställning.
5. Om du har svårt att tända din gasgrill enligt ovanstående beskrivning ska du rådgöra med återförsäljaren.



Varning: Om brännaren ändå inte kan tändas, vrid brännarens gaskran till läge "FRÅN" och vänta 5 minuter så att gasen ventileras bort innan du försöker tända brännaren igen.

7. Förvaring

Din gasflaska måste förvaras på en väl ventilerad plats och måste kopplas bort från din gasgrill när den inte används. Säkerställ att du är utomhus och på avstånd från antändningskällor innan du kopplar bort gasflaskan från grillen. När du använder din gasgrill efter en längre tids förvaring ska du genomföra ett läckageprov och kontrollera att inga hinder finns i brännaren m.m. innan grillen används. Följ också rengöringsanvisningar för att säkerställa att grillen är säker.

Om gasgrillen förvaras utomhus ska du säkerställa att alla områden under frontpanelen är fria från hinder (insekter m.m.). Detta område måste hållas fritt eftersom hinder kan påverka förbrännings- och ventilationsluftens flöde.

8. Rengöringsanvisningar

Vi rekommenderar att underhåll utförs på gasgrillen var tredje månad.

Underhåll måste dock utföras minst en gång varje år. Att göra detta kommer att förlänga din gasgrills livslängd.

Gasgrillen är mycket lätt att rengöra. Följ helt enkelt dessa användbara tips för bekväm rengöring.

- Tänd brännaren och låt den brinna i 15 till 20 minuter. Spillt fett bränns bort från grillen och grillgallren. Säkerställ att enheten har kallnat innan du fortsätter.
- Gallren ska diskas regelbundet med diskmedel och vatten.
- Även lockets insida ska tvättas med diskmedel och vatten.
- Avlägsna hårt sittande smuts från gjutjärnsdelar med en metallborste, stålull eller skurdyna.
- Inspektera brännarna regelbundet med avseende på insekter eller spindlar som kan blockera gassystemet och hindra gasflödet. Rengör brännarrören noga och säkerställ att inget kan blockera dem. Vi rekommenderar att använda en piprensare vid rengöring av rören.
- All modifiering av denna utrustning kan medföra fara och är inte tillåtet.

9. Felsökning

Felsökning: Problem	Möjlig orsak	Lösning/Åtgärd
Brand i fett eller höga lågor ovanför grillytan	Fett har ansamlats på brännarna.	Stäng av gastillförseln. Låt locket stå öppet och låt lågorna brinna ut. När gasgrillen har kallnat, avlägsna eventuella matrester och fett från brännarna, fettbrickan, fettinsamlaren, grillgallren och andra ytor.
Gas läcker från en skadad slang	Skadad slang.	Stäng av gastillförseln. Byt den skadade slangen/ventilen/regulatorn. Kontrollera gasflaskan och anslutningarna med avseende på läckage.
Gasflaskan läcker	Mekaniskt problem till följd av långtidsförvaring eller missbruk.	Stäng av gastillförseln.
Gasflaskans ventil läcker	Gasflaskans ventil fungerar inte till följd av missbruk eller mekaniska problem.	Stäng av gastillförseln. Returnera gasflaskan till återförsäljaren.
Gasläckage mellan gasflaskan och regulatorns anslutning	Felaktigt utförd anslutning; lös anslutning; defekt gummiarmatur.	Stäng av gastillförseln, koppla bort regulatorn och kontrollera gummiarmaturen med avseende på skada; kontrollera gasflaskan med avseende på läckage och kontrollera regulatorns anslutning på gasflaskan.
Lågor kommer ut genom kontrollpanelen	Brand till följd av delvis blockerat brännarrör.	Stäng av brännarna och ventilen på gasflaskan. När branden släckts och enheten har kallnat, avlägsna brännaren och kontrollera den med avseende på spindelväv eller rost. Se kapitlet Rengöringsanvisningar angående detaljer.
Brännaren tänds inte med tändaren	Gasrelaterat problem: 1. Du försöker tända fel brännare. 2. Brännaren är inte ansluten till styrventilen. 3. Brännaren är igensatt. 4. Inget gasflöde. 5. Ånga har byggts upp i gasflaskans anslutningsmutter. 6. Anslutningsmuttern är inte korrekt ansluten till gasflaskans ventil.	1. Se handhavande- och underhållsanvisningarna för kontrollpanelen. 2. Säkerställ att ventilen är på brännarrörets insida. 3. Säkerställ att brännarröret inte är blockerat av spindelväv eller annat skräp. Se kapitlet Handhavande och underhåll angående detaljer. 4. Säkerställ att gasflaskan inte är tom. Om gasflaskan inte är tom, se Plötslig minskning av gasflödet. 5. Stäng av gaskranarna och koppla bort anslutningsmuttern från gasflaskan. Återanslut och försök igen. 6. Vrid anslutningsmuttern mellan ett halvt och ett kvarts varv.

Brännaren tänds inte med tändaren	Elektriskt problem: 1. Bruten elektrood, synbar gnista. 2. Elektrodspetsen är felplacerad. 3. Ledaren och/eller elektroden är täckta av matrester. 4. Lösa eller bortkopplade anslutningar. 5. Kortslutning i ledarna (gnistor) mellan tändaren och elektroden. 6. Knappen sitter fast, vilket förorsakar gnistor mellan tändaren och elektroden.	1. Byt elektroden. 2. Elektrodspetsen ska vara riktad mot brännarens öppningar. Avståndet ska vara 3,2–4,8 mm. Justera om så erfordras. 3. Rengör ledarna och/eller elektroden med en bomullspinne som fuktats med ett rengöringsmedel. 4. Återanslut ledarna eller byt elektroden/ledarna. 5. Byt tändarens ledare. 6. Byt tändaren. 7. Kontrollera kabelns isolering och anslutning. Byt kabeln om isoleringen är skadad.
Brännaren kan inte tändas med en tändsticka.	1. Se avsnittet Gasrelaterade problem på föregående sida. 2. Tändstickan hanteras inte korrekt.	1. Se kapitlet Handhavande och underhåll angående detaljer.
Plötslig minskning av gasflödet eller svag låga.	Fettansamling. Kött med mycket fett. För hög låga från brännaren.	Rengör brännarna och grillens insida. Skär bort överflödigt fett före grillningen
Lågan slocknar	Kraftig eller byig vind. För liten mängd gas i flaskan. Gasflödesventilen har löst ut.	Placera grillens framsida mot vinden eller justera lågan. Fyll gasflaskan. Se avsnittet Plötslig minskning av gasflödet.
Lågan slocknar	Kraftig eller byig vind. För liten mängd gas i flaskan. Gasflödesventilen har löst ut.	Placera grillens framsida mot vinden eller justera lågan. Fyll gasflaskan. Se avsnittet Plötslig minskning av gasflödet.
Ihållande brand i fett	Fett droppar ner på brännarna.	Ställ gaskranarna i läge FRÅN. Stäng av gastillförseln från gasflaskan. Stäng locket och vänta tills branden har slocknat. Ta ut och rengör alla delar när grillen har kallnat.
Baktändning (brand i brännarrören)	Brännaren och rören är igensatta.	Ställ gaskranarna i läge FRÅN. Rengör brännaren och/eller rören. Se Handhavande- och underhållsanvisningarna angående rengöring av brännarna
Brand	Fettansamling. Kött med mycket fett. För hög låga från brännaren.	Rengör brännarna och grillens insida. Skär bort överflödigt fett före grillningen. Justera (sänk) temperaturen.
En brännare tänds inte från de andra brännarna	Fettansamling eller matrester i grenröret.	Rengör grenröret med en stålborste.

Om ovanstående åtgärder inte löser problemet, rådgör med din återförsäljare.

10. Säkerhetsråd för gasgrill

Placera gasgrillen på ett säkert och horisontalt underlag, på avstånd från brännbara material såsom trästaket eller överhängande trädgrenar.

Använd aldrig gasgrillen inomhus!

Flytta inte gasgrillen när den är tänd, och lämna den inte utan uppsikt.

Håll barn och sällskapsdjur på säkert avstånd från gasgrillen.

Ha en brandsläckare tillgänglig.

Gasgrillen blir het under användningen. Hantera därför lock m.m. med handskar.

Säkerställ att apparaten har kallnat helt innan den ställs undan till förvaring.

Endast för användning utomhus!

Läs anvisningarna noga innan du använder grillen.

Åtkomliga delar kan bli mycket heta. Håll små barn på avstånd!

Flytta inte gasgrillen under användningen.

Stäng ventilen på gasflaskan efter användningen.

All modifiering av denna apparat kan medföra fara och är inte tillåtet.

11. Garanti

Garantin för denna produkt gäller i 1 år från inköpsdatum.

Garantin förverkas om produkten används för andra ändamål än det avsedda eller om produkten

används för kommersiellt/yrkesmässigt ändamål eller för uthyrning.
Garantin täcker inte skador som orsakats av normalt slitage och skador som uppstått till följd av felaktig förvaring.
Kontakta din återförsäljare angående garantiärenden.

12. Miljöskydd

När man förstör produktförpackningen bör man följa, beroende på materialet, de instruktioner som givits av den lokala avfallshanteringen och återvinningen.

Utrustningen skall inte förstöras tillsammans med blandat avfall.

Edututor Oy Kannistontie 5, 36220 Kangasala, Finland



UDENDØRS GASGRILL 6+1

VEJLEDNING TIL BRUG OG VEDLIGEHOLDELSE

Vare 8340



TEKNISK DATA

		Edututor Kannistontie 5 36220 Kangasala, Finland		Gasgrill PIN-NUMMER 2531CS-0116 SERIENUMMER G8611-S/8924/PO8854		
Mållande	Gasklass	Gastype og forsyningstryck	Hoved brænder	Sidebrænder	Bagbrænder	6 brænder + SB + BB
			Dyse dia Ø	Dyse dia Ø	Dyse dia Ø	Samlede nominelle varmeinput (Hs)
BE, CY, DK, EE, FI, HU, LT, NL, NO, SE, SI, SK, RO, HR, TR, BG, LU, MT	I3B/P (30)	Butan/propan 30 mbar	0.90 mm	0.85 mm	0.90 mm	27.7 kW / 2017 g/h

GASGRILLEN ER KUN BEREGNET TIL UDENDØRS BRUG!
VIGTIGT! LÆS ALLE INSTRUKTIONER OG VEJLEDNINGER FØR BRUG AF DENNE ENHED!
GEM DISSE INSTRUKTIONER TIL FREMTIDIG BRUG!
DET ER FORBUDT AT BETJENE ENHEDEN PÅ ANDRE MÅDER END DE HERI ANGIVNE!
IKKE TIL PROFESSIONEL BRUG!

VIGTIGT

Læs alle instruktioner og brugsvejledninger før betjening af denne enhed.

Instruktionerne reducerer risikoen for personskade.

Manglende overholdelse af instruktionerne kan resultere i brand eller beskadigelse af produktet.

Ejeren er ansvarlig for at sikre, at grillen bliver korrekt monteret og installeret og holdt i god stand. Manglende overholdelse af denne vejledning kan føre til ejendomsbeskadigelse og/eller personskade.

ADVARSLER

Børn over 8 år med fysiske, sensoriske eller mentale handicap eller uerfarne personer må kun bruge enheden under opsyn eller hvis de er blevet korrekt vejledt i at bruge produktet på sikker vis og hvis de forstår de farer, der er forbundet med brug af enheden.

Lad ikke børn lege med enheden. Hold børn på under 3 væk fra enheden, med mindre de er under konstant opsyn.

Lad ikke børn rengøre den eller på anden vis have noget at gøre med enheden uden opsyn.

Bemærk: Visse dele af enheden kan blive meget varme og forårsage forbrændinger. Vær særlig forsigtig, når børn eller personer med handicap befinder sig i nærheden af enheden.

Bør kun bruges udendørs.

Læs alle instruktioner, inden du bruger apparatet.

Tilgængelige dele kan være meget varme, hold små børn på afstand.

Flyt ikke apparatet, når det er i brug.

Sluk for gasforsyningen på gascylinderen efter brug.

Enhver ændring af apparatet kan være farlig.

Dele, som er forsegledede af producenten eller dennes agent, må ikke ændres af brugeren.

Bemærk:

Nogle dele af dette apparat kan blive meget varme, vær særligt opmærksom når børn eller ældre er til stede.

For din sikkerhed:

Tænd aldrig en gasgrill med benzin eller andre lignende væsker!

Forslag: brugeren bør ikke ændre den montering, som producenten har pakket.

Slut trykregulatoren og slangen korrekt til enheden.

Opbevar ikke gasbeholderen i grillvognen, når den er i brug. Gasbeholderen må ikke placeres inden i enheden.

HVIS DU LUGTER GAS:

- Sluk for gasforsyningen.
- Sluk for alle brændere.
- Udluft området.
- Tjek, om der er lækager, som beskrevet i denne vejledning.
- Hvis lugten ikke forsvinder, skal du straks kontakte gasleverandøren.

SIKKERHEDSFORANSTALTNINGER

Test alle forbindelser for lækager, hver gang der udskiftes beholdere og før brug.

Brug aldrig tændstikker eller en flamme til at tjekke, om der er lækager.

Undlad at opbevare eller bruge benzin eller andre brændbare dampe eller væsker i nærheden af enheden.

Undlad at opbevare andre gasflasker i nærheden af enheden.

MONTERING

ADVARSEL: Selvom der er blevet truffet foranstaltninger for at fjerne skarpe kanter under produktionen, bør alle dele håndteres forsigtigt med henblik på at undgå personskade.

Nødvendigt værktøj: Skruetrækker eller en flad skruetrækker/nøgle.

Læs alle instruktioner omhyggeligt før brug. Find et rummeligt, rent område til montering af grillen.

Gennemgå listen over dele og diagrammet, hvis du er i tvivl. Nogle dele af grillen er store. Grillen bør monteres af to personer.

BEMÆRK: Sørg for, at alle plastikdæksler er fjernet før montering!

Denne vejlednings indhold:

1. Montering
2. Forberedelse
3. Installation
4. Brænder på siden
5. Advarsler og sikkerhedspunkter
6. Tændingsinstruktioner
7. Opbevaring
8. Rengøring
9. Fejlfinding
10. Råd om sikkerhed
11. Garanti
12. Miljøbeskyttelse

1. Montering

Sørg for, at din grill er ordentligt samlet. Detaljerede samlingsinstruktioner er pakket med hver grill, hvilket giver specifikke samlingsprocedurer for hver model. Før disse instruktioner grundigt for at sikre korrekt og sikker samling af grillen.

Pas på: Selvom vi gør os umage for at sikre, at samlingsprocessen er så nem som muligt, er det naturligt sådan med fabrikerede ståldele, at hjørner og kanter kan skabe snit, hvis disse håndteres forkert under samlingsprocedurerne. Vær forsigtig, når dele håndteres under samling. Det anbefales stærkt, at du beskytter hænderne med arbejdshandsker.

2. Forberedelse

For at bruge denne grill skal der anvendes flaskegas og de korrekte gastrykregulatorer. Kontrolhederne skal være i overensstemmelse med den nyeste version af EN16129 og de nationale forskrifter.

Dette apparat må kun bruges med en godkendt slange og regulator.

Råd om energibesparelse

- Reducer tiden, låget er åbent.
- Sluk gasgrillen, så snart tilberedelsen er afsluttet.
- Opvarm kun gasgrillen i 10 til 15 minutter. (Undtagen ved første brug)
- Brug ikke en højere indstilling end der kræves.

3. Installation

Efter køb af din gasflaske vil du være klar til at sætte din sammen med din gasgrill. Slut slangen og regulatoren til gasbeholderen på den højre side af gasgrillen. Slangediameteren er 8 mm.

- a) **Når gasflasken skiftes, skal den bæres væk fra alle former for antændelse.** Placer gasflasken ved siden af din gasgrill, ikke under den, og vær opmærksom på, at flasken holdes væk fra varme og opbevares på en sikker position.
- b) Når du er klar til at bruge din gasgrill, skal du indsætte regulatoren i gasflaskens ventil og kontrollere, at den sidder godt fast. **Slangens længde må ikke overskride 1,5 m.**



Advarsel: Før du forsøger at tænde din gasgrill, skal du se antændingsinstruktionerne og advarsels-/sikkerhedspunkterne.



Advarsel: Test altid gaslinjen for lækage ved forbinderen med sæbevand, når forbindelserne afsluttes. Sådan afkobles en gasflaske

Tjek slangen før hver brug og søg efter knæk, ridser eller nogen former for slid. Hvis slangen ser ud til at være beskadiget på nogen måde, skal du ikke forsøge at bruge din gasgrill.

Når du skifter gasflasken, skal du sørge for, at der ikke er nogen antændingskilder i nærheden, f.eks. cigaretter, åbne flammer, etc. Sørg for at apparatet er slukket.

Sørg for, at slangen ikke bliver udsat for sning, hvilket vil påvirke gastilførslen, når du bruger din gasgrill.

Slangen må heller ikke have unødvendig spænding og må ikke røre nogen dele af gasgrillen, som kan være varme.

Beholderudskiftning

Beholderen har en regulator med en kontakt til at slå gasforsyningen til eller fra.

Tilslutning/frakobling af gasbeholderen

Se instruktionerne angående lavtryksregulatoren.

GENERELT

Selvom alle gasforbindelser på grillen er lækagetestet på fabrikken forud for forsendelse, skal et komplet gastjek udføres ved installation grundet mulig fejlhåndtering i forsendelse eller hvis ekstra tryk er blevet påført uden vidende. Tjek jævnligt hele systemet for lækage ved at følge nedenstående procedure. Hvis lugten af gas opdages på noget tidspunkt skal du øjeblikkeligt tjekke systemet for lækage.

FØR TEST

Sørg for at al emballagemateriale fjernes fra grillen inkl. plastikstrips.

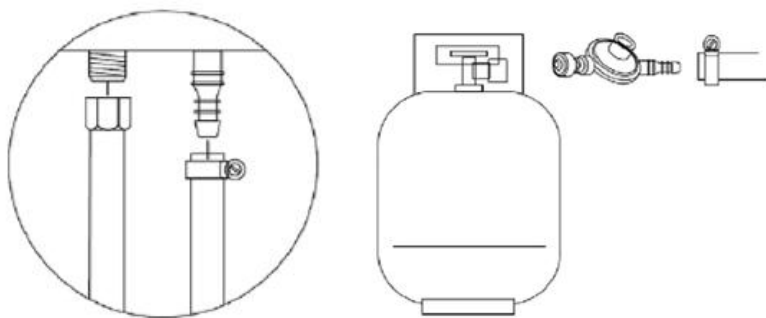
Foretag ALDRIG lækagetest med åben ild.

Lav en sæbeopløsning af 1 del flydende opvaskemiddel og 1 del vand. Du skal bruge en sprayflaske, børste eller klud til at påføre opløsningen på samlingerne.

AT TESTE

1. Sørg for at tjekke, at ventilerne er i OFF-positionen (slukket), og tænd for gastilførslen.
2. Tjek alle forbindelser for gasregulatoren og tilførselsventilen op til og med forbindelsen til manifoldrørsamlingen (røret der løber til brænderne). Sæblebobler kommer frem der, hvor en lækage er til stede.
3. Hvis en lækage er til stede, skal du øjeblikkeligt slukke gastilførslen og stramme utætte samlinger.
4. Tænd for gassen igen og tjek igen.
5. Kommer gaslækagen fra nogen andre samlinger, sluk da for gasforsyningen.

Tjek altid for lækager efter hver udskiftning af gastank.



1. Monter regulatorslange
2. Monter gastank og regulatorslange

Brug ikke grill-enheden, før alle forbindelser er blevet tjekkede og ikke lækker.

4. Brændere på siden

For at få maksimalt udkast med minimum forbrug af gas, er det praktisk at være opmærksom på følgende punkter:

Når brænderen er blevet tændt, juster da flammen i følge dine behov, fra "Maximum"- til "Minimum"-position.

Brug en passende størrelse pande (kun flad bund) til hver brænder.

Når indholdet i panden begynder at koge, drej da knappen til "Reduced rate"-position (lille flamme).

Sæt altid låg på panden.

Det anbefales at bruge pander størrelse Ø 20-24 cm.

Under sidebordene har brænderhøjden større åbninger, og ilt kan nemt nå hver brænder og sikre jævn ild.

5. Advarsler og sikkerhedspunkter

Læs venligst alle punkter, før du bruger din gasgrill:

- Betjen ikke gasgrillen, hvis der er en gaslækage. Sluk for gasforsyningen.
- Efter hver tilslutning skal gasslangeforbindelsen altid ses efter for lækager; brug hertil sæbe og vand.
- Låget skal altid være åbent, når en brænder er tændt.
- Brug grillhandsker og solidt, langskaffet grilludstyr, når der grilles.
- Forbered dig på en ulykke eller brand. Find ud af, hvor førstehjælpskasser og brandslukker opbevares, og hvordan man bruger dem.
- Hold elledninger og gasforsyningsslangen væk fra varme overflader.
- Forsøg ikke at frakoble nogen gassamlinger på gasgrillen eller gasregulatoren/-flasken, hvis din gasgrill bliver brugt.
- Forsigtighed tilrådes, når din gasgrill betjenes. Du bør aldrig efterlade den uden opsyn, når den er i brug. Sluk for gasforsyningen på gasbeholderen efter brug
- Undlad at opvarme en uåbnet glaskrukke eller en metaldåse på grillen. Der kan blive opbygget tryk, som forårsager eksplosion og alvorlig personskade eller beskadigelse af grillen.
- Gasgrillen skal rengøres regelmæssigt (anbefalet efter hver brug).
- Bloker ikke brænderåbningerne. Bloker ikke udluftningshullerne.
- Pas på ikke at beskadige brændernes tilslutninger eller venturi-/dyseåbninger, når brænderne eller ventilerne rengøres.

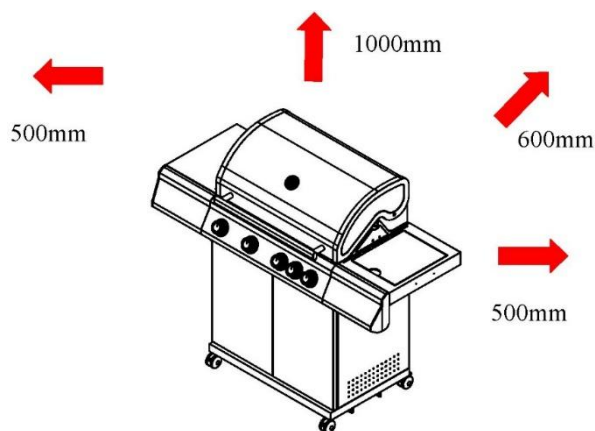
Forsøg ikke at bruge dette apparat i en garage eller i et indelukket område. **Apparatet skal holdes væk fra brændbare materialer**, osv. Vi anbefaler at holde en afstand på mindst 0,5 til 1,0 meter til brændbare materialer. **Enhver ændring af apparatet kan være farlig.**



ADVARSEL: Det sorte håndtagsområde (se ovenstående billede for reference) bliver varmt, når gasgrillen er i brug, **VÆR FORSIGTIG!** Rør ikke det sorte område.

Minimumsafstanden til brændbare materialer skal være:

Bagved - 600 mm
Sider - 500 mm
Top - 1000 mm



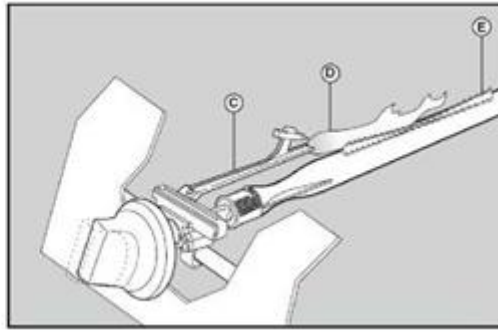
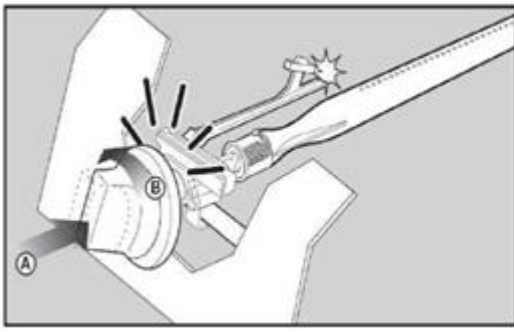
6. Antændingsinstruktioner

Pas på: Låget skal være åbent, når brænderen tændes!

Stå ikke med dit ansigt direkte over gasgrillen, når den tændes.

Kontrolantændelse af vågeblus:

1. Med alle gaskontroller på gasgrillen i "OFF"-positionen (slukket), drejes gascylinderens ventil på "ON"-positionen (tændt) på regulatoren. For at skabe en gnist skal du trykke kontrolknappen (A) ind og holde den inde i denne position i 3-5 sekunder for at lade gassen flyde og drej derefter mod uret til "HIGH" (høj) (B). Det kan antænde brænderens antændingsrør (C). Du vil høre et "klik" fra tænderen, og du vil også se en orange flamme fra brænderens tændingsrør på venstre side af brænderen (D).
2. Fortsæt med at holde brænderens kontrolknap i to sekunder efter "klikket", dette vil lade gassen flyde helt ned i brænderens rør (E) og sikre antænding.
3. Når brænderen er tændt, vil tilstødende brændere tændes, når deres kontrolknapper drejes til "HIGH" (høj)
4. Ved indstillingen "High" bør brænderens flamme være længere end den mindste orange flamme. Drej gaskontrollen helt modsat uret for den mindste indstilling.
5. Skulle du have nogen problemer med at tænde din gasgrill efter at have fulgt ovenstående trin, kontakt da din forhandler for rådgivning.



Advarsel: Hvis brænderen stadig ikke tændes, drej da dens kontrolknop til "OFF" (slukket) og vent 5 minutter på, at gassen forsvinder, før der tændes igen.

7. Opbevaring

Din gasflaske skal opbevares i et godt ventileret område og skal afkobles fra din gasgrill, når den ikke bruges. Sørg for at du er udendørs og væk fra antændelseskilder, før du forsøger at afkoble din gasflaske fra din gasgrill. Når du bruger gasgrillen efter en periode med opbevaring, sørg da for at tjekke for gaslækage og tjekke for forhindringer i brænderen etc. før brug. Følg også rengøringsinstruktionerne for at sikre, at gasgrillen er sikker. Hvis gasgrillen opbevares udendørs, sørg da for at tjekke at alle områder under frontpanelerne er fri for forhindringerne (insekter, etc.). Dette område skal holdes fri, da det kan påvirke, hvordan forbrænding eller ventilationsluft flyder.

8. Rengøringsinstruktioner

Vedligeholdelse anbefales hver 90 dage for din gasgrill, men det er absolut nødvendigt at udføre vedligeholdelse mindst en gang om året. Ved at gøre dette forlænger du levetiden for din gasgrill. Din gasgrill er nem at rengøre med minimum anstrengelse, følg blot disse praktiske tips for nem rengøring.

- Lad brænderen være tændt i 15 til 20 minutter. Spildt fedt brænder bort fra grillen og grilloverfladerne. Sørg for, at enheden er kold, inden du fortsætter.
- Gitrene skal rengøres regelmæssigt med sæbe og vand.
- Indersiden af grillens låg bør også vaskes med vand og sæbe.
- Fjern genstridigt snavs med en stålborste, ståluld eller skuresvamp fra støbejernsdelene.
- Se regelmæssigt brænderne efter for insekter og edderkopper, der kan tilstoppe gassystemet og forhindre gastilstrømningen. Gør brænderrørene grundigt rent og sørg for, at der ikke er noget, som kan tilstoppe dem. Vi anbefaler at bruge en piberenser til at rengøre rørområdet.
- Enhver ændring af dette udstyr kan være farlig og er ikke tilladt.

9. Fejlfinding

Fejlfinding: Problem	Mulig årsag	Forebyggelse/løsning
Fedtbrand eller for kraftige flammer oven over grillen	Fedt ansamlet på brænderne.	Sluk for gasbeholderen. Lad låget være åbent, og lad flammerne dø ud. Når grillen er kølet ned, skal du fjerne madrester og overskydende fedt fra brænderne, fedtbakken, fedtopsamlere, stegepladen og andre overflader.
Der lækker gas fra en beskadiget slange	Beskadiget slange.	Sluk for gasforsyningen fra gasbeholderen. Udskift den beskadigede slange/ventil/regulator. Se gasbeholderen og forbindelserne efter for lækager.
Lækage af gasbeholder	Mekanisk problem pga. lang opbevaringsperiode eller misbrug	Sluk for gasbeholderventilen.
Lækage i gasbeholderventil	Funktionsfejl i beholderventil pga. misbrug eller mekanisk problem.	Sluk for gasbeholderventilen. Indlever gasbeholderen til forhandleren.
Gaslækage mellem gasbeholderen og regulatorforbindelsen	Forkert forbindelse; løs forbindelse; defekt gummisamling.	Sluk for gasbeholderventilen, frakobl regulatoren og se gummisamlingen efter for skader; se gasbeholderen efter for lækager; og kontrollér regulatorens forbindelse til gasbeholderen.
Der kommer flammer gennem kontrolpanelet	Delvis blokering af tilførselsrøret til brænderen har ført til en brand.	Sluk for brænderne og gasbeholderventilen. Når branden er blevet slukket, og enheden er kølet ned, skal brænderen fjernes og kontrolleres for edderkoppespid eller rust. Yderligere detaljer findes i afsnittet 'Rengøringsinstruktioner' i denne vejledning.

Brænderen tændes ikke med tænderen	Gasrelateret problem: 1. Du tænder den forkerte brænder 2. Brænderen er ikke forbundet til kontrolventilen 3. Brænderen er tilstoppet 4. Ingen gastilstrømning 5. Damp har samlet sig i gasbeholderen koblingsmøtrik 6. Koblingsmøtrikken er ikke sluttet korrekt til gasbeholderventilen.	1. Instruktioner findes på kontrolpanelet og i afsnittet om brug og vedligeholdelse. 2. Sørg for, at ventilen er inden for området med brænderrørene. 3. Sørg for, at brænderrørene ikke bliver blokeret af edderkoppespind eller andet. Detaljer findes i afsnittet 'Brug og vedligeholdelse' i denne vejledning. 4. Kontrollér, at gasbeholderen ikke er tom. Se under 'Pludseligt fald i gastilstrømning', hvis gasbeholderen ikke er tom. 5. Sluk for kontrolknapperne og frakobl koblingsmøtrikken fra gasbeholderen. Gentilslut og prøv igen. 6. Drej koblingsmøtrikken mellem en halv omdrejning og en kvart omdrejning.
Brænderen tændes ikke med tænderen	Elektrisk problem: 1. Ødelagt elektrode, gnister forekommer 2. Elektrodespidsen er placeret forkert 3. Ledningen og/eller elektroden er dækket af madrester 4. Løse eller frakoblede ledninger 5. Kortslutning i ledningerne (gnister) mellem tænderen og elektroden 6. Knappen sidder fast og forårsager gnister mellem tænderen og elektroden	1. Udskift elektroden. 2. Elektrodespidsen bør vende mod brænderåbningen. Afstanden bør være 3,2–4,8 mm. Juster om nødvendigt. 3. Rengør ledningerne og/eller elektroden med en vatpind dyppet i desinfektionsmiddel. 4. Gentilslut ledningerne eller udskift elektroden/ledningerne. 5. Udskift tænderledningen. 6. Udskift tænderen. 7. Kontrollér kabelisolationen og forbindelsen. Udskift ledningerne, hvis isolationen er beskadiget.
Brænderen kan ikke tændes med en tændstik.	1. Se 'Gasrelateret problem' på forrige side. 2. Tændstikken anvendes forkert.	1. Detaljer findes i afsnittet 'Brug og vedligeholdelse' i denne vejledning.
Pludseligt fald i gastilstrømning eller lav flamme	Ansamling af fedt. Kød med meget fedt. Brænderen er indstillet for højt.	Rengør brænderne og indersiden af grillen. Skær overskydende fedt væk, inden der grilles
Flammen går ud	Kraftig vind eller vindstød. Lav gasbeholdning. Gastilstrømningsventilen blev udløst.	Placer forsiden af grillen mod vinden eller juster flammen. Fyld gasbeholderen. Se afsnittet 'Pludseligt fald i gastilstrømning'.
Flammen går ud	Kraftig vind eller vindstød. Lav gasbeholdning. Gastilstrømningsventilen blev udløst.	Placer forsiden af grillen mod vinden eller juster flammen. Fyld gasbeholderen. Se afsnittet 'Pludseligt fald i gastilstrømning'.
Kontinuerlig fedtbrand	Fedt drypper på brænderne.	Sluk for kontrolknapperne. Sluk for gasforsyningen fra gasbeholderen. Luk låget, og vent på, at branden går ud. Når grillen er kølet af, skal du tage alle delene ud og rengøre dem.
Flammetilbageslag (brand i brænderrør)	Brænderen og rørene er stoppet til.	Sluk for kontrolknapperne. Rengør brænderen og/eller rørene. Se afsnittet angående rengøring af brænderen i Vedligeholdelses- og brugsinstruktionerne
Flammer	Ansamling af fedt. Kød med meget fedt. Brænderen er indstillet for højt.	Rengør brænderne og indersiden af grillen. Skær overskydende fedt væk, inden der grilles. Juster (sænk) temperaturen.
En brænder bliver ikke tændt af andre brændere	Ansamling af fedt eller madrester i overførselsrøret.	Rengør overførselsrøret med en stålbørste.

Hvis ovenstående trin ikke løser problemet, bedes du kontakte den forretning, hvor du købte gasgrillen.

10. Gasgrill sikkerhedstips

Stil din gasgrill på en sikker, nivelleret overflade, væk fra brændbare ting såsom træstakitter eller overhængende trægrene.

Brug aldrig din gasgrill indendørs!

Når den er tændt, må du ikke forlade din gasgrill eller efterlade den uovervåget.

Hold børn og kæledyr på en sikker afstand af gasgrillen.

Hav en brandslukker inden for rækkevidde.

Gasgrillen bliver varm, når den er i brug, så håndter låg etc. med handsker.

Sørg for at apparatet er kølet helt af før opbevaring.

Brug kun udendørs!

Læs alle instruktioner, inden du bruger gasgrillen.

Tilgængelige dele kan være meget varme, hold små børn på afstand!

Flyt ikke gasgrillen, når den er i brug.

Sluk for gasforsyningen på gascylinderen efter brug.

Enhver ændring af dette apparat kan være farlig og er ikke tilladt.

11. Garanti

Garantien for dette produkt er 1 år fra købsdatoen.

Garantien ugyldiggøres, hvis produktet bliver brugt til andre formål end dets oprindelige formål, eller hvis produktet bruges til kommerciel/professionel brug eller til udlejning.

Garantien dækker ikke skade, der er opstået fra naturlige forhold, eller beskadigelse, der er opstået fra forkert opbevaring.

Kontakt din forhandler i forbindelse med garantispørgsmål.

12. Miljøbeskyttelse

Ved ødelæggelse af produktemballagen skal instruktionerne fra den lokale affaldshåndterings- og genbrugsafdeling følges afhængigt af materialet.

Udstyret må ikke destrueres sammen med blandet affald.

Edututor Oy Kannistontie 5, 36220 Kangasala, Finland